

Video Security

Housings | eneo CANDID Housings

VHU-260/230V

Candid weatherproof Housing (260mm),
with Heater and Thermostat, 230VAC

Art-No. 79493



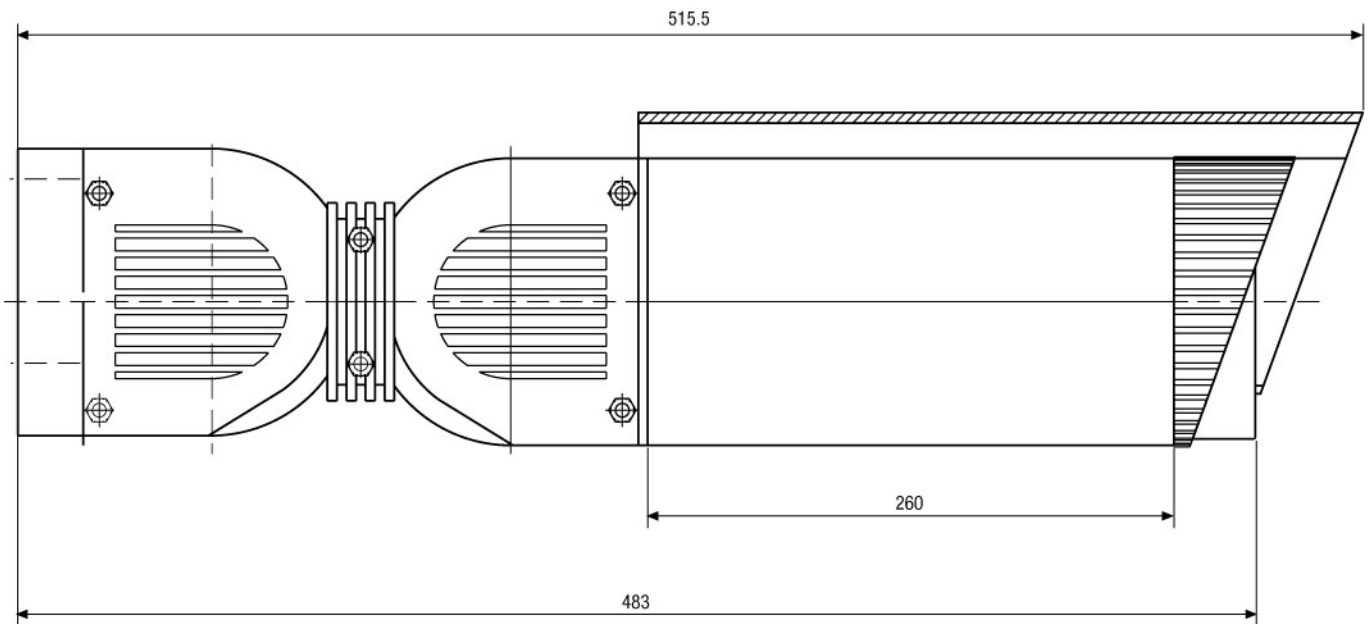
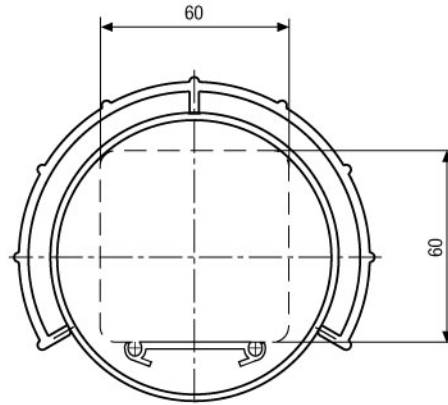
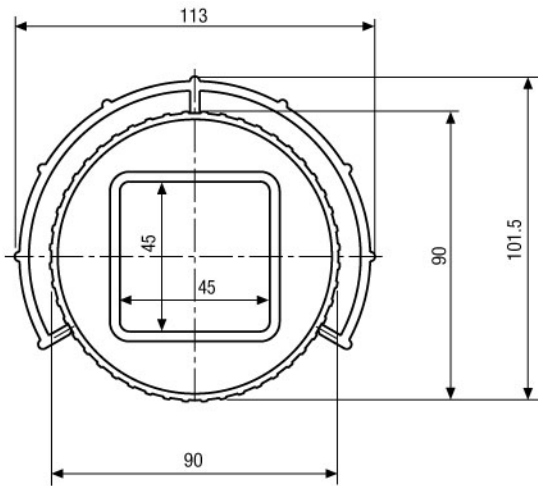
Features

Camera Weatherproof Housing for Small Cameras
Integrated Ball Point Head for Smooth Adjustment
For Wall/Ceiling and Upright Mounting
For Cameras with 230VAC Power Input
Insulated Camera Mounting

4 Cable Entries
Fully Hidden Cable Routing
230V Window Heater
Index of Protection: IP66/67

Specifications

Maximum installation length	260 mm
Cable entry	M25 x1.5 mm
Window heater	230 V, thermostatically controlled
Housing	Aluminium w. plastic front and back (Makrolon)
Thermostat	On: +16°C, Off: +20°C
Sunshield	Yes
Protection rating	IP 66/67
Colour	RAL 9016 (Sunshield and body) RAL 7035 (Front and back) RAL 7037 (Inner ball, fixing ring)
Dimensions (HxWxD)	See drawing
Weight	1.4 kg
Parts supplied	3mm Allen wrench key, Bag of fixing screws



Maße/Dimensions: mm

VIDEOR TECHNICAL E. Hartig GmbH
 Carl-Zeiss-Straße 8 · 63322 Rödermark · Germany
 Telefon +49 (0) 60 74/8 88-0 · Telefax +49 (0) 60 74/8 88-100
 info@videortechnical.com · www.videortechnical.com

