

VHU-165/12V

Home | Security | Housings | for Boxed Cameras

VHU-165/12V
Candid weatherproof Housing (165mm),
with Heater and Thermostat, 12VDC

Art-Nr. 79466



Main Features

Camera Weatherproof Housing for Small Cameras
Integrated Ball Point Head for Smooth Adjustment
For Wall/Ceiling and Upright Mounting
For Cameras with 12VDC, 24VAC Power Input
Window Heater: 12V

Insulated Camera Mounting
Cable Entry: M25X1.5mm
Fully Hidden Cable Routing
Protection Rating: IP66/67

Specifications

Series	eneo Candid
Maximum installation length	165
Window screen	PC (Lexan)
Clear Shield	no
Window heater	yes, 12V / 7watts
Blower	no
Wiper	no
Supply voltage	12VAC/DC
Sunshield	yes
Hidden cable management	yes
Cable entry	M25 x1.5mm cable gland with 4 entries for different cable diameters
Integrated wall mount	yes
Protection rating	IP66/67
Housing	outdoor

VHU-165/12V

(Continuation Specifications)

Housing material	aluminium
Colour (housing)	RAL9016
Colour	(Sunshield and body) RAL7035 (Front and back) RAL7037 (Inner ball, fixing ring)
Dimensions (HxWxD)	see drawing
Weight	1.2kg
Parts supplied	3mm Allen key, Bag of fixing screws

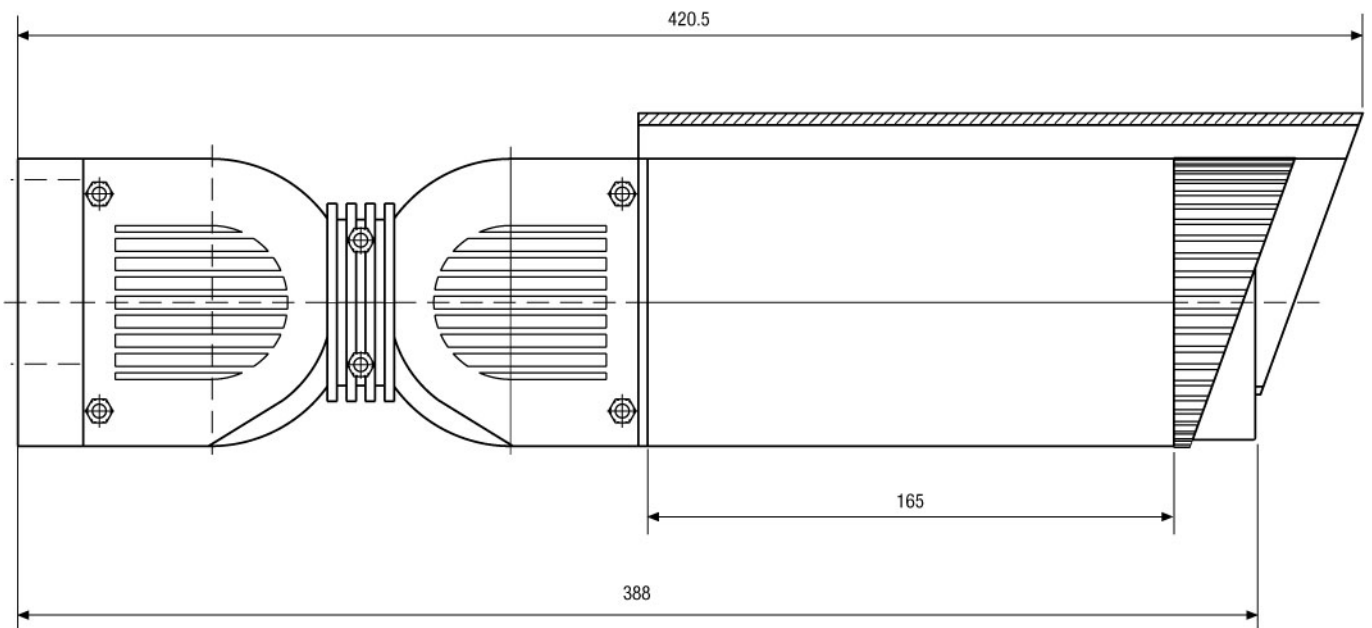
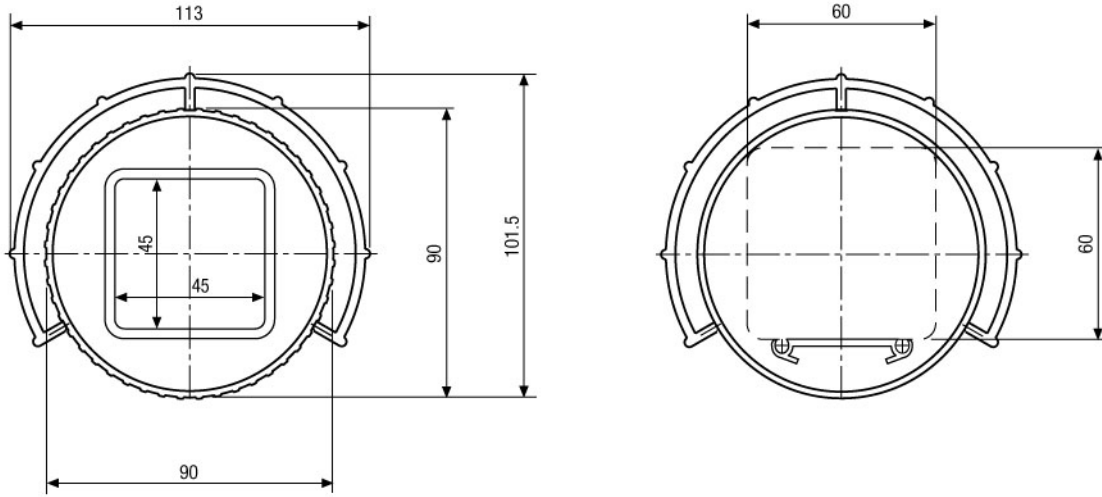
Optional accessories

73146	PM-41	Pole Mount Adapter for Housing Series Candid, RAL7035
79499	VHU-AKS/12-24V	Connecting Cable Set 12VDC/24VAC/Video for Candid Housing
73179	PM-42	Pole Mount Adapter, for Housing Series Candid, W3 Plug&Play
79494	VHU-NT1	Power Supply Unit for Candid Housing Series 230VAC/12VDC&14VAC(Camera/Heater)

VHU-165/12V

Home | Security | Housings | for Boxed Cameras

Technical drawing



Maße/Dimensions: mm

VIDEOR E. Hartig GmbH, Carl-Zeiss-Straße 8, 63322 Rödermark, Germany -
www.videor.com

