

Video Security

Housings | eneo CANDID Housings

VHP-2

Candid Junior II weatherproof Housing with integrated Wall Mount, Folding Tube

Art-No. 79576



Features

Camera Weatherproof Housing (32x32mm Brd.
For Universal Applications
For Cameras with upto 24 V Power Supply

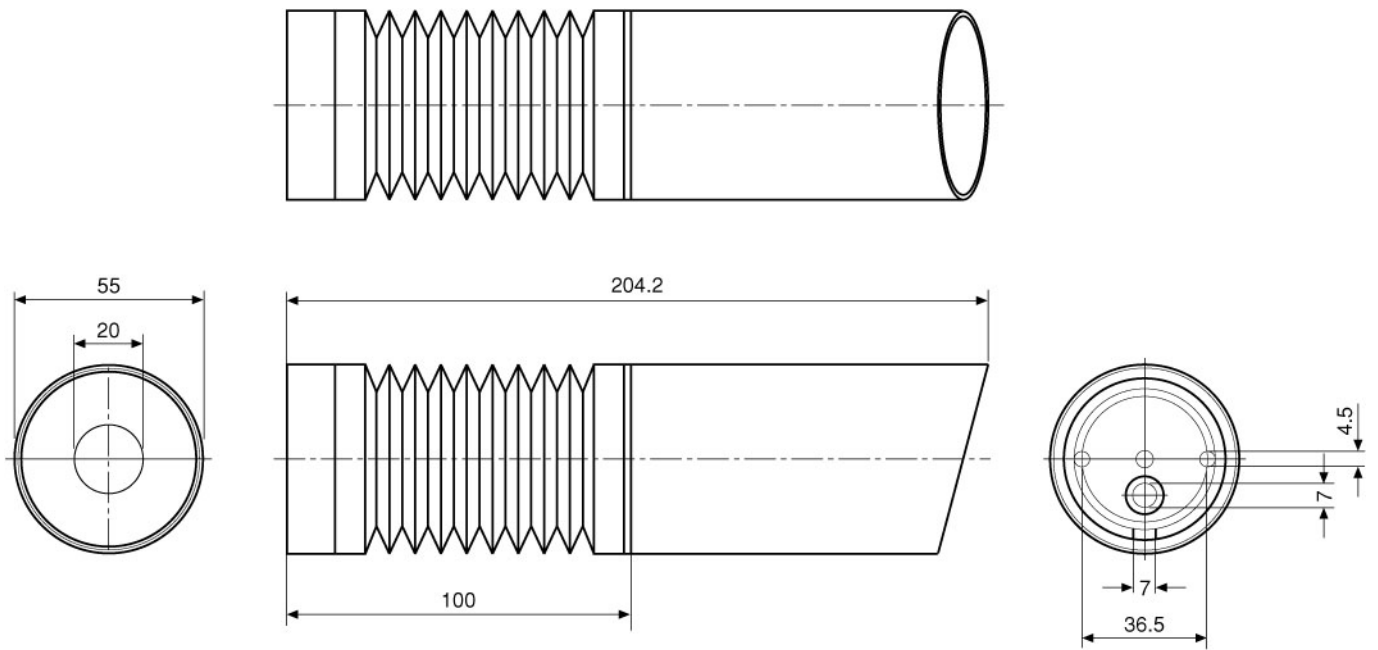
Insulated Camera Mounting
Protected Pan and Tilt Fixing Mechanism
Index of Protection: IP 67

Specifications

Maximum installation length	70 mm
Cable entry	Cable gland for a multi core cable
Window heater	No
Housing	Aluminium w. glass front screen
Sunshield	No
Protection rating	IP 67
Colour	Anodized aluminium (CO)
Dimensions (HxWxD)	See drawing
Weight	Approx. 450 g
Parts supplied	3mm Allen wrench key, Bag of fixing screws

Product Information

eneo camera assembling: upon request



Maße/Dimensions: mm

VIDEOR TECHNICAL E. Hartig GmbH
 Carl-Zeiss-Straße 8 · 63322 Rödermark · Germany
 Telefon +49 (0) 60 74/8 88-0 · Telefax +49 (0) 60 74/8 88-100
 info@videortechnical.com · www.videortechnical.com