

# VHM/ZLKCB-W

Home | Security | Housings | for Boxed Cameras

VHM/ZLKCB-W  
Weatherproof Housing (330), 24V Heater, KV1,  
Internal Pre-wiring, RAL9016/7035

**Art-Nr. 79683**



## Main Features

Camera weatherproof housing with window heater  
Fold-down housing body  
4 levels of camera height adjustment  
Insulated camera mounting  
Central connector with 30 pin contact strip  
Cable entry with metal gland M25x1.5mm

Pre-wired for 24VAC supply via VPT-501/601  
With screw terminal board VHM/KV1  
Prepared for easy camera and lens assembly  
Window glass with "Clear-Shield" technology  
Housing colour: RAL9016/RAL7035  
Option: P/T head connection cable

## Specifications

Series	eneo VHM
Maximum installation length	330
Window screen	Coated with "Clear Shield" Technology. With this technology the glass corrosion, caused by environmental pollution, is avoided and screen cleaning cycles will be extended. The coating is UV light resistant, colour neutral and it causes no F-stop loss.
Clear Shield	yes
Window heater	yes, 24V (12V), 6watts
Thermostat	On: +16°C, Off: +20°C
Blower	no
Wiper	no
Supply voltage	12~24V
Sunshield	yes
Hidden cable management	no

# VHM/ZLKCB-W

(Continuation Specifications)

<b>Cable entry</b>	Metal gland M25x1.5mm (for cable diameter 9~17mm)
<b>Cable connection</b>	30-pin central plug
<b>Integrated wall mount</b>	no
<b>Protection rating</b>	IP66
<b>Housing</b>	outdoor
<b>Housing material</b>	aluminium
<b>Housing</b>	Aluminium with plastic covers (ABS)
<b>Colour (housing)</b>	RAL9016, RAL7035
<b>Dimensions (HxWxD)</b>	see drawing
<b>Weight</b>	2.9kg
<b>Parts supplied</b>	Housing 330mm, Central plug with built-in 30-pin female connector, Screw set
<b>Special feature</b>	Pre-wired internally for easy 24VAC camera and zoomlens installation.

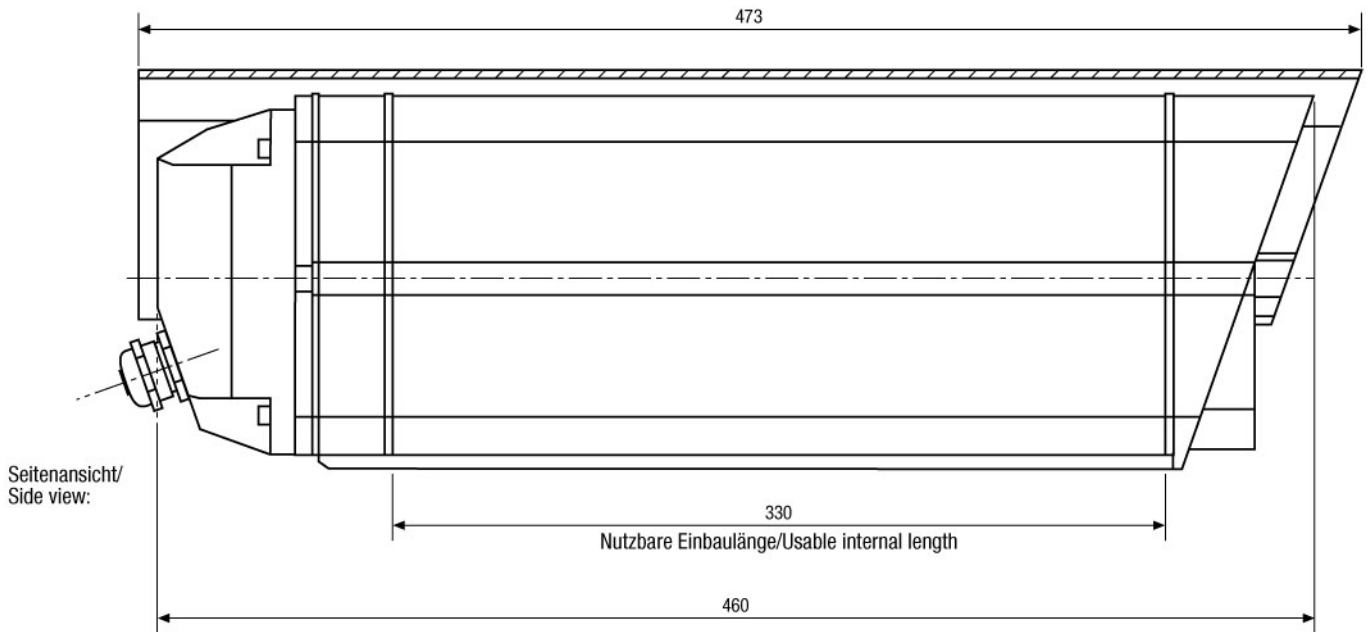
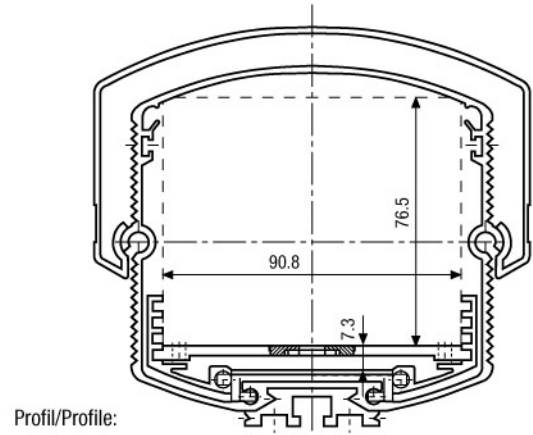
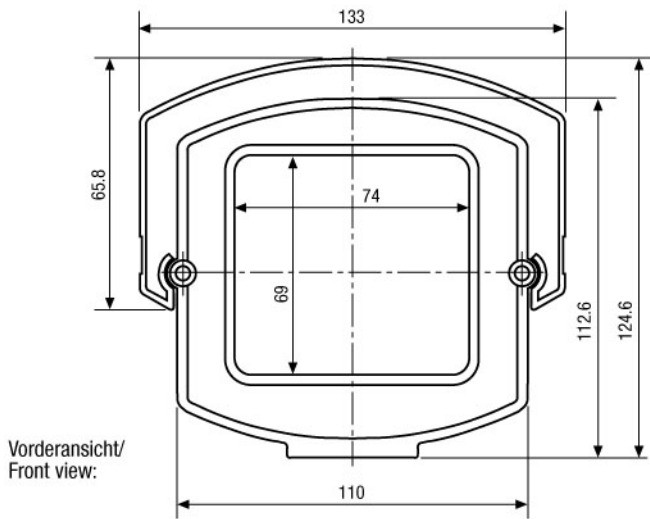
## Optional accessories

<b>70457</b>	<b>AK-3</b>	Camera Connection box, 230VAC Input, 24VAC-3.2A, 12VDC-1A Outputs
<b>73177</b>	<b>WD-16/MK-W</b>	Wall Mount with Swivel Head for VHM Weatherproof Housings, RAL9016

# VHM/ZLKCB-W

Home | Security | Housings | for Boxed Cameras

## Technical drawing



Maße/Dimensions: mm

VIDEOR E. Hartig GmbH, Carl-Zeiss-Straße 8, 63322 Rödermark, Germany -  
[www.videor.com](http://www.videor.com)

