

# Video Security

Housings | eneo Medium Housings

## VHM/ECLKA

Weatherproof Housing (330mm) with Heater, Thermostat, CBD, RAL7032, 230VAC

Art-No. 79404



## Features

Camera Weatherprotection

Housing Body Length 330mm

Fold-down Housing Body

4 Levels of Camera Height Adjustment

Insulated Camera Mounting

Integrated Connection Board

3 Cable Entries

Screen Heater 230VAC Included

Viewing Screen with "Clear-Shield" Technology

Incorporated Carrier Handle

Protection Rating IP66

Housing Surface RAL7032

## Specifications

Maximum installation length	330mm
Space for power supply	NE-112 (1 output): 85 mm NE-112/2 (2 outputs): 110 mm
Cable entries	3x M16x1.5mm
Window screen	Coated with "Clear Shield" Technology. With this technology the glass corrosion, caused by environmental pollution, is avoided and screen cleaning cycles will be extended. The coating is UV light resistant, colour neutral and it causes no F-stop loss.
Clear Shield	yes
Window heater	yes, 110 ~ 265VAC / approx. 9watts
Thermostat	On: +16°C, Off: +20°C
Sunshield	yes
Hidden cable management	no
Integrated wall mount	no
Protection rating	IP66
Housing	outdoor housing, Aluminium with plastic covers (ABS)
Housing material	aluminium
Colour (housing)	RAL7032

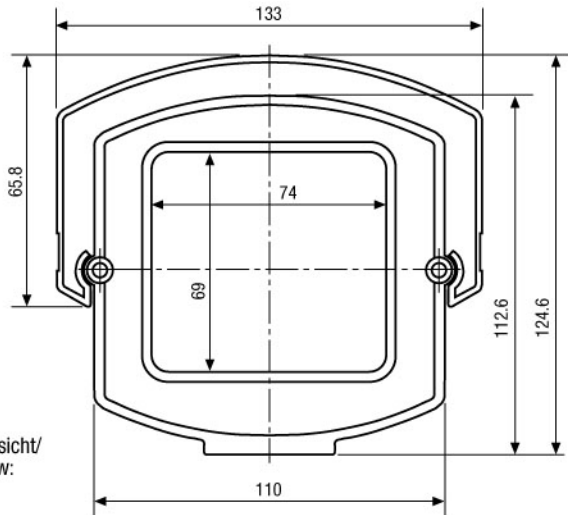
## VHM/ECLKA

(Specifications continued)

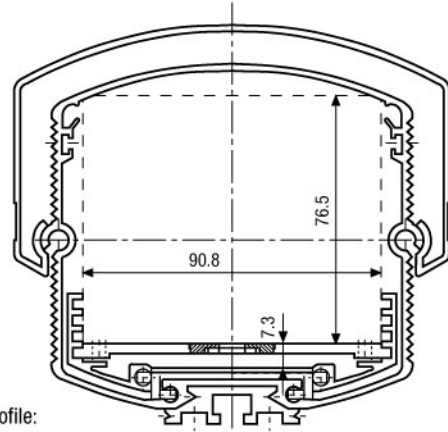
<b>Dimensions (HxWxD)</b>	See drawing
<b>Weight</b>	2.8kg
<b>Parts supplied</b>	Screw set, Thermostat switch, Screw terminal

## Accessories

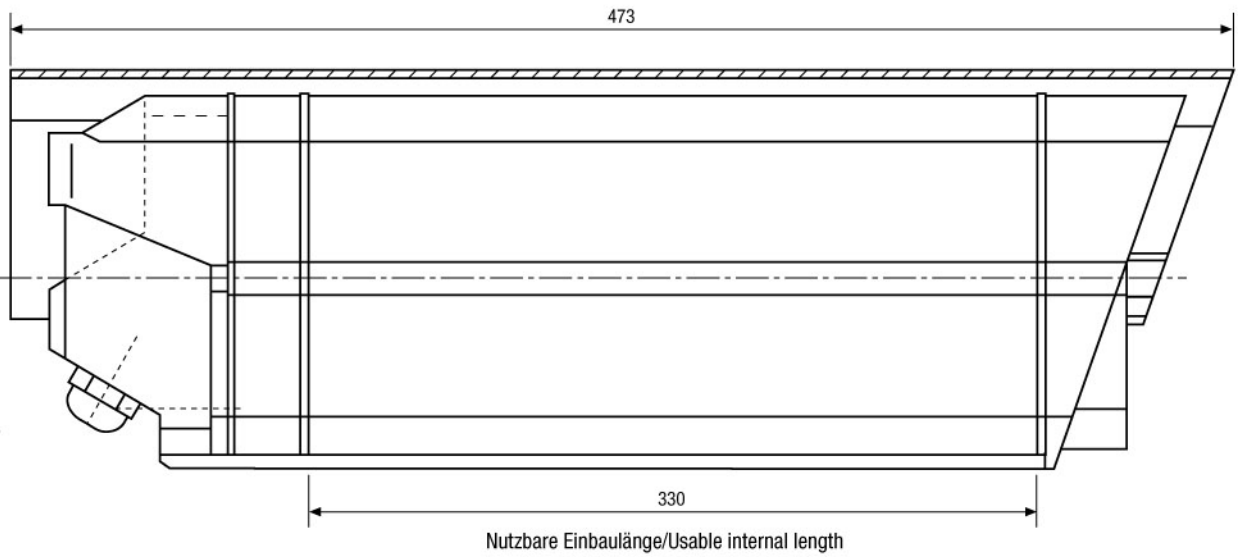
<b>73064 / WD-16/MK</b>	Wall Mount with Swivel Head for VHM Weatherproof Housings, RAL7032
<b>71601 / VHM/H24</b>	VHM Window Heater 12-30V (PTC Element)
<b>79491 / NE-112/AC24V</b>	Power Supply Unit 230VAC/24VAC (600mA) for VHM Housing
<b>79423 / NE-112/2</b>	Power Supply Unit 230VAC/12VDC (600mA), Regulated, 24VAC (1000mA) f. VHM Housing
<b>79364 / NE-112</b>	Power Supply Unit 230VAC/12VDC (600mA) for VHM Housing, Regulated
<b>79623 / VHM/PC-1</b>	Plug-in shield for VHM/EC&ST Housing Series, 330mm
<b>70457 / AK-3</b>	Camera Connection box, 230VAC Input 24VAC-100W, 12VDC-1A Output



Vorderansicht/  
Front view:



Profil/Profile:



Seitenansicht/  
Side view:

Nutzbare Einbaulänge/Usable internal length

Maße/Dimensions: mm