

# Video Security

Housings | eneo Medium Housings

## VHM/DP-ECL210

Dustproof Housing (210mm), RAL7032

Art-No. 79583



## Features

### Camera Protection

Housing Body Length: 210mm

Fold-down Housing Body

4 Levels of Camera Height Adjustment

Insulated Camera Mounting

### 3 Cable Entries

Viewing Screen with "Clear-Shield" Technology

Incorporated Carrier Handle

Housing Surface: RAL7032

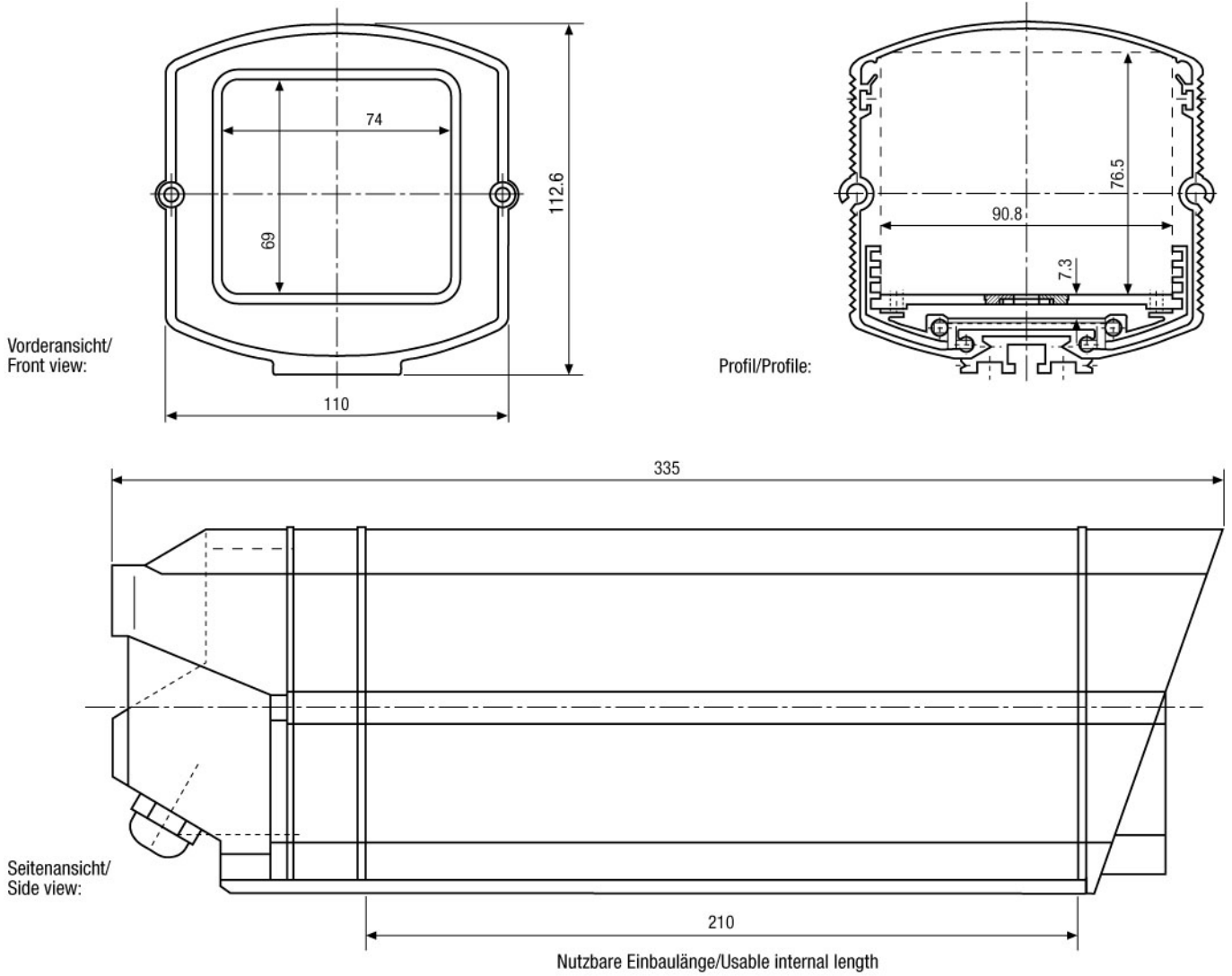
Option: Cable Distributor Board

## Specifications

Maximum installation length	210mm
Space for power supply	NE-112 (1 output): 85mm NE-112/2 (2 outputs): 110mm
Cable entries	3x M16x1.5mm
Window screen	Coated with "Clear Shield" Technology. With this technology the glass corrosion, caused by environmental pollution, is avoided and screen cleaning cycles will be extended. The coating is UV light resistant, colour neutral and it causes no F-stop loss.
Clear Shield	yes
Window heater	no
Sunshield	no
Hidden cable management	no
Integrated wall mount	no
Protection rating	IP66
Housing	indoor housing, Aluminium with plastic covers (ABS)
Housing material	aluminium
Colour (housing)	RAL7032
Dimensions (HxWxD)	See drawing
Weight	1.3kg
Parts supplied	Screw set, 3mm Allen key

## Accessories

<b>73064 / WD-16/MK</b>	Wall Mount with Swivel Head for VHM Weatherproof Housings, RAL7032
<b>73082 / WD-14/MKL</b>	Wall Mount with Swivel Head for Weatherproof Housings, RAL7032
<b>79491 / NE-112/AC24V</b>	Power Supply Unit 230VAC/24VAC (600mA) for VHM Housing
<b>79423 / NE-112/2</b>	Power Supply Unit 230VAC/12VDC (600mA), Regulated, 24VAC (1000mA) f. VHM Housing
<b>79364 / NE-112</b>	Power Supply Unit 230VAC/12VDC (600mA) for VHM Housing, Regulated
<b>79627 / VHM/KV2</b>	Cable Connection Board with Thermostat for VHM Housing, "EC" Series



Maße/Dimensions: mm

VIDEOR TECHNICAL E. Hartig GmbH  
 Carl-Zeiss-Straße 8 · 63322 Rödermark · Germany  
 Telefon +49 (0) 60 74/8 88-0 · Telefax +49 (0) 60 74/8 88-100  
 info@videortechnical.com · www.videortechnical.com

