



## LED Infra-Red Illuminators

FDP-No.: 73872

### SUPER LED20/850

- Power Rating: 140 watts
- Spectral Emission: 850 nm
- 30° Light Emission
- Achievable Distances up to 175 m
- Robust Construction
- Low Voltage at Camera Head
- Outdoor and Indoor Applications
- No Maintenance Required



---

### Specifications:

---

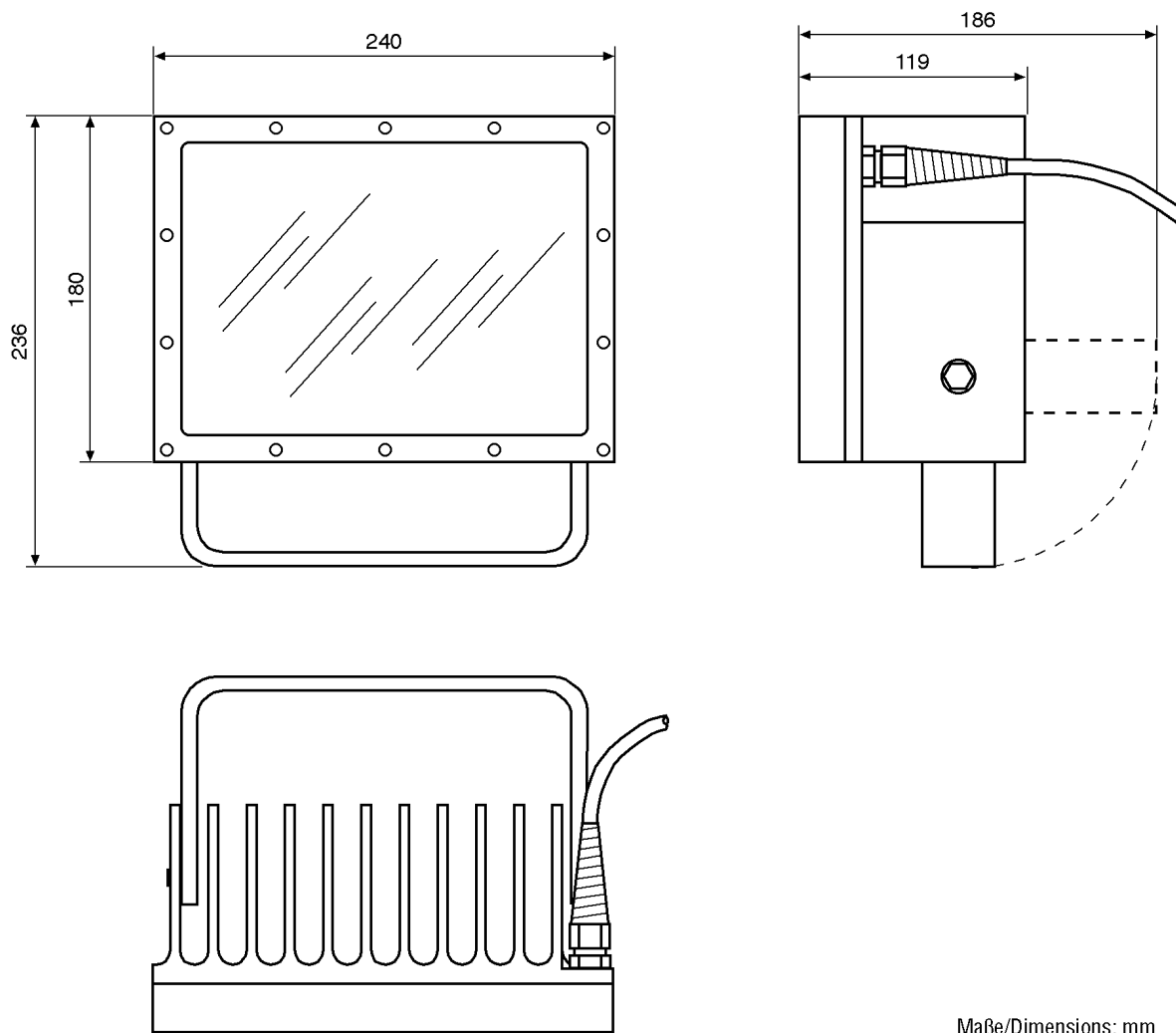
Spectral Emission	850 nm
Beam angle	30° (usable up to 45°)
Scene Coverage *)	Approx. 175 m (100m on low power, e. g. for indoor use)
Voltage supply	Via Derwent power supply unit (part of delivery)
Power consumption at nominal voltage	Approx. 140 watts (100 watts on low power)
Ambient temperature range	Up to +45°C (on full power)
Protection rating	IP 66
Housing	Aluminium with plastic cover
Colour	Black
Dimensions (HxWxD)	See drawing
Weight **)	5.85 kg

#### Additional descriptions

\*) On condition that a camera is used with good sensitivity in the infra-red range, a rel. lens aperture: min. F1.4 and a mean reflectance factor for spotlight objects.

\*\*\*) Without power supply unit

Accessories	
EDP No. / Type	Description
73008 WD-2N	Wall bracket for pan & tilt heads, recommended for VPT-40/41/42, light grey finish (RAL 7032)



Maße/Dimensions: mm

e-mail: [info@eneo-security.com](mailto:info@eneo-security.com) • [www.eneo-security.com](http://www.eneo-security.com)