

Video Security

Network Cameras | eneo Network Cameras NT Series

NTD-4101

1/4" Network Colour Mini Dome Camera
with 10x Zoom Lens, 12VDC, 430TVL

Art-No. 93155



Features

1/4" Vandal Resistant IP PTZ Colour Dome Camera
Zoom Lens: F1.6/3.15-31.5mm / 10x Digital Zoom
Sensitivity of 0.85Lux at F1.2
High Speed Shutter Control (MES/ESC)
On-screen Menu Control / Camera Title Display
Horizontal Speed Range up to 120°/sec.

MPEG-4 Compression
Image Frame Rate: Up to 25 Fr./Sec. (720x576 Px.)
Viewer for Monitoring, Recording and Configuration
Pre and Post Event Recording (in Client PC)
Integrated Web Server: 10Base-T/100Base-TX
E-mail Notification in Case of an Alarm

Specifications

System	Colour
Video standard	PAL
Sensor size	1/4"
Imager	Sony Super HAD Interline Transfer CCD, CCD
Synchronization	Internal
Genlock synchronization	No
Signal-to-noise ratio	48dB (AGC Off)
Sensitivity (at 50% video signal)	0,85Lux
Automatic gain control (AGC)	Automatic, 30dB max. (On/Off switchable)
High-speed shutter (ESC)	1/50 ~ 1/10,000sec., automatic and manual
Integration rate	no
Aperture Correction (APC)	Horizontal and vertical
White balance	Modes: Manual, Automatic, Indoor, Outdoor
Backlight compensation	BLC
IR cut filter	no
Activity detection	yes
Text display	Available
Menu driven set-up	On/Off switchable

(Specifications continued)

Menu languages	English
Picture adjustments	Color, Brightness, Contrast (via Network)
Video outputs (type)	CVBS
Video outputs	1Vp-p, CVBS, 75ohms
Audio support	no
Alarm input	1
Alarm inputs	yes
Alarm processing	Built-in Motion Detection, Adjustable sensitivity and dwell time, E-Mail function
Internal storage	yes
System requirements	Windows 2000/XP, Intel Pentium IV 2GHz or higher, 512MB RAM or higher, Hard disk 80GB min., depend on recording demand
Compression standard	MPEG4, part 2 (ISO/IEC 14496-2), Profile: SP and ASP
Resolution max.	720 x 576
Resolution	Network: 720x576 (D1), 640x480, 320x240, 160x120 Px.
Maximum image transmission rate	50HB/Sek.
Frame rate	25 Frps. at 720x576 Px. (PAL)
Image display	Via Web Browser or Viewer Software
Ethernet interface	10Base-T, 100Base-TX, RJ-45
Web browser	MS Internet Explorer Vers. 6.0
Network protocols	TCP/IP, DHCP, HTTP, DNS, UDP, RTP, RTSP, SMTP
Bandwidth	Adjustable
Lens type	zoom
Lens	F1.6~F32/3.15 ~ 31.5mm (10x optical, 10x digital zoom)
Lens mount	n/a
Application range	security
Nominal format size	1/4"
Aspherical technology	no
Mount	n/a
Focal length	3,15-31,5mm
Horizontal angle of view	60-6,5°
Iris control	auto iris, Automatic (with manual override)
Focus control	Automatic with manual override
Pre-alarm recording	180sec. max.
Post-alarm recording	180sec. max.
Search function	Alarm/Event/Time searching
Adresses	Up to 63 Dome ID's
Serial interfaces	RS-485
Configuration	Via WebBrowser, Built-in WebServer
Software upgrade	via Network Interface, incl. Viewer setup
Password protection	yes
PTZ Support	yes
Speed range at manual control (pan)	120°/sec. max.
Speed range at manual control (tilt)	120°/sec.

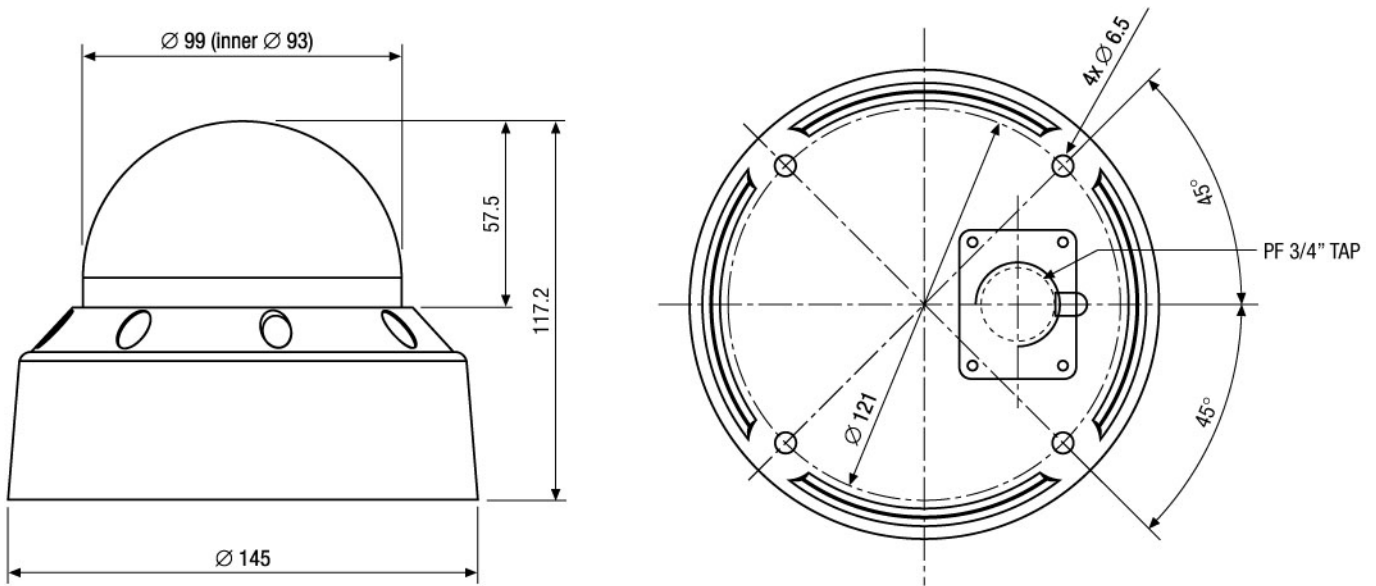
NTD-4101

(Specifications continued)

Rotation range	359°
Vertical tilt range	0 ~ +90°
Backlash	+/-0.1°
Preset positioning	60 presets
Tours	Up to 4 User programmable guard tours with 4 presets each
Autoscan	4 User programmable auto scans. Speed: 7°/sec
Protection rating	IP66 (at installation according to the manual)
Camera mount	Ceiling mount or using EDMC/CWB wall and ceiling bracket
Supply voltage	12VDC, 230VAC
Power over Ethernet	no
19" Rack mountable	no
Temperature range (Operation)	0 ~ +45°C
Temperature range with built-in heater	-10°C ~ +45°C
Humidity range	0 ~ 96% non-condensing
Housing	Weather proof Aluminium housing
Colour	Pantone Cool Gray 1C
Dimensions (HxWxD)	see drawing
Weight	1.3kg
Parts supplied	Power supply unit 230V/12VDC, RS-485 & Alarm connection cable, Viewer Software, Configuration and client CD-R

Accessories

74088 / EDC-KBD1	System Keyboard with 3-axis Joystick, 12VDC/230VAC
74092 / EDC-KBDM-3	System Keyboard w. Joystick, 5" Monitor 12VDC/230VAC, Fastrax Protocol
74124 / FASTRAX_CONFIG	Configuration Software for Eneo Fastrax, Minitrax Dome Cameras and VKC-1416
74097 / EDMC/CWB	Wall or Pendant Mount Kit for EDMC Dome Camera EDMC-142 and WDDG-1 Series
74099 / EDMC/H12	Low Voltage Heater Kit 12V/10W for Minitrax Series



Maße/Dimensions: mm

VIDEOR TECHNICAL E. Hartig GmbH
 Carl-Zeiss-Straße 8 · 63322 Rödermark · Germany
 Telefon +49 (0) 60 74/8 88-0 · Telefax +49 (0) 60 74/8 88-100
 info@videortechnical.com · www.videortechnical.com

