

Video Security

Network Cameras | eneo Network Cameras NT Series

NTD-2101

1/3" Network Colour Mini Dome Camera,
F1.6/4-9mm Vari Lens, 12VDC, 540TVL

Art-No. 93154



Features

1/3" Vandal Resistant IP Colour Dome Camera
Integral Lens F1.6/4-9mm
Sensitivity of 0.3Lux (F1.2)
Digital Noise Reduction (DNR)
High and Low Speed Shutter Control (MES/ESC/DSS)
On-screen Menu Control / Camera Title Display

MPEG-4 Compression
Image Frame Rate: Up to 25 Fr./Sec. (720x576 Px.)
Viewer for Monitoring, Recording and Configuration
Pre and Post Event Recording (in Client PC)
Integrated Web Server: 10Base-T/100Base-TX
E-mail Notification in Case of an Alarm

Specifications

System	Colour
Video standard	CCIR/PAL
Sensor size	1/3"
Imager	Sony Super HAD Interline Transfer CCD, CCD
Synchronization	Internal
Genlock synchronization	No
Signal-to-noise ratio	52dB (AGC Off)
Sensitivity (at 50% video signal)	0,3Lux
Automatic gain control (AGC)	OFF / Low / Mid / High selectable
Automatic shutter control (AES)	1/50 ~ 1/120.000sec.
Integration rate	yes
Low speed shutter (DSS)	OFF, Automatic: 2 ~ 128 Fps.
Aperture Correction (APC)	Horizontal and vertical
White balance	Automatic and manual (ATW/AWB)
Backlight compensation	BLC, OFF/LOW/MID/HIGH selectable
IR cut filter	no
Mirror function	On/Off switchable
Privacy Zone masking	4 Areas selectable

(Specifications continued)

Activity detection	yes
Text display	Title and camera ID
Menu driven set-up	On/Off switchable
Menu languages	English
Picture adjustments	Color, Brightness, Contrast (via Network)
Video outputs (type)	CVBS
Video outputs	1Vp-p, CVBS, 75ohms
Audio support	no
Alarm inputs	no
Alarm processing	Built-in Motion Detection, Adjustable sensitivity and dwell time, E-Mail function
Internal storage	yes
System requirements	Windows 2000/XP, Intel Pentium IV 2GHz or higher, 512MB RAM or higher, Hard disk 80GB min., depend on recording demand
Compression standard	MPEG4, part 2 (ISO/IEC 14496-2), Profile: SP and ASP
Resolution max.	720 x 576
Resolution	Network: 720x576 (D1), 640x480, 320x240, 160x120 Px.
Maximum image transmission rate	50HB/Sek.
Frame rate	25 Frps. at 720x576 Px. (PAL)
Image display	Via Web Browser or Viewer Software
Ethernet interface	10Base-T, 100Base-TX, RJ-45
Web browser	MS Internet Explorer Vers. 6.0
Network protocols	TCP/IP, DHCP, HTTP, DNNS, UDP, RTP, RTSP, SMTP
Bandwidth	Adjustable
Lens type	varifocal
Lens	F1,5 ~ 340/4 ~ 9mm with galvanometer driven iris
Lens mount	n/a
Application range	security
Nominal format size	1/3"
Aspherical technology	no
Mount	n/a
Focal length	4-9mm
Horizontal angle of view	71-31,6°
Iris control	Manual or DC
Pre-alarm recording	180sec. max.
Post-alarm recording	180sec. max.
Search function	via time, date and event
Adresses	Up to 63 Dome ID's
Serial interfaces	no
Configuration	Via WebBrowser, Built-in WebServer
Password protection	yes
PTZ Support	no
Protection rating	IP66 (at installation according to the manual)

NTD-2101

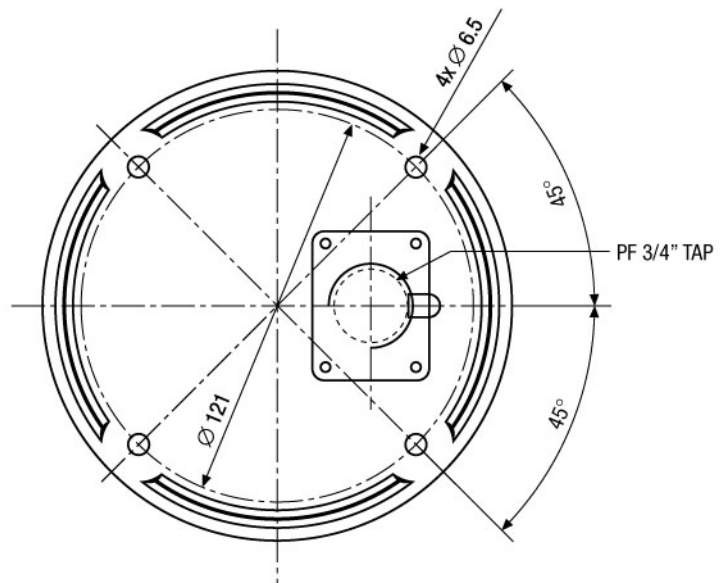
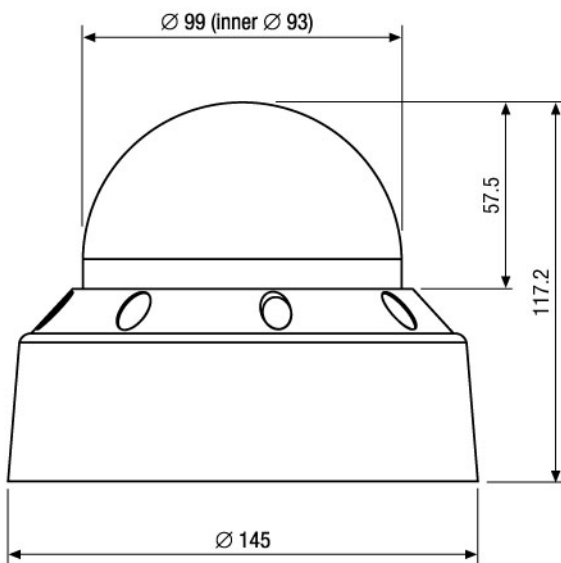
(Specifications continued)

Camera mount	Ceiling mount or using EDMC/CWB wall and ceiling bracket
Supply voltage	12VDC
Power over Ethernet	no
Power consumption	6.0watts
19" Rack mountable	no
Temperature range (Operation)	0 ~ +40°C
Housing	Weather proof Aluminium housing
Colour	Pantone Cool Gray 1C
Dimensions (HxWxD)	see drawing
Weight	1.1kg
Parts supplied	Power supply unit 230V/12VDC, RS-485 & Alarm connection cable, Viewer Software, Configuration and client CD-R

Accessories

74097 / EDMC/CWB

Wall or Pendant Mount Kit for EDMC Dome Camera EDMC-142 and WDDG-1 Series



Maße/Dimensions: mm

VIDEOR TECHNICAL E. Hartig GmbH
Carl-Zeiss-Straße 8 · 63322 Rödermark · Germany
Telefon +49 (0) 60 74/8 88-0 · Telefax +49 (0) 60 74/8 88-100
info@videortechnical.com · www.videortechnical.com

