

# Video Security

Network Cameras | eneo Network Cameras NT Series

## NTC-2101

1/3" Network D&N Colour Camera,  
540TVL, 12VDC

Art-No. 93152



Lens is not included with the camera

## Features

1/3" Super HAD Colour/B&W CCD Sensor  
Sensitivity of 0.2Lux at F1.2 (Colour)  
Digital Noise Reduction (DNR)  
High and Low Speed Shutter Control (MES/ESC/DSS)  
On-screen Menu Control / Camera Title Display  
Privacy Masking/Mirror Function/Motion Detection

MPEG-4 Compression  
Image Frame Rate: Up to 25 Fr./Sec. (720x576 Px.)  
Viewer for Monitoring, Recording and Configuration  
Pre & Post Event Recording (in Client PC)  
Integrated Web Server: 10Base-T/100Base-TX  
E-mail Notification in Case of an Alarm

## Specifications

System	day&night
Video standard	CCIR/PAL
Sensor size	1/3"
Imager	Sony Super HAD Interline Transfer CCD, CCD
Synchronization	Line lock or internal
Genlock synchronization	-
Signal-to-noise ratio	52dB (AGC Off)
Switching-over colour/b&w	via menu
Auto exposure	Automatic/Manual Shutter/AGC/Flickerless
Sensitivity (at 50% video signal)	0,13Lux, (colour); 0.07Lux B&W at AGC High (VT measurement result at F1.2)
Active picture elements	approx. 480,000, 795(H) x 596(V)
Gamma correction	0.45
Automatic gain control (AGC)	31dB max. (Off/Low/Mid/High selectable)
High-speed shutter (ESC)	1/50 ~ 1/120,000sec.
Integration rate	yes
Low speed shutter (DSS)	OFF, Automatic: 2 ~ 128 Fps.
Manual electronic shutter (MES)	1/50 ~ 1/120,000sec.

(Specifications continued)

<b>Aperture Correction (APC)</b>	Horizontal and vertical
<b>White balance</b>	Automatic (AWB/ATW): 1800K ~ 10500K Manual: R-gain, B-gain, adjustable and lockable
<b>Backlight compensation</b>	BLC, OFF/LOW/MID/HIGH selectable
<b>Flickerless function</b>	1/120sec., On/Off switchable
<b>IR cut filter</b>	yes, Motorized, switchable filter. Automatic function depend on the amount of light. Manual switching: see "switching-over, colour/b&w". In removed filter position, the colour signal will be switched OFF
<b>Privacy Zone masking</b>	On/Off switchable
<b>Motion Detection Function</b>	4 areas On/Off switchable
<b>Activity detection</b>	yes
<b>Text display</b>	Camera title On/Off switchable
<b>Camera ID</b>	Via text display
<b>Sharpness correction</b>	0 ~ 31 ON/OFF switchable
<b>Menu driven set-up</b>	On/Off switchable
<b>Picture adjustments</b>	Color, Brightness, Contrast (via Network)
<b>OSD function control</b>	Colour/B&W, AGC, DNR, Mirror (hor.), BLC, White balance, AI/DC Iris, Sharpness, ESC/MES, Shutter speed, Flickerless, Privacy zones ON/OFF, Camera ID, Default/Preset
<b>External adjustments</b>	Menu, Cursor Up/Down/Left/Right, Flange focus
<b>External connections</b>	Video (BNC), Auto Iris/DC Iris, Power input (2-pin)
<b>Video outputs (type)</b>	CVBS, VBS
<b>Video outputs</b>	1Vp-p, CVBS or VBS, 75ohms, BNC
<b>Audio support</b>	no
<b>Alarm inputs</b>	no
<b>Alarm processing</b>	Built-in Motion Detection, Adjustable sensitivity and dwell time, E-Mail function
<b>Internal storage</b>	yes
<b>System requirements</b>	Windows 2000/XP, Intel Pentium IV 2GHz or higher, 512MB RAM or higher, Hard disk 80GB min., depend on recording demand
<b>Compression standard</b>	MPEG4, part 2 (ISO/IEC 14496-2), Profile: SP and ASP
<b>Resolution max.</b>	720 x 576
<b>Resolution</b>	Network: 720x576 (D1), 640x480, 320x240, 160x120 Px.
<b>Maximum image transmission rate</b>	50HB/Sek.
<b>Frame rate</b>	25 Frps. at 720x576 Px. (PAL)
<b>Image display</b>	Via Web Browser or Viewer Software
<b>Ethernet interface</b>	10Base-T, 100Base-TX, RJ-45
<b>Web browser</b>	MS Internet Explorer Vers. 6.0
<b>Network protocols</b>	TCP/IP, DHCP, HTTP, DNS, UDP, RTP, RTSP, SMTP
<b>Bandwidth</b>	Adjustable
<b>Lens type</b>	n/a
<b>Lens mount</b>	C/CS
<b>Usable iris controls</b>	Manual iris, Auto-Iris/DC controlled iris

## NTC-2101

(Specifications continued)

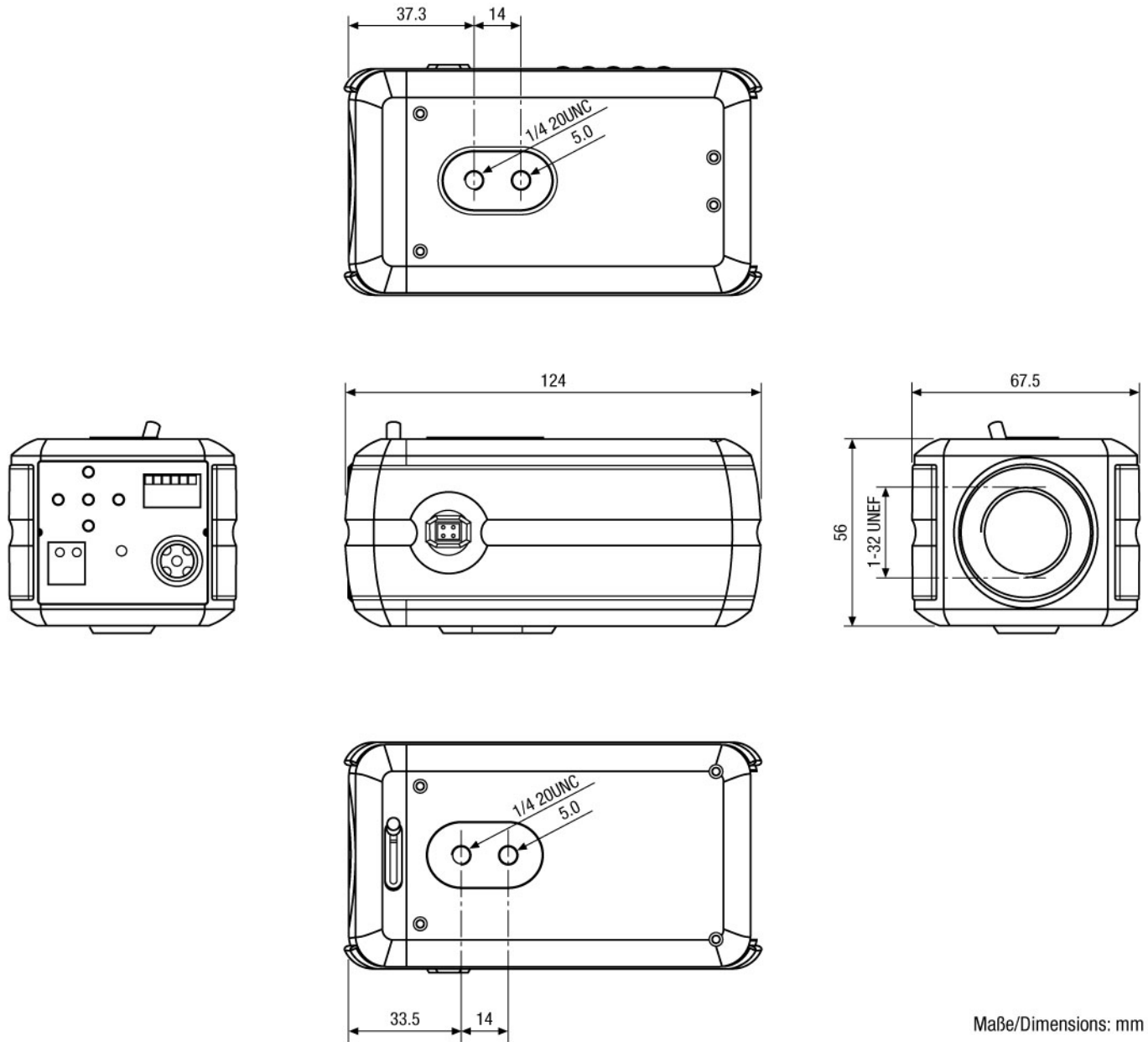
<b>Pre-alarm recording</b>	180sec. max.
<b>Post-alarm recording</b>	180sec. max.
<b>Search function</b>	Alarm/Event/Time searching
<b>Serial interfaces</b>	no
<b>Configuration</b>	Via WebBrowser, Built-in WebServer
<b>Software upgrade</b>	via Network Interface, incl. Viewer setup
<b>Operation protection</b>	Multilevel and Multiuser - Password protected
<b>Password protection</b>	yes
<b>PTZ Support</b>	no
<b>Camera mount</b>	1/4" - 20 UNC thread on top and bottom
<b>Supply voltage</b>	12VDC
<b>Power over Ethernet</b>	no
<b>Power consumption</b>	6.0watts
<b>19" Rack mountable</b>	no
<b>Temperature range (Operation)</b>	0 ~ +40°C
<b>Colour</b>	Body: Pantone 877, Front and back: Pantone 8400C
<b>Dimensions (HxWxD)</b>	see drawing
<b>Weight</b>	approx. 300g
<b>Parts supplied</b>	Viewer software with recording capability, configuration and client CD-R, 4-pin lens plug, C/CS mount ring

## Accessories

<b>70448 / VT-PS12DC-6</b>	Plug-in Power Supply Unit 100-240VAC 12VDC (1.0Amp), Regulated, w. open Ends
<b>77773 / VT-PS12DCDT1</b>	PSU 12VDC/1.0A, Regulated, Desktop Version, 1.8m Cables each w. open ends
<b>70769 / WD-22</b>	Wall Mount Bracket with Ball Joint, 1/4" Camera Fixing Screw, Beige Grey
<b>70771 / WD-23</b>	Wall Mount Bracket with Ball Joint, 1/4" Camera Fixing Screw, Pantone 877
<b>43252 / G04Z03M-NFS</b>	F1.2/4.5-12.5mm Lens, Var. Focal Length with No Focus Shift, 1/2", CS Mount
<b>45246 / YV5X2.7R4B-SA2L</b>	F1.3/2.7-13.5mm DC Varifocal Lens, No Focus Shift, 1/3" CS Mount
<b>43237 / F03Z04NDDC-NFS</b>	F1.4/2.8-11mm DC Lens/var. Focal Length No Focus Shift, 1/3" CS Mount
<b>43238 / F03Z2.710DC-NFS</b>	F1.0/3-8mm DC Lens/var. Focal Length with No Focus Shift, 1/3" CS Mount
<b>43251 / G04Z03NDDC-NFS</b>	F1.2/4.5-12.5mm DC Lens/variable Focal Length, No Focus Shift, 1/2" CS Mount
<b>45251 / YV10X5R4A-SA2L</b>	F1,6/5-50mm DC Varifocal Lens with No Focus Shift, 1/3" CS Mount
<b>43249 / F07Z07NDDC-NFS</b>	F1.3/7.5-50mm DC Lens/var. Focal Length with No Focus Shift, 1/3" CS Mount
<b>43239 / A10Z04NDDC-NFS</b>	F1.4/10-40mm DC Lens/var. Focal Length with No Focus Shift, 1/2" C Mount

(Accessories continued)

<b>47162 / F0212M-NFS</b>	F1.2/2.2mm Fixed Focal Length Lens with No Focus Shift, 1/3" CS Mount
<b>47156 / F0312M-NFS</b>	F1.2/2.8mm Fixed Focal Length Lens with No Focus Shift, 1/3" CS Mount
<b>47157 / F0412M-NFS</b>	F1.2/4mm Fixed Focal Length Lens with No Focus Shift, 1/3" CS Mount
<b>47158 / F0612M-NFS</b>	F1.2/6mm Fixed Focal Length Lens with No Focus Shift, 1/3" CS Mount
<b>47159 / F0812M-NFS</b>	F1.2/8mm Fixed Focal Length Lens with No Focus Shift, 1/3" CS Mount
<b>47161 / F0212NDDC-NFS</b>	F1.2/2.2mm DC Lens with No Focus Shift, 1/3" CS Mount
<b>47148 / F0412NDDC-NFS</b>	F1.2/4mm DC Lens with No Focus Shift, 1/3" CS Mount
<b>47147 / F0312NDDC-NFS</b>	F1.2/2.8mm DC Lens with No Focus Shift, 1/3" CS Mount
<b>47149 / F0612NDDC-NFS</b>	F1.2/6mm DC Lens with No Focus Shift, 1/3" CS Mount
<b>47154 / F0812NDDC-NFS</b>	F1.2/8mm DC Lens with No Focus Shift, 1/3" CS Mount



Maße/Dimensions: mm

VIDEOR TECHNICAL E. Hartig GmbH  
 Carl-Zeiss-Straße 8 · 63322 Rödermark · Germany  
 Telefon +49 (0) 60 74/8 88-0 · Telefax +49 (0) 60 74/8 88-100  
 info@videortechnical.com · www.videortechnical.com

