

L04Z02MV-MP

Home | Imaging | Lenses | Macro Varifocal Zoom

L04Z02MV-MP

F1,6/4,4-11mm Megapixel Varifocal- Lens, 1/1,

8" C-Mount

Art-Nr. 42037



Main Features

High Resolution Varifocal Lens

Designed for Multi Megapixel Cameras

High Standard of Optical and Mechanical Quality

Especially designed for Cameras with 1/1.8" Sensor

Very low Distortion

Locking Mechanism for Focus, Zoom and Iris

C Mount

Compact design

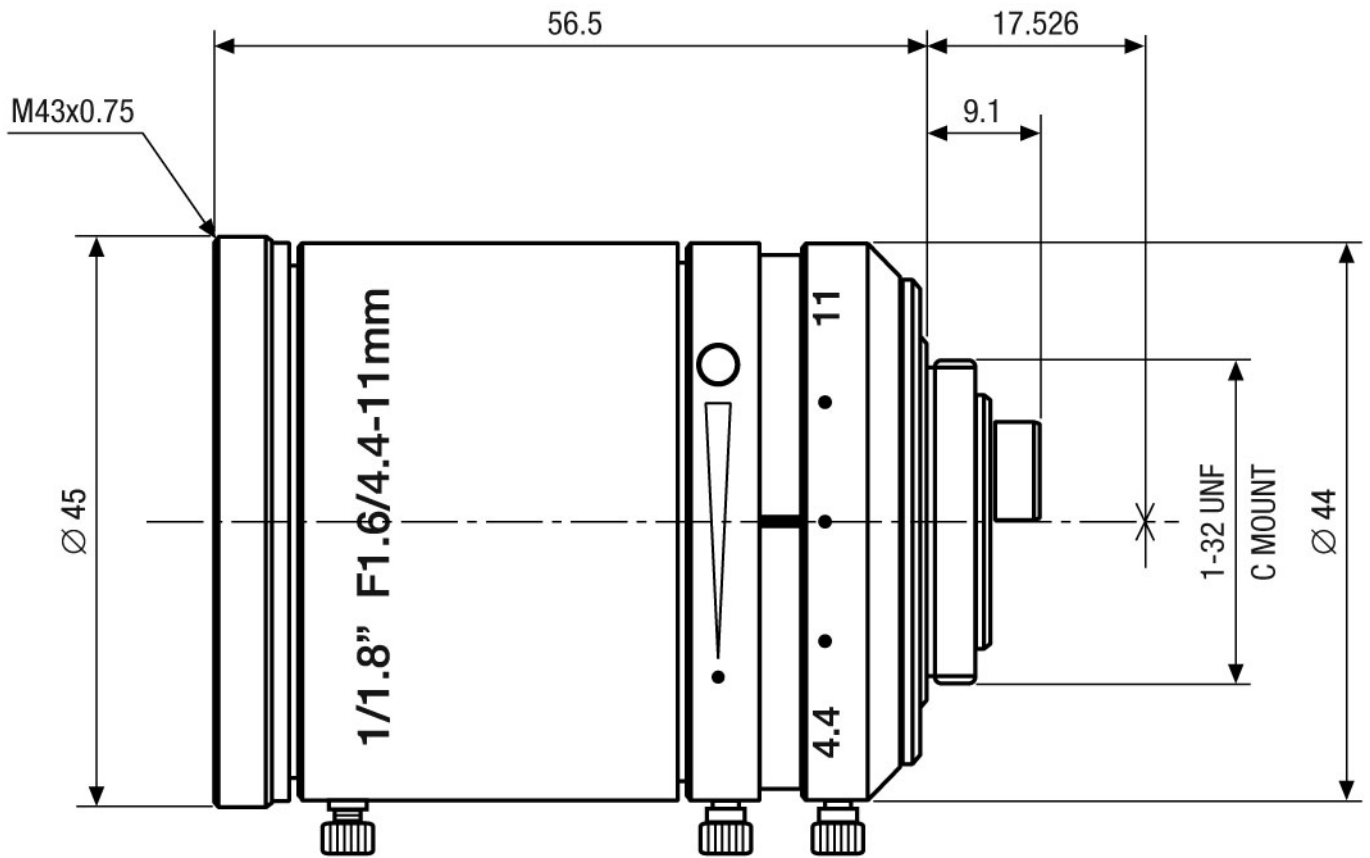
Specifications

Lens type	varifocal
Series	Varifocal and Zoom
Application range	megapixel
Focal length	4,4 mm - 11 mm
Nominal format size	1/1.8"
Aperture range (F)	F1,6-16
Mount	C
Iris control	manual
MOD (Minimum object distance)	0,3 m
Filter screw size	M43x0.75mm
Aspherical technology	yes
Horizontal angle of view	76,6° - 36,7°
Flange focal length	17.526mm
Weight	125g

L04Z02MV-MP

Home | Imaging | Lenses | Macro Varifocal Zoom

Technical drawing



Maße/Dimensions: mm