

# GXD-1610M/IR

Home | Security | IP Domes | Megapixel Fixed

GXD-1610M/IR

1/3" Network Dome, Fixed, Day&Night, 3.3 - 12mm,

1280x960, IR LED, PoE, ONVIF

**Art-Nr. 92705**



## Main Features

1/3" Sony 1.3 megapixel CMOS sensor

Resolution 1280 x 1024 (HD 720p) max.

Simultaneous video streaming (H.264/MJPEG/MPEG-4)

Removeable IR cut filter (ICR)

WDR (Wide Dynamic Range)

ROI (Region of Interest)

Integrated motion detection

Audio and alarm in-/outputs

Alarm-recording (Micro SD card/SDHC)

ONVIF conformity / IP66 vandal resistant

Integral IR illumination

Client management software included

## Specifications

Series	eneo GL
Resolution standard	HD 720p
System	day&night
Video standard	CCIR/PAL
Sensor size	1/3"
Imager	CMOS, Sony IMX035
Synchronization	internal
Digital signal processing (DSP)	TI TMS320DM355 (digital media processor)
Sensitivity (at 50% video signal)	0,2 Lux, (colour); 0.01Lux (B&W) at F1.2
Automatic gain control (AGC)	ON/OFF switchable
Manual electronic shutter (MES)	1/50sec. ~1/1000sec.
Digital Noise Reduction (DNR)	yes
Low speed shutter	yes, 2 ~64 Fps., ON /OFF switchable

# GXD-1610M/IR

(Continuation Specifications)

<b>White balance</b>	AWB, Indoor / Outdoor switchable
<b>Backlight compensation</b>	no
<b>Wide Dynamic Range (WDR)</b>	WDR
<b>Flickerless function</b>	yes
<b>IR cut filter</b>	switchable
<b>Mirror function</b>	horizontal, vertical
<b>Resolution max.</b>	1280x1024
<b>Resolution</b>	1280x960, 1280x720 (HD 720), 800x600 (4:3), 480x360 (4:3), 176x144 (4:3)
<b>Image transmission rate max.</b>	25 B./Sek.
<b>Frame rate</b>	25 fps max. at 1280x960 px.
<b>Privacy zones masking</b>	ON/OFF switchable
<b>Activity detection</b>	yes
<b>Motion detector</b>	96 areas, 5 levels
<b>Text display</b>	29 character labels
<b>Sharpness correction</b>	adjustment range: 0 ~255
<b>Brightness</b>	adjustment range: 0 ~255
<b>Menu languages</b>	German, English, French, Spanish, Italian, Polish, Czech, Chinese, Dutch, Portugese, Finnish, Swedish, Hungarian, Romanian, Turkish
<b>OSD function control</b>	H/V flip (mirror picture), sharpness, contrast, brightness, exposure, AGC, AWB, ESC, WDR, motion detection, privacy zones, day&night, text, image size, bit rate
<b>Internal adjustments</b>	camera position, angle of view & focus, reset
<b>Internal connections</b>	5 pin Mini USB, SD card slot
<b>Video outputs</b>	composite (cinch)
<b>Audio support</b>	yes
<b>Alarm inputs</b>	1, 2x TTL
<b>Alarm output</b>	1
<b>Alarm outputs</b>	1
<b>Alarm processing</b>	SD-card recording, alarm out, FTP, E-Mail
<b>Internal storage</b>	SD card, microSD card, SDHC card
<b>Compression standard</b>	H.264, MPEG-4, MJPEG
<b>Bandwidth</b>	controllable bandwidth and frame rate
<b>Stream types</b>	H.264, MPEG-4, MJPEG multiple
<b>Ethernet interface</b>	100Base-TX
<b>Web browser</b>	MS Internet Explorer vers. 7.0 or higher, Google Chrome (Java), Mozilla Firefox (Java), Safari (Java)
<b>Network protocols</b>	IPv4, TCP/IP, HTTP, IGMP, DCP, ARP, NTP, UDP, RTP, RTCP
<b>Lens type</b>	varifocal
<b>Lens</b>	F1.4/3.3 ~12mm
<b>Focal length</b>	3,3 mm - 12 mm

# GXD-1610M/IR

(Continuation Specifications)

<b>Horizontal angle of view</b>	72° - 22,6°
<b>Digital zoom</b>	2x ~10x
<b>Iris control</b>	DC
<b>MOD (Minimum object distance)</b>	0,5 m
<b>Illumination</b>	infrared, 12x LEDs 850nm, integrated light sensor for On/Off switching of the illumination
<b>Illumination range</b>	approx. 20m (at a good light reflexion and 40% Videosignal)
<b>Pre-alarm recording</b>	1 to 10sec.
<b>Post-alarm recording</b>	1 to 10sec.
<b>Memory card</b>	SD card (for software upgrades as well)
<b>Serial interfaces</b>	no
<b>Remote configuration</b>	via web browser, remote software
<b>Configuration</b>	via web browser
<b>Access</b>	10 users simultaneous support
<b>Firmware update</b>	Flash memory allows central remote software updates over the network
<b>Password protection</b>	3 password levels, yes
<b>e-PTZ support</b>	EPTZ (digital PTZ)
<b>Rotation range</b>	359°
<b>Supply voltage</b>	12VDC, 24VAC
<b>Power over Ethernet</b>	yes, IEEE 802.3af
<b>Blower</b>	yes
<b>Heater</b>	no
<b>Mounting</b>	optional wall/flush mounting accessories, (not supplied)
<b>19" Rack mountable</b>	no
<b>Temperature range (operation)</b>	-20°C ~+50°C
<b>Vandalism resistant</b>	yes
<b>Hidden Cable Management Support</b>	yes
<b>Housing</b>	outdoor, aluminium
<b>Colour (housing)</b>	RAL9003
<b>Bubble</b>	PC plastic bubble, vandal resistant
<b>Colour (bubble)</b>	clear
<b>Protection rating</b>	IP66
<b>Management Software Support</b>	CMS software
<b>SDK</b>	SDK incl. HTTP-API and ActiveX
<b>ONVIF</b>	core specifications 1.01
<b>Certificates</b>	CE, IK10
<b>Remarks</b>	free bundle recording software, SDK incl. HTTP-API and ActiveX available, required mounting accessories (wall/ceiling) cf. Accessories list
<b>Dimensions (HxWxD)</b>	see drawing
<b>Weight</b>	1.15kg

# GXD-1610M/IR

(Continuation Specifications)

<b>Parts supplied</b>	RJ-45 connection cable, PSU 100~240VAC, bag of screws, drilling template, manual, Viewer software with recording capability, configuration and client CD-R
-----------------------	--

<b>Special features</b>	installation wizard via web browser
-------------------------	-------------------------------------

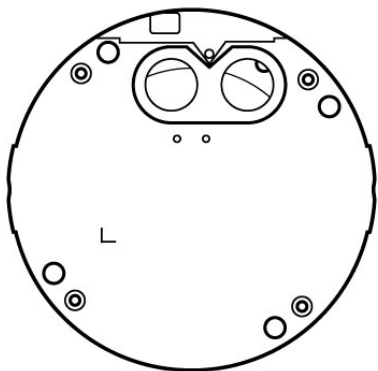
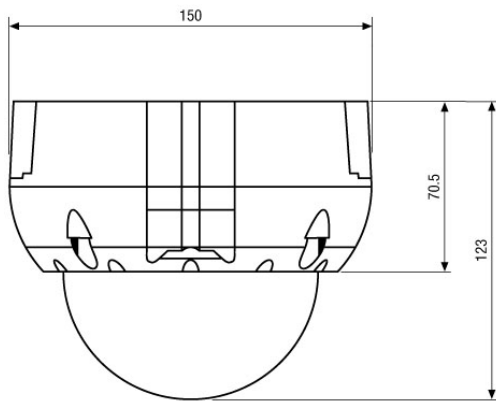
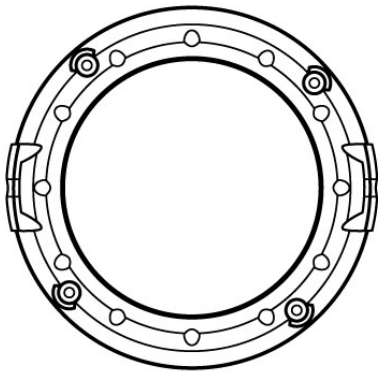
## Optional accessories

<b>200803</b>	<b>ZELARIS ELEMENTS</b>	Video Management Software, for eneo IP Cameras
<b>92765</b>	<b>VDOME/SM2</b>	Ceiling Mount Kit, for eneo GXD-16xx/-17xx series
<b>200536</b>	<b>VDOME/WB8</b>	Wall Mount Kit for eneo GXD-16xx/-17xx series
<b>92766</b>	<b>VDOME/FM2</b>	Flush Mount Kit, for eneo GXD-16xx/-17xx series
<b>92767</b>	<b>VDOME/WB6</b>	Wall Mount Kit, for eneo eneo GXD-16xx/-17xx series
<b>92768</b>	<b>VDOME/PM2</b>	Ceiling Pendant Bracket, for eneo GXD-16xx/-17xx series

# GXD-1610M/IR

Home | Security | IP Domes | Megapixel Fixed

## Technical drawing



Maße/Dimensions: mm



**VIDEOR**