



## GLD-1501B/IR

Article-No.: 92744

1/3" Network Dome, Fixed,  
Day&Night, 3.3 - 12mm,  
704x576, IR Illumination, PoE

### Mainfeatures

For indoor wall and ceiling surface mount  
IR illumination by 18 integral 850nm LEDs  
Alarm notification by ANNP, e-mail, FTP & SD card  
Alarm in / outputs and motion detection  
Configuration and upgrade via USB interface  
Power supply: 12VDC/24VAC, PoE

Integrated varifocal lens: F1.2/3.3-12mm  
MJPEG and MPEG-4 video compression  
Image frame rate: Up to 25 ips. (PAL)  
Ethernet interface: 10/100Base-TX  
One-way audio transmission (audio-in)  
Vandal resistant / clear bubble / Pantone 9003C

### Specifications

Series	eneo GL
System	day&night
Video standard	CCIR/PAL
Sensor size	1/3"
Imager	CCD
Imager	Sony Super HAD Interline Transfer
Signal processing	Digital (DSP)
Sensitivity (at 50% video signal)	0,5 Lux
Sensitivity (at 50% video signal)	at F1.2 (measured)
Horizontal resolution	520 TVL
Automatic gain control (AGC)	supplied
Digital Noise Reduction (DNR)	no
Low speed shutter	no
White balance	AWB/ATW selectable
Backlight compensation	BLC
Wide Dynamic Range (WDR)	no


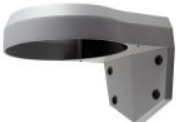

## Specifications (continued)

IR cut filter	switchable
Mirror function	yes
Resolution max.	704 x 576
Resolution	704x576 (4CIF), 704x288 (2CIF), 352x288 (CIF)
Image transmission rate max.	25 B./Sek.
Transmission rate (Network)	30(25), 24, 15, 10, 5 Fields/sec. (MPEG4 at all resolutions)
Frame rate	25 fps max. PAL, (recording mode), Picture size: 4 - 64KB (M-JPEG)
Privacy zones masking	ON/OFF switchable
Activity detection	yes
Motion detector	96 areas, 5 levels
Sharpness correction	adjustment range: 0 - 255
Brightness	adjustment range: 0 - 255
Menu languages	English
Picture adjustments	Contrast, Brightness, Whitebalance, BLC ON/OFF, Scharpness, Saturation, Mirror, Private masking
External connections	Video (Cinch), USB, SD card slot, RJ-45, Alarm In/out, Alarm reset, Audio In/out, RS-485 Interface, Power input (2 pin)
Video outputs	composite (CVBS)
Video outputs	1Vp-p, (C)VBS, 75ohms, Cinch
Audio support	yes
Alarm inputs	1
Alarm inputs	1 (software supported)
Alarm outputs	1
Alarm notification	by built-in motion detection, external alarm input, network disconnection
Alarm handling	automatic connection setup to a specified IP address (FTP)
Alarm processing	notification by ANNP, e-mail, FTP, SD card, alarm output
Internal storage	no
Compression standard	MJPEG, MPEG-4
Stream types	MPEG-4, MJPEG alternating
Image display	via Web Browser or Lan-Cam-Viewer Software
Ethernet interface	10Base-T, 100Base-TX
Web browser	MS Internet Explorer Vers. 6.0
Network protocols	TCP/IP, HTTP, DHCP, UPnP, ARP, DNS, DynDNS, SNTP, PPPoE, RTP, RTSP, SMPT, FTP
Lens type	varifocal
Focal length	3,3 mm - 12 mm
Horizontal angle of view	22,6° - 72°
Aperture range	F1.4 ~ F260
Iris control	DC
MOD (Minimum object distance)	0,5 m
Illumination	infrared
Illumination	18x LED 850nm
Illumination range	approx. 20m (at a good light reflexion and 40% Videosignal)
Pre-alarm recording	100 Pictures
Serial interfaces	RS-485
Access	8 users simultaneous support
Password protection	yes





## Specifications (continued)

PTZ support	no
Rotation range	359°
Tilt range	+/-90°
Supply voltage	12VDC, 24VAC
Power over Ethernet	yes
Power over Ethernet	IEEE 802.3af
Heater	no
Power consumption	8.4watts
Mounting	ceiling mount, wall mount
Temperature range (operation)	0°C ~ +50°C
Vandalism resistant	yes
Hidden Cable Management Support	yes
Housing	indoor
Housing material	aluminium
Colour (housing)	Pantone 9003C
Colour (bubble)	clear
Protection rating	n/a
Management Software Support	Aimetis - Symphony, Zelaris, Netavis, GL-Manager, Milestone XProtect Corporate
ONVIF	no
Certificates	CE
Dimensions (HxWxD)	see drawing
Weight	680g
Parts supplied	Lan-Cam-Viewer Software, Power supply 100~240VAC/50Hz, Cinch-BNC and USB connection cable, Ceiling fix plate, Fixing screw set, Manual

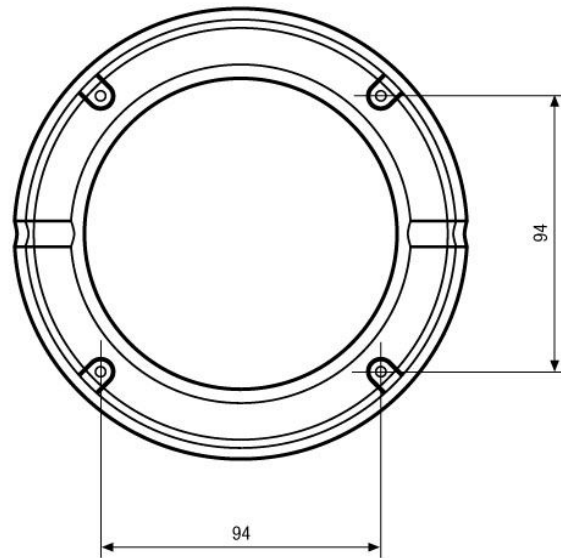
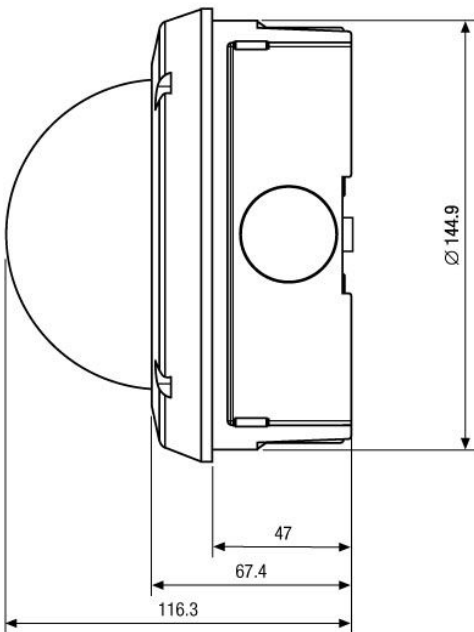
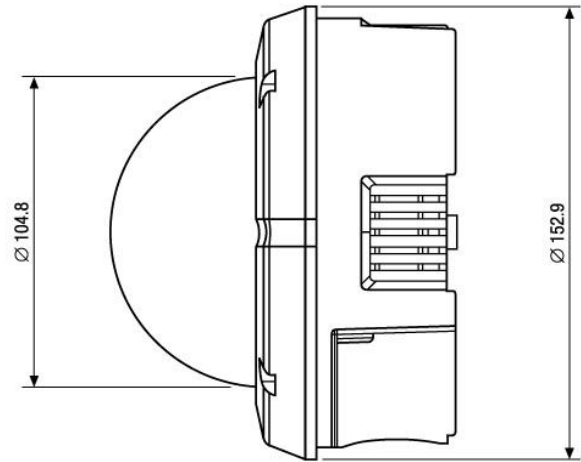
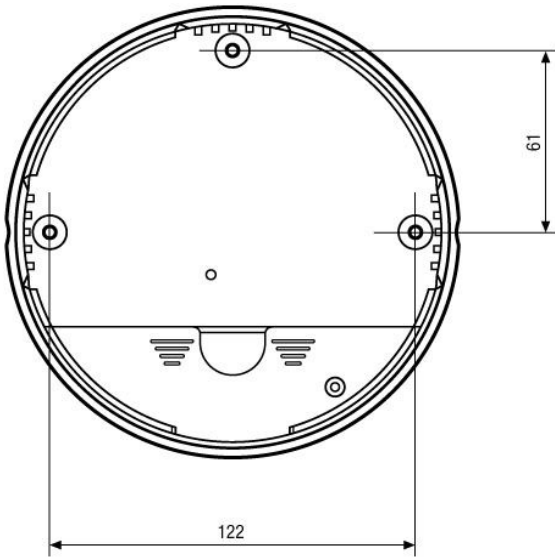
## Optional Accessories

Image	Artikel-Nr. / Typ	Description
		Pendant Mount Bracket for GLD-1501/IR, Pantone 9003C
		Wall Mount for GLD-1501/IR, Pantone 9003C
	ZELARIS V08	Digital Video Network Crosslink, 8 Inputs, not Extentable, USB 2.0 Dongle

## Optional Accessories (continued)

Image	Artikel-Nr. / Typ	Description
	ZELARIS V16	Digital Video Network Crosslink, 16 Inputs, not Extentable, USB 2.0 Dongle
	ZELARIS CLIENT	Video Management Software, Client for one Workstation, ONVIF
	ZELARIS BASIC	Video Management Software, ONVIF, Single User, for 4 Cameras, expandable
	ZELARIS SERVER	Video Management Software, ONVIF, Server/Client, for 4 Cameras, expandable
	ZELARIS SER EXT	Extension Licence, for ZELARIS SERVER, additional 4 Cameras, max. 64, ONVIF
	ZELARIS CON EXT	Extension Licence, for ZELARIS SERVER, additional 1024 Channels, ONVIF
	ZELARIS CONTROL	Video Management Software, Master Control, for 1024 Channels, ONVIF

## Technical Drawing



Maße/Dimensions: mm



*Your partner for eneo products:*

