

GLC-1602H

Home | Security | IP Cameras | Standard

GLC-1602H
1/3" Network Colour Camera, H.264, MJPEG, 704x576,

12VDC

Art-Nr. 92515



Lens is not included

Main Features

High Resolution Network Camera (Super HAD CCD)
Horizontal Resolution of 520 TV Lines (colour)
Simultaneous Video Streaming (H.264 & MJPEG)
Simultaneous Video and Audio Signal Transmission
E-Mail and FTP Transmission of Important Events
Integrated Activity Detection

Ethernet Interface: 10/100Base-TX
Supports Various Network Environments
Alarm In/Output, Audio Output
Upgrade via SD Card, USB Interface and Network
SD Socket for Local Video Storage by SD Cards

Specifications

Series	eneo GL
System	Colour
Video standard	PAL
Sensor size	1/3"
Imager	CCD, Sony Super HAD Interline Transfer CCD (with HQ1 DSP)
Sensitivity (at 50% video signal)	1.2Lux at F1.2 (Videor measurement result)
Horizontal resolution	520 TVL
Active picture elements	440,000, 752(H) x 582(V)
Automatic gain control (AGC)	8/12/24/30dB, selectable
Automatic electronic shutter (ESC)	1/50 ~ 1/100,000sec.
Digital Noise Reduction (DNR)	no
Low Speed Shutter	no
White balance	2500 - 9500K

GLC-1602H

(Continuation Specifications)

Backlight compensation	BLC
Wide Dynamic Range (WDR)	no
IR cut filter	standard
Privacy Zone	3 areas
Motion Detection Function	96 zones, 5 levels
Activity detection	yes
Text display	Available
Sharpness correction	selectable
Picture adjustments	Max. AGC gain, Contrast, Brightness, BLC, Sharpness, Colour saturation and Fluorescent light
External connections	Video (BNC), Audio, USB1.1, Network (RJ-45), Alarm Input/Output, Reset, Power Input, RS-232, RS-485, DC-Lens
Video outputs	CVBS, 1Vp-p, (C)VBS, 75ohms, BNC
Digital signature	M-JPEG watermark
Audio support	yes
Audio	Built-in Microphone, 16Bit, 8kHz
Alarm inputs	yes
Alarm outputs	Open collector
Alarm handling	Automatic connection setup to a specified IP address (FTP)
Internal storage	yes
Compression standard	MJPEG, H.264
Resolution max.	704 x 576
Resolution	704x576 (4CIF), 704x288 (2CIF), 352x288 (CIF)
Image transm. rate max.	25 B./Sek.
Frame rate	25 / 24 / 15 / 5 ips.
Image display	Via Web Browser or Viewer Software
USB Interface	Supplied
Ethernet interface	10Base-T, 100Base-TX, RJ-45
Web browser	MS Internet Explorer Vers. 6.0
Network protocols	TCP/IP (IPv4), ICMP, SMTP, DDNS, HTTP, DNS, FTP, DHCP, PPPoE, ICMP
Lens mount	CS
Iris control	Manual iris, DC controlled iris
Secondary Storage	Via SD card
Memory card	SD card (for software upgrades as well)
Serial interfaces	RS-485, RS-232
Software upgrade	SD card / USB / FTP
Operation protection	Multilevel and Multiuser - Password protected
Password protection	yes
PTZ Support	yes

GLC-1602H

(Continuation Specifications)

Camera mount	1/4" - 20 UNC thread on bottom
Supply voltage	12VDC
Power over Ethernet	no
Power consumption	4.0watts
Temperature range (Operation)	0 ~+50°C
Colour	Pantone 400U
Dimensions (HxWxD)	See drawing
Weight	360g
Parts supplied	Viewer Software, Power supply 100~240VAC/50Hz, USB connection cable, Manual
Management Software Support	Aimetis - Symphony, Zelarix IP, NetAvis, GL-Manager, Milestone XProtect Corporate
Certificates	CE

Optional accessories

70769	WD-22	Wall Mount Bracket with Ball Joint, 1/4" Camera Fixing Screw, Beige Grey
43238	F03Z2.710DC-NFS	F1.0/3-8mm DC Lens/var. Focal Length with No Focus Shift, 1/3" CS Mount
45246	YV5X2.7R4B-SA2L	F1.3/2.7-13.5mm DC Varifocal Lens, No Focus Shift, 1/3" CS Mount
76053	ZELARIS_IP S04	Server/Client Video Management Software Basic Version, 4 Camera Server license
43249	F07Z07NDDC-NFS	F1.3/7.5-50mm DC Lens/var. Focal Length with No Focus Shift, 1/3" CS Mount
43251	G04Z03NDDC-NFS	F1.2/4.5-12.5mm DC Lens/variable Focal Length, No Focus Shift, 1/2" CS Mount
76003	ZELARIS_IP VC	Client Version for Zelarix_IP Server for one Workstation
76051	ZELARIS_IP V04	Video Management Software for Standalone Systems, Basic Version, 4 Cameras
43239	A10Z04NDDC-NFS	F1.4/10-40mm DC Lens/var. Focal Length with No Focus Shift, 1/2" C Mount
70771	WD-23	Wall Mount Bracket with Ball Joint, 1/4" Camera Fixing Screw, Pantone 877
76058	ZELARIS_IP HL-E	Extension for Control Room Client for further up to 1024 Channels max.
76047	ZELARIS_IP HL-B	Control Room Client Software, Basic Version, Up to max. 1024 Channels
79705	VTL-300/WW-POEB	Weatherproof Housing, RJ-45,PoE Splitter 1.75A, Heater/Fan, Wall Bracket, RAL9002
76056	ZELARIS_IP S04E	Software Extension for Zelarix_IP S04 for further 4 Cameras, max. 64 Cameras
76001	ZELARIS V08	Digital Video Network Crosslink, 8 Inputs, not Extentable, USB 2.0 Dongle

GLC-1602H

76002

ZELARIS V16

Digital Video Network Crosslink, 16 Inputs, not Extentable, USB 2.0 Dongle

GLC-1602H

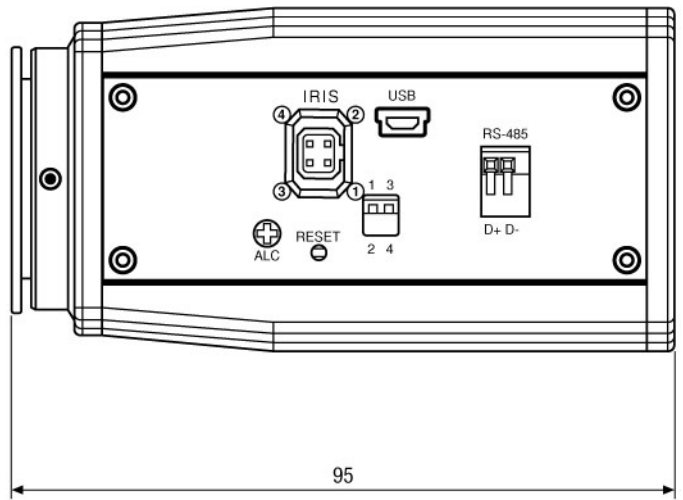
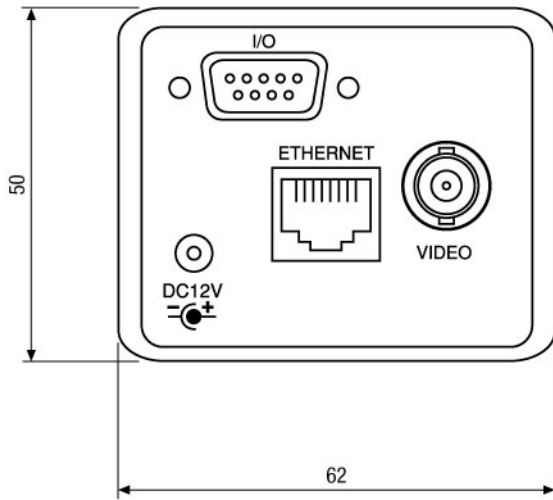
Product information

System Requirements of the Viewer Software: - Standard PC with P-IV Processor, >1.5 GHz (2.8 GHz or higher recommended) - Windows 2000 or Windows XP - LAN 10/100 Base-TX - Internet Explorer 6 or higher - 80 GByte HDD or higher - 256 MB RAM recommended

GLC-1602H

Home | Security | IP Cameras | Standard

Technical drawing



Maße/Dimensions: mm