

GLC-1401/PP312

Home | Security | IP Cameras | Standard

GLC-1401/PP312
1/3" Network Colour Camera, 2.8-12mm, 704x576,

VHM Weatherproof Housing

Art-Nr. 96081



Main Features

1/3" CCD Colour Camera w. MJPEG/MPEG-4 Compression
Lens F1.4/2.8-11mm with DC Controlled Iris
Transmission Rate up to 25 Frames/Sec.
E-Mail and FTP Transmission of Important Events
Activity Detection
Ethernet Interface 10/100Base-T

Supports Various Network Environments
Weatherprotected Housing with 24V Screen Heater
Plugable Connector with 3m Multicore Cable
Viewing Screen with "Clear-Shield" Technology
Housing Surface RAL7032
Wall Mount Bracket WD-16

Specifications

Series	eneo GL
System	Colour
Video standard	PAL
Sensor size	1/3"
Imager	CCD, Sony Super HAD Interline Transfer CCD (with HQ1 DSP)
Sensitivity (at 50% video signal)	0.5Lux at F1.2 and AGC 24dB (Videor measurement result)
Horizontal resolution	480 TVL
Active picture elements	440,000, 752(H) x 582(V)
Automatic gain control (AGC)	24/30dB selectable
Automatic electronic shutter (ESC)	1/50 ~ 1/100,000sec.
Digital Noise Reduction (DNR)	no
Low Speed Shutter	no
Manual electronic shutter (MES)	1/1000sec. (fixed)

GLC-1401/PP312

(Continuation Specifications)

White balance (AWB)	2500 ~9500K
Backlight compensation	BLC
Wide Dynamic Range (WDR)	no
Flickerless function	Supplied
IR cut filter	standard
Mirror function (h/v)	Supplied
Privacy Zone	3 areas
Activity detection	yes, 96 zones, 5 levels sensitivity (MJPEG)
Picture adjustments	Max. AGC gain, Contrast, Brightness, BLC, Sharpness, Colour saturation and Fluorescent light
Video outputs	CVBS, 1Vp-p, composite, 75ohms, BNC
Digital signature	M-JPEG watermark
Audio support	yes
Alarm inputs	yes
Alarm outputs	Open collector (5V / 0.02A max.)
Alarm handling	Automatic connection setup to a specified IP address (FTP)
Internal storage	no
Compression standard	MJPEG, MPEG4
Resolution max.	704 x 576
Resolution	704x288 (half D1), 352x288 (CIF)
Transmission rate (Network)	30(25), 24, 15 Fields/sec. (MPEG4 at all resolutions), 2.4MBit/sec. via Network
Image transm. rate max.	25 B./Sek.
Frame rate	25 frames/sec. max. PAL, (recording mode), Picture size: 4 - 64KB (M-JPEG)
Image display	Via Web Browser or Lan-Cam-Viewer Software
Ethernet interface	10Base-T, 100Base-TX, RJ45, MDIX protocol support
Protocols	TCP/IP, ICMP, FTP, DHCP, HTTP, DNS, DNNS, UDP, SNTP, UpnP, SMTP
Lens type	varifocal
Lens	F1.4/2.8-12mm
Lens mount	integrated lens
Aspherical technology	yes
Focal length	2,8 mm - 12 mm
Horizontal angle of view	97,4° - 26,2°
Iris control	DC
Focus constant range	+0.02mm (Focus deviation at switch-over to IR light at 850nm)
MOD (Minimum object distance)	0,3 m
Filter screw size	not available
Cable entry	Metal gland M20x1.5mm

GLC-1401/PP312

(Continuation Specifications)

Cable connection	3m Multicore cable with open ends
Recording	on PC with Viewer Software or on SD Card on camera side
Secondary Storage	Via SD card
Serial interfaces	RS-485, RS-232
Access	10 Users simultaneous support
Software upgrade	via SD card, RS-232, USB or FTP
Operation protection	Multilevel and Multiuser - Password protected
Password protection	yes
PTZ Support	yes
Rotation range	360°
Tilt range	approx. 50°
Supply voltage	230VAC
Power over Ethernet	no
Temperature range (Operation)	-10° ~+50°C
Housing	Aluminium
Colour	RAL7032
Colour (housing)	RAL7032
Housing material	Aluminium
Housing	Outdoor
Protection rating	IP66
Integrated wall mount	no
Hidden cable management	optional
Window heater	yes, 24V, approx. 6watts, with thermostat (On: +16°C, Off: +20°C)
Clear Shield	yes
Window screen	Coated with "Clear Shield" Technology. With this technology the glass corrosion, caused by environmental pollution, is avoided and screen cleaning cycles will be extended. The coating is UV light resistant, colour neutral and it causes no F-stop loss.
Dimensions (HxWxD)	See drawing
Weight	approx. 3.5kg
Parts supplied	Package consisting of: LAN Camera ENC-1004L with lens, Lan-Cam Viewer Software, Weatherproof housing with power supply unit 230V/50Hz, Screw set, Central plug with built-in 30-pin connector, Wall bracket
Management Software Support	Aimetis - Symphony, Zelaris IP, NetAvis, GL-Manager, Milestone XProtect Corporate
Certificates	CE

Optional accessories

70456	AK-2	Camera Connection Box for Standard and Ethernet Cameras
--------------	-------------	---

GLC-1401/PP312

70457

AK-3

Camera Connection box, 230VAC Input, 24VAC-3.2A, 12VDC-1A Outputs

GLC-1401/PP312

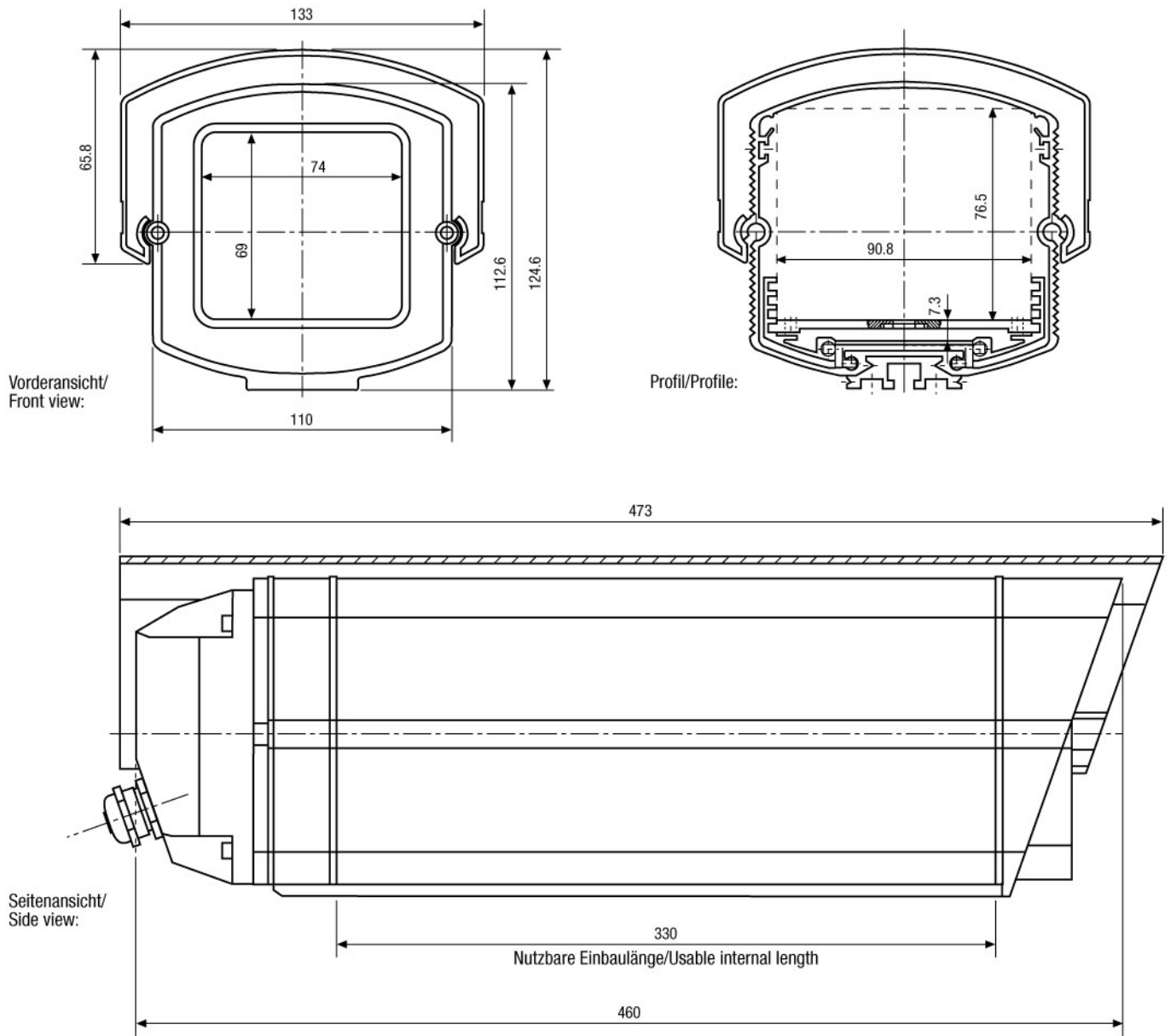
Product information

Viewer Software for the recording of upto 4 cameras GLC-1401 System requirements for the Viewer Software: - Standard PC with P-IV processor and >1.8GHz system clock - Windows 2000 or Win XP (in preparation) - Network connection 10/100 Base-Tx - Internet Explorer 5 or higher - Hard disk 80Gb, depend on recording demand - RAM 512Mb (recommended)

GLC-1401/PP312

Home | Security | IP Cameras | Standard

Technical drawing



Maße/Dimensions: mm

VIDEOR E. Hartig GmbH, Carl-Zeiss-Straße 8, 63322 Rödermark, Germany -
www.videor.com

