

Video Security



F1616NDDC

F1.6/16mm DC Lens, 1/3" CS Mount

Art-No. 47145



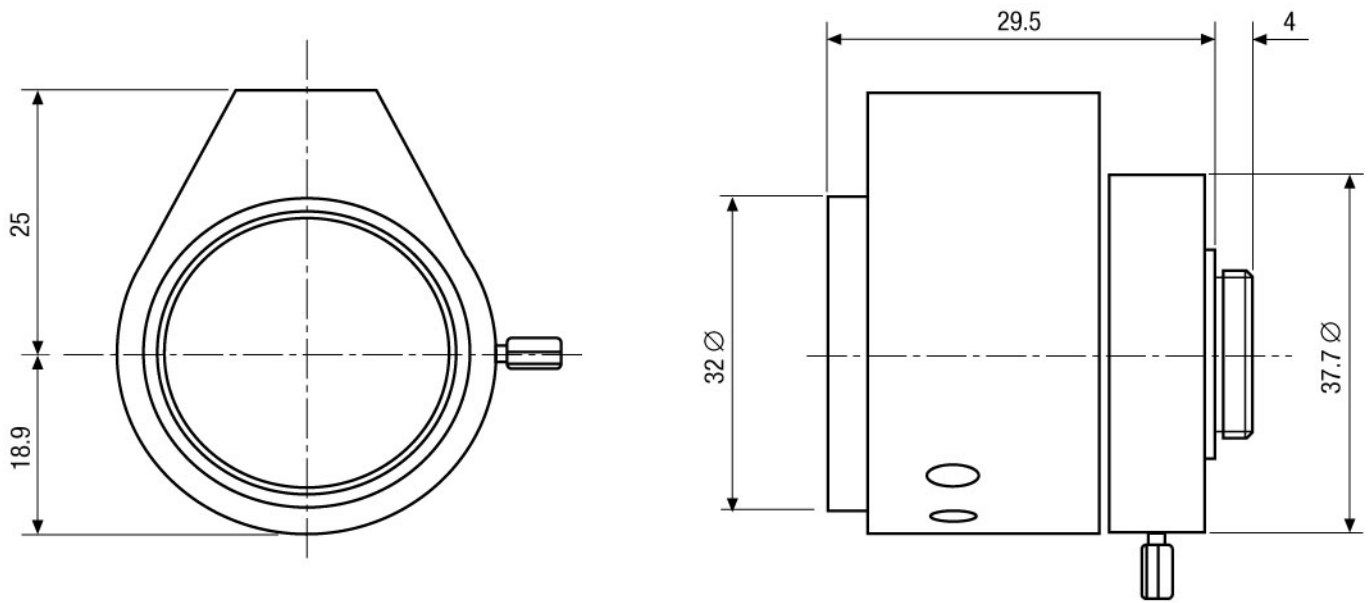
Features

Suitable for 1/2" and 1/3" Colour and B&W Cameras
CSMount
High Standard of Optical and Mechanical Quality

Without Built-in Auto Iris Amplifier
4-pin Connector for DC Iris Control
Adjustable Slip-ring Mount for Cable Positioning

Specifications

Nominal format size	1/3"
Focal length (f)	16 mm
Aperture range (F)	F1.6-F360
Iris control system	Galvanometer
Horizontal angle of view at nominal format size	17.6°
Minimum object distance (M.O.D.)	0.7 m
Flange focal length	12.5 mm
Screw-in depth	4.0 mm
Filter screw size	-
Slip-ring mount	340°-360° Variable adjustment range
Cable length	Approx. 25 cm
4-pin plug	Standard
Lens mount	CS
Temperature range	-10°C to +50°C
Dimensions (LxDxH)	29.5x37.3x25 mm
Weight	45 g



Maße/Dimensions: mm

VIDEOR TECHNICAL E. Hartig GmbH
 Carl-Zeiss-Straße 8 · 63322 Rödermark · Germany
 Telefon +49 (0) 60 74/8 88-0 · Telefax +49 (0) 60 74/8 88-100
 info@videortechnical.com · www.videortechnical.com