

## Video Security



### F07Z07NDDC-NFS

F1.3/7.5-50mm DC Lens/var. Focal Length  
with No Focus Shift, 1/2" CS Mount

Art-No. 43249



### Features

Suitable for 1/3" and 1/4" Colour and B&W Cameras  
No-Focus-Shift from Visible to Near IR Light Range  
Variable Focal Length  
Aspherical Lens Elements  
CS Mount

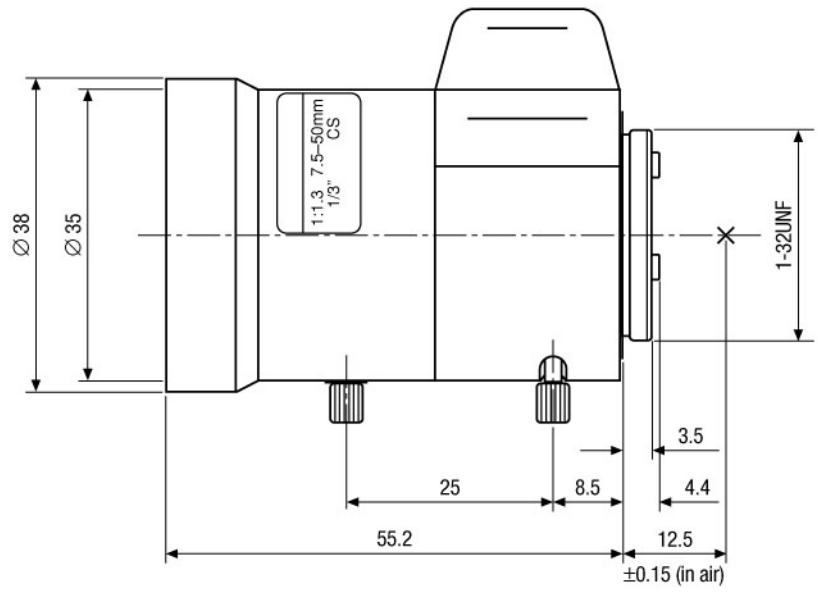
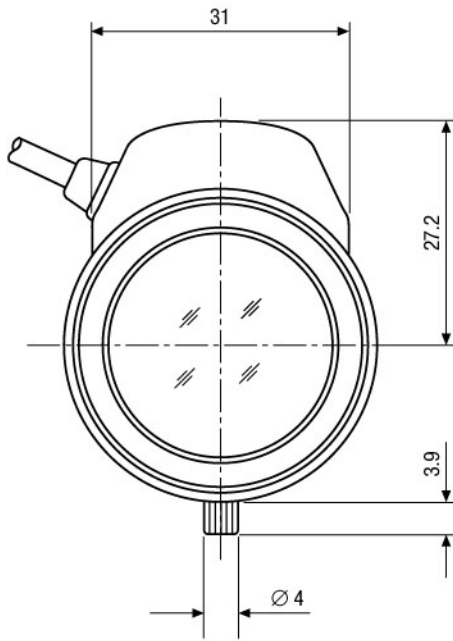
High Standard of Optical and Mechanical Quality  
Without Built-in Auto Iris Amplifier  
4-pin Connector for DC Iris Control  
Adjustable Slip-ring Mount for Cable Positioning

### Specifications

Nominal format size	1/3"
Focal length (f)	7.5 ~ 50mm
Aperture range (F)	F1.3 ~ F240
Iris control system	Galvanometer
Horizontal angle of view at nominal format size	36.6° ~ 5.64°
Minimum object distance (M.O.D.)	0.4m
Focus constant range	+0.05mm at f7.5; +0.04mm at f30; +0.07mm at f50mm (Focus deviation at switch-over to IR light at 880nm)
Flange focal length	12.5mm
Screw-in depth	4.4mm
Filter screw size	-
Slip-ring mount	340° ~ 360° Variable adjustment range
Cable length	Approx. 20cm
4-pin plug	Standard
Lens mount	CS
Temperature range	-20°C ~ +50°C
Dimensions (LxDxH)	see drawing
Weight	68g

## Accessories of

<b>92038 / VKC-1340IR12-24</b>	1/3" Day/Night Camera, HighRes 540TVL, Removable IR Cut Filter, 12VDC/24VAC
<b>92039 / VKC-1340/IR</b>	1/3" Day/Night Camera, HighRes 540TVL, Removable IR Cut Filter, 100-240VAC
<b>91967 / VKC-1330IR12-24</b>	1/3" Day/Night Camera, DSP, EDR, RS-485, Rem. IR Cut Filter, 12VDC/24VAC, 510TVL
<b>91968 / VKC-1330/IR</b>	1/3" Day/Night Camera, DSP, EDR, RS-485, Rem. IR Cut Filter, 230VAC, 510TVL
<b>92486 / CG-311PA1V</b>	1/3" Day/Night Camera with Switchable IR Cut Filter, DSP, 12VDC/24VAC, 480TVL
<b>92488 / CG-301PA1V</b>	1/3" Day/Night Multifunction Camera with WDR, OSD, DSS, 12VDC/24VAC, 480TVL
<b>91995 / VKC-1335/12-24</b>	1/3" D&N, WDR, DSS Camera with Removable IR CF, CS Mount, 12/24V, 480TVL
<b>91996 / VKC-1335</b>	1/3" D&N, WDR, DSS Camera with Removable IR CF, CS Mount, 230VAC, 480TVL
<b>91892 / VKC-1319IR12-24</b>	1/3" Day/Night Camera with Switchable IR Cut Filter, DSP, 12VDC/24VAC, 510TVL
<b>91937 / VKC-1319/IR</b>	1/3" Day/Night Camera with Switchable IR Cut Filter, DSP, 230VAC, 510TVL
<b>91943 / VKC-1323/IR-12V</b>	1/3" Day/Night Camera with Switchable IR Cut Filter, DSP, 12VDC, 480TVL
<b>91423 / ENC-501L</b>	1/3" Network Colour Camera w. CS Mount, integr. Web Server, 5VDC/230VAC, 340TVL
<b>91438 / ENC-501W</b>	1/3" WLAN Colour Camera with Antenna CS-Mount, 6mm Lens, 5VDC/230VAC, 340TVL
<b>91461 / ENC-1003L</b>	1/3" Network Colour Camera w. CS Mount, integr. Web Server, 12VDC/230VAC, 480TVL
<b>92064 / VKC-1341/12-24</b>	1/3" Colour Camera, HighRes 540TVL, 12VDC/24VAC
<b>92065 / VKC-1341</b>	1/3" Colour Camera, HighRes 540TVL, 100-240VAC
<b>91612 / LE075C-DN</b>	1/3" VGA Network D&N Camera, 640x480 Pixels, 24VAC/DC, C/CS, 480TVL
<b>91614 / LE175C-DN</b>	1/2" Megapixel Network D&N Camera, 1280x1024 Pixels, 24VAC/DC, C/CS, 960TVL
<b>91619 / LE275C-DN</b>	1/2" Megapixel Network D&N Camera, 1600x1200 Pixels, 24VAC/DC, 1200TVL
<b>91622 / LE375C-DN</b>	1/2" Megapixel Network D&N Camera, 2048x1536 Pixels, 24VAC/DC, 1500TVL



Maße/Dimensions: mm

VIDEOR TECHNICAL E. Hartig GmbH  
 Carl-Zeiss-Straße 8 · 63322 Rödermark · Germany  
 Telefon +49 (0) 60 74/8 88-0 · Telefax +49 (0) 60 74/8 88-100  
 info@videortechnical.com · www.videortechnical.com

