

# Video Security



## F06Z10NDDCPOIRS

F1.6/6-60mm DC Zoom Lens  
with IR Cut Filter, 1/3" CS Mount

Art-No. 40233



## Features

Suitable for 1/2" and 1/3" Colour and B&W Cameras  
With Integrated IR Cut Filter  
CS Mount  
High Standard of Optical and Mechanical Quality

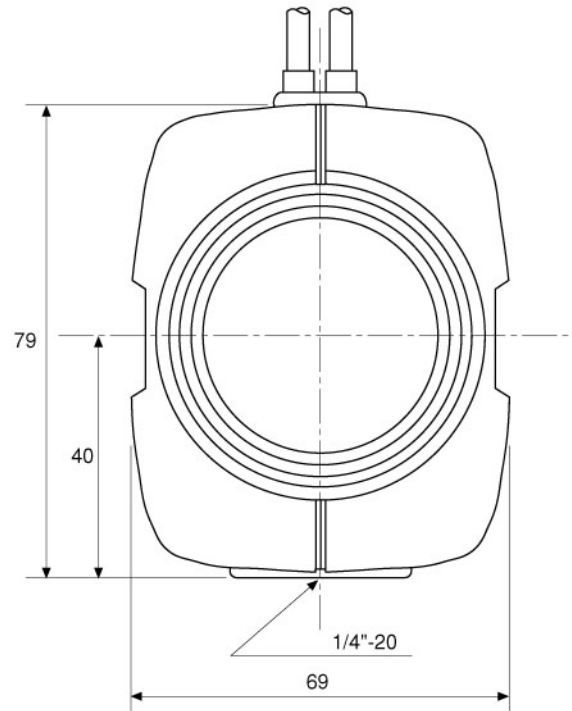
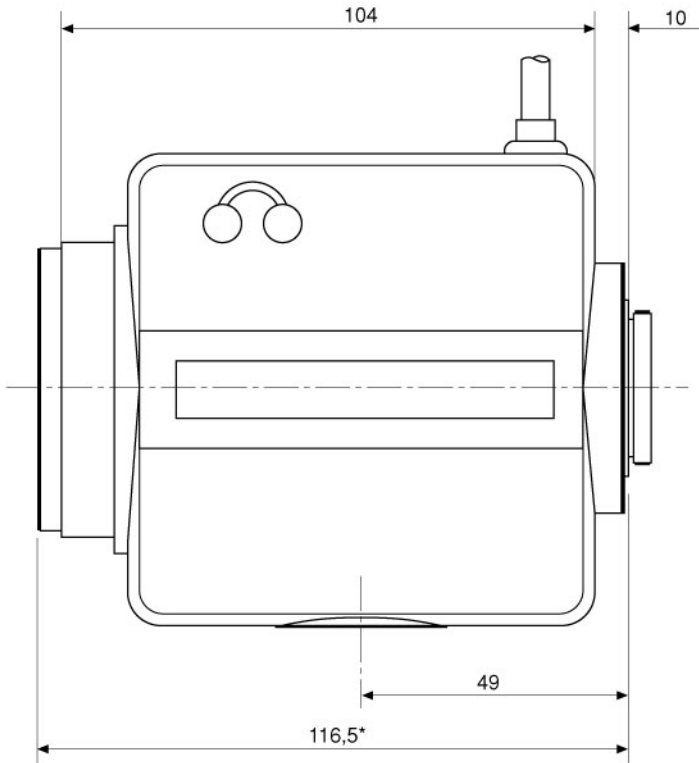
Quality Motors on Focus and Zoom  
Without Built-in Auto Iris Amplifier  
Potentiometers on Focus and Zoom  
Adjustable Slip-ring Mount for Cable Positioning

## Specifications

Nominal format size	1/3"
Focal length (f)	6-60 mm
Aperture range (F)	F1.6-F360
Iris control system	Galvanometer
Horizontal angle of view at nominal format size	44.2°-4.6°
Minimum object distance (M.O.D.)	1.2 m
Flange focal length	12.5 mm
Screw-in depth	4.0 mm
Filter screw size	M55x0.75 mm
Slip-ring mount	340°-360° Variable adjustment range
Cable length	>50 cm
Supply voltage range	8 VDC +/-20%
Max. current consumption/motor (run)	30 mA
Response time	5 sec. (at 8 VDC)
Motor clutch on focus/zoom	Yes
Potentiometer on focus and zoom	Available
Connection	Cable length: 30 cm with 4-pin DC plug
Lens mount	CS
Temperature range	-10°C to +50°C
Dimensions (HxWxD)	See drawing

(Specifications continued)

<b>Weight</b>	550 g
<b>Special feature</b>	Built-in IR cut filter



\* Gemessen in Stellung/Length at:  $\infty$

Maße//Dimensions: mm

VIDEOR TECHNICAL E. Hartig GmbH  
 Carl-Zeiss-Straße 8 · 63322 Rödermark · Germany  
 Telefon +49 (0) 60 74/8 88-0 · Telefax +49 (0) 60 74/8 88-100  
 info@videortechnical.com · www.videortechnical.com

