

## DC Controlled Lenses

FDP-No. : 41105

### F06Z10NDDC EC

- Suitable for 1/3" Colour and Black & White Cameras
- CS Mount
- DC Controlled Iris
- Lens Design Exclusive for Motorization
- High Standard of Optical and Mechanical Quality
- Quality Motors on Focus and Zoom
- Adjustable Slipring Mount for Cable Positioning
- DC Plug as Standard



---

### Specifications:

---

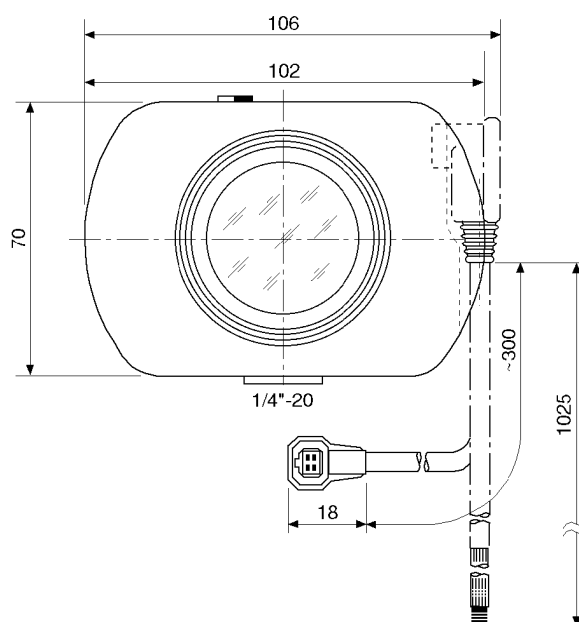
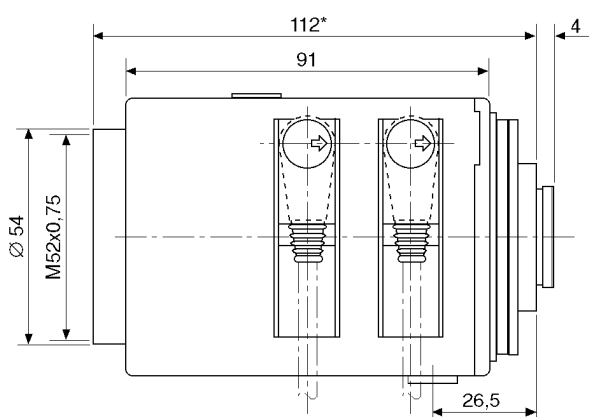
Focal length (f)	6-60 mm
Aperture range (F)	F1.4-F360
Mount	CS
Nominal format size	1/3"
Flange focal length	12.5 mm
Horizontal angle of view at nominal format size	44°-4.5°
Minimum object distance (M.O.D.)	1.3 m
Screw-in depth	4.0 mm
Filter screw size	M52x0.75 mm
Slip-ring mount	340°-360° Variable adjustment range
Iris control:	
Iris control system	Galvanometer
Connection	Cable length: 20 cm, with 4-pin DC plug
Focus/Zoom:	
Supply voltage range	6 or 12 VDC +/-10%
Max. current consumption/motor (run)	25 mA
Response time	Approx. 7 sec. (at 6/12 V)
Motor clutch on focus/zoom	Yes
Temperature range	-5°C to +50°C

---

# F06Z10NDDC EC

Cable length	Approx. 30 cm
Dimensions (LxD)	112x102 mm
Weight	390 g

Accessories	
EDP No. / Type	Description
43094 ACB	Auto iris control box for DC iris lenses to AI output. With integrated Level and ALC adj. potentiom.



\* Gemessen in Stellung/Length at: ∞

Maße/Dimensions: mm

e-mail: [info@eneo-security.com](mailto:info@eneo-security.com) • [www.eneo-security.com](http://www.eneo-security.com)