

Video Security

Lenses | Zoom Lenses

F06Z10NDDC-1

F1.4/6-60mm DC Motor Zoom Lens, 1/3" CS Mount

Art-No. 41114



Features

Suitable for 1/3" and 1/4" Colour and B&W Cameras
CS Mount
DC Controlled Iris
Lens Design Exclusive for Motorization
10x Focal Length Range

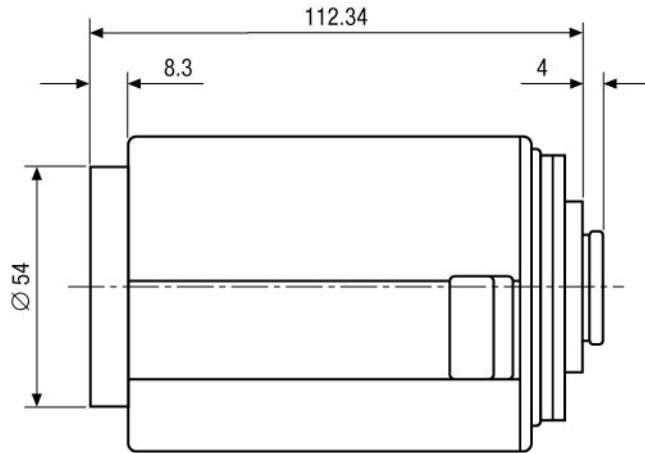
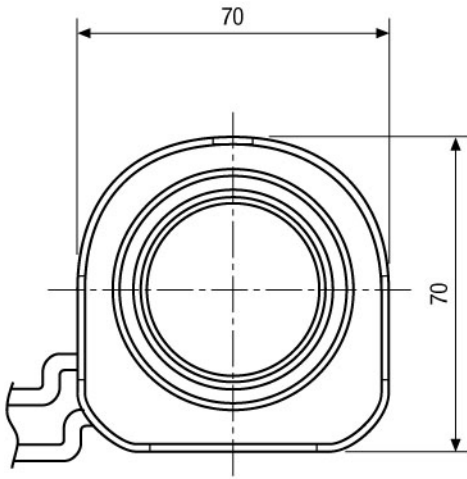
High Standard of Optical and Mechanical Quality
Quality Motors on Focus and Zoom
Adjustable Slip-ring Mount for Cable Positioning
4-pin Connector for DC Iris Control

Specifications

Nominal format size	1/3"
Focal length (f)	6-60mm
Zoom range	10x
Aperture range (F)	F1.4-F190 (usable filter density)
Iris control system	Galvanometer
Horizontal angle of view at nominal format size	43.4°-4.5°
Minimum object distance (M.O.D.)	1.3m
Flange focal length	12.5mm
Screw-in depth	4.0mm
Filter screw size	M52x0.75mm
Slip-ring mount	340°-360° Variable adjustment range
Cable length	100cm
Supply voltage range	6 or 12VDC +/-10%
Max. current consumption/motor (run)	Approx. 10mA (at 8VDC)
Response time	Approx. 13sec. (at 8VDC)
Motor clutch on focus/zoom	Yes
Connection	Cable length: Approx. 20cm, with 4-pin DC plug
Lens mount	CS
Temperature range	-5°C to +50°C

(Specifications continued)

Dimensions (LxD)	See drawing
Weight	380g



Maße/Dimensions: mm

VIDEOR TECHNICAL E. Hartig GmbH
 Carl-Zeiss-Straße 8 · 63322 Rödermark · Germany
 Telefon +49 (0) 60 74/8 88-0 · Telefax +49 (0) 60 74/8 88-100
 info@videortechnical.com · www.videortechnical.com

