

Video Security



|

F04Z03NDDC

F1.4/3.5-8mm DC Lens, 1/3" CS Mount,
Variable Focal Length

Art-No. 43206



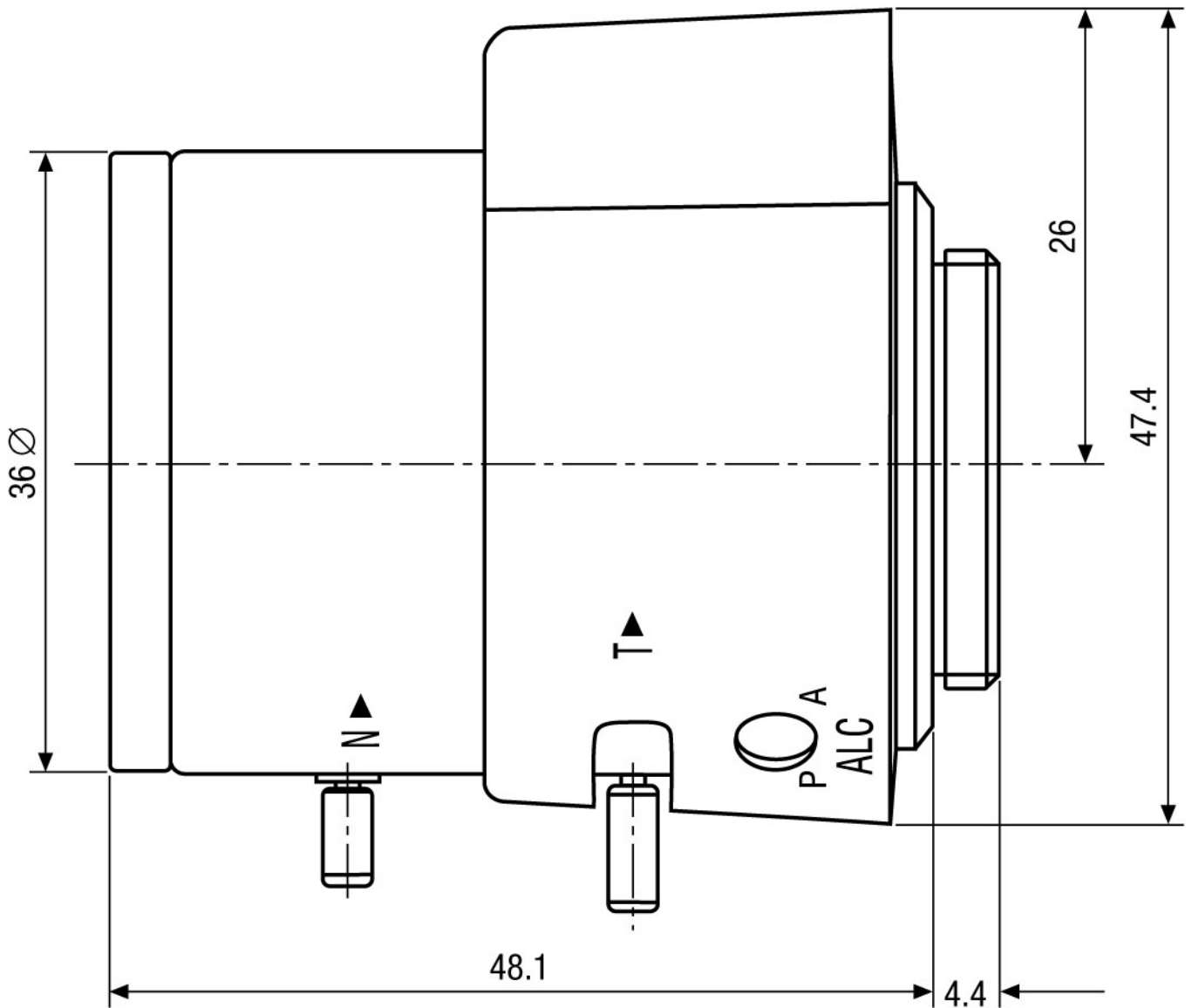
Features

For Colour and Black & White Cameras
CS Mount
Variable Focal Length
High Standard of Optical and Mechanical Quality

Without Built-in Auto Iris Amplifier
4-pin Connector for DC Iris Control
Adjustable Slip-ring Mount for Cable Positioning

Specifications

Nominal format size	1/3"
Focal length (f)	3.5-8 mm
Aperture range (F)	F1.4-F360
Iris control system	Galvanometer
Horizontal angle of view at nominal format size	73.8°-35°
Minimum object distance (M.O.D.)	0.3 m
Flange focal length	12.5 mm
Screw-in depth	4.4 mm
Filter screw size	-
Slip-ring mount	340°-360° Variable adjustment range
Cable length	Approx. 20 cm
4-pin plug	Standard
Lens mount	CS
Temperature range	-20°C to +50°C
Dimensions (LxDxH)	See drawing
Weight	76.6 g



Maße/Dimensions: mm