

Video Security



F03Z04M

F1.4/2.8-12mm Aspherical Lens, 1/3" CS Mount, Variable Focal Length

Art-No. 43212



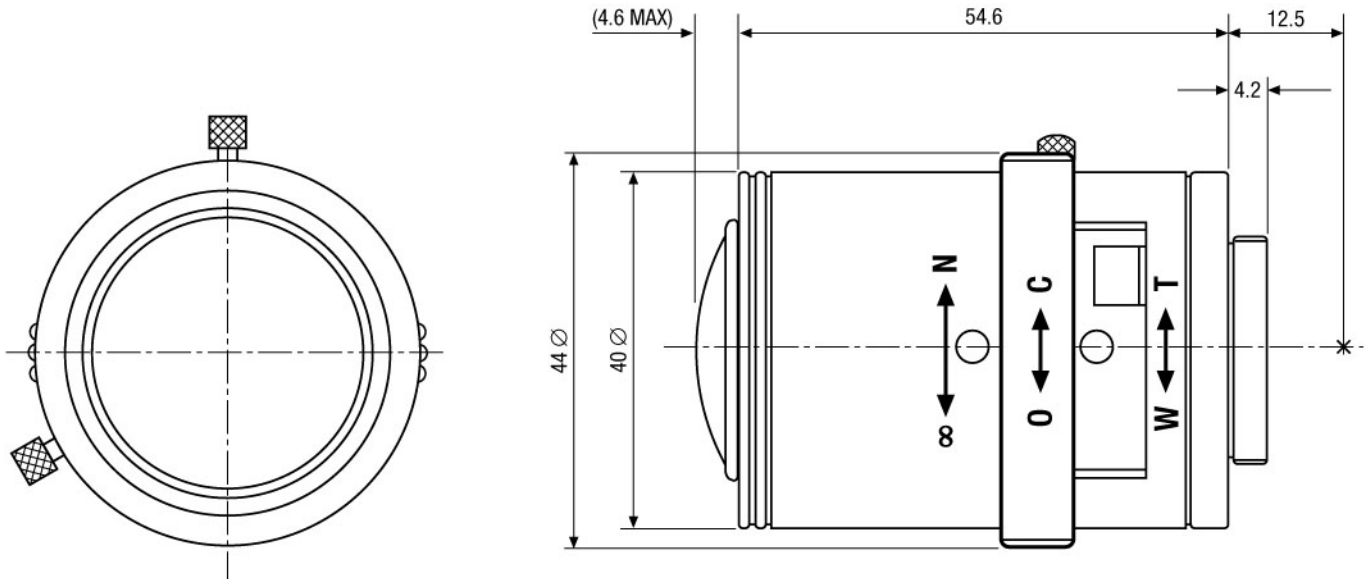
Features

Suitable for 1/2" and 1/3" Colour and B&W Cameras
Variable Focal Length
Aspherical Lens Elements
High Resolution and Contrast

CS Mount
High Standard of Optical and Mechanical Quality
For Use in Industrial and Security Sectors

Specifications

Nominal format size	1/3"
Focal length (f)	2.8-12 mm
Aperture range (F)	F1.4-C
Flange focal length	12.5 mm
Horizontal angle of view at nominal format size	97.4°-24.1°
Minimum object distance (M.O.D.)	0.3 m
Screw-in depth	4.2 mm
Filter screw size	-
Lens mount	CS
Dimensions (LxD)	See drawing
Weight	72 g
Remarks	Aspherical lens



Maße/Dimensions: mm

VIDEOR TECHNICAL E. Hartig GmbH
 Carl-Zeiss-Straße 8 · 63322 Rödermark · Germany
 Telefon +49 (0) 60 74/8 88-0 · Telefax +49 (0) 60 74/8 88-100
 info@videortechnical.com · www.videortechnical.com

