

# Video Security



## F03Z0310M

F1.0/2.7-8mm Lens, 1/3" CS Mount,  
Variable Focal Length

Art-No. 43216



## Features

Suitable for 1/2" and 1/3" Colour and B&W Cameras  
Variable Focal Length  
Aspherical Lens Elements  
High Resolution and Contrast

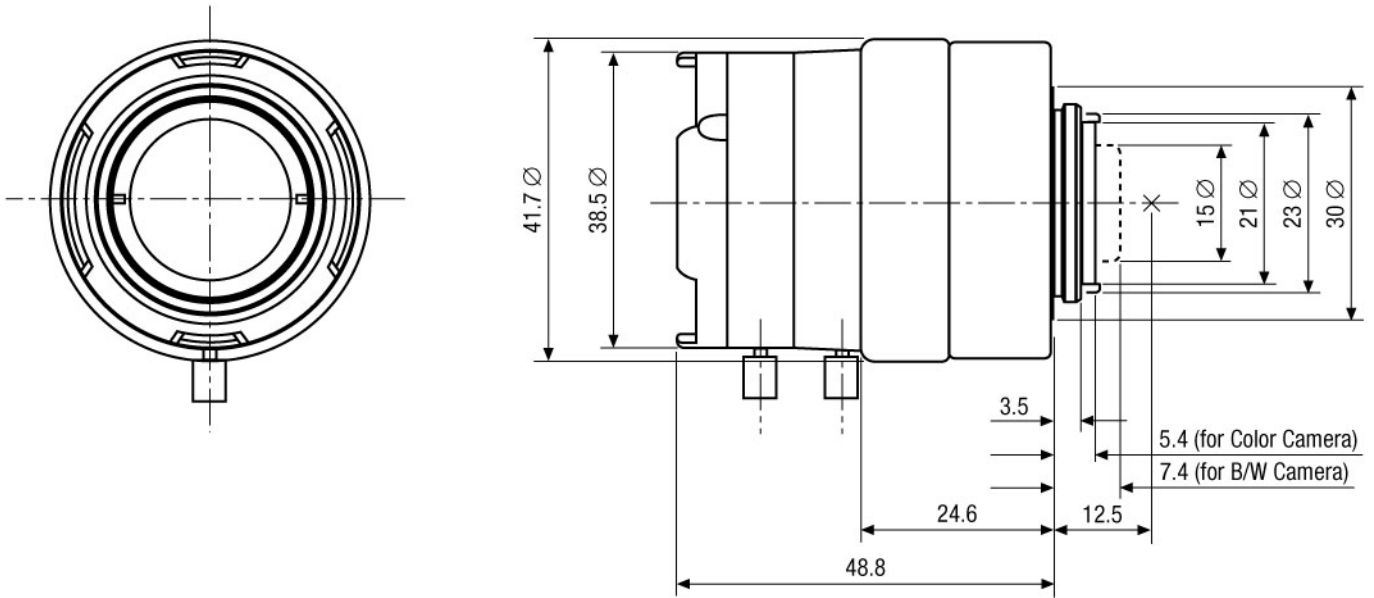
CS Mount  
High Standard of Optical and Mechanical Quality  
For Use in Industrial and Security Sectors

## Specifications

Nominal format size	1/3"
Focal length (f)	2.7-8 mm
Aperture range (F)	F1.0-C
Flange focal length	12.5 mm
Horizontal angle of view at nominal format size	100°-36.2°
Minimum object distance (M.O.D.)	0.3 m
Screw-in depth	Colour: 5.4 mm; B&W: 7.4 mm*)
Filter screw size	-
Lens mount	CS
Dimensions (LxD)	See drawing
Weight	64 g
Remarks	Lockable focus and zoom ring

## Product Information

\*) Not suitable for the Fujitsu cameras TCZ-264C and TCZ-294C



Maße/Dimensions: mm