

Video Security



Lenses | Varifocal Lenses

F03Z0310-1M

F1.0/2.9-8,2mm Lens, 1/3" CS Mount,
Variable Focal Length

Art-No. 43256



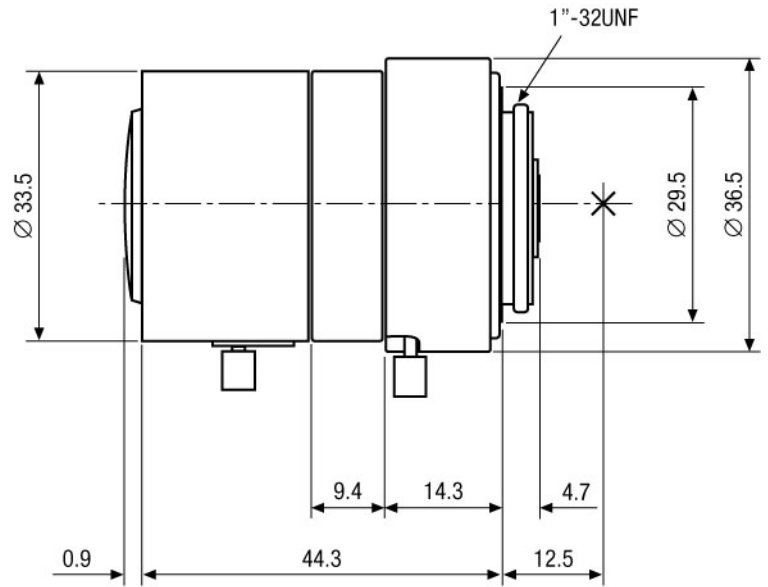
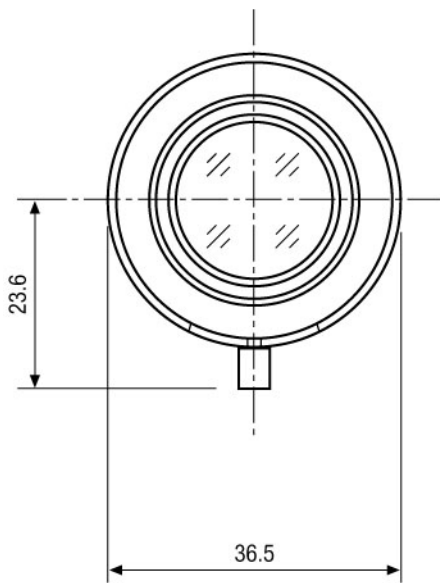
Features

Suitable for 1/2" and 1/3" Colour and B&W Cameras
Variable Focal Length
Aspherical Lens Elements
High Resolution and Contrast

CS Mount
High Standard of Optical and Mechanical Quality
Lockable Focus and Zoom Ring
For Use in Industrial and Security Sectors

Specifications

Lens type	varifocal
Application range	security
Aspherical technology	yes
Nominal format size	1/3"
Flange focal length	12.5mm
Mount	CS
Focal length	2,9-8,2mm
Horizontal angle of view	98,3-35,2°
Minimum object distance (M.O.D.)	0.5m
Aperture range (F)	F1.0 ~ 16(C)
Iris control	manual
Screw-in depth	4.7mm
Filter screw size	-
Temperature range (Operation)	-10° ~ +50°C
Dimensions (LxD)	See drawing
Weight	41g
Remarks	Lockable focus and zoom ring



Maße/Dimensions: mm

VIDEOR TECHNICAL E. Hartig GmbH
 Carl-Zeiss-Straße 8 · 63322 Rödermark · Germany
 Telefon +49 (0) 60 74/8 88-0 · Telefax +49 (0) 60 74/8 88-100
 info@videortechnical.com · www.videortechnical.com

