

Video Security



Lenses | Day/Night Lenses

F03Z2.710DC-NFS

F1.0/3-8mm DC Lens/var. Focal Length with No Focus Shift, 1/3" CS Mount

Art-No. 43238



Features

Suitable for 1/3" and 1/4" Colour and B&W Cameras
No-Focus-Shift from Visible to Near IR Light Range
Variable Focal Length
Aspherical Lens Elements
CS Mount

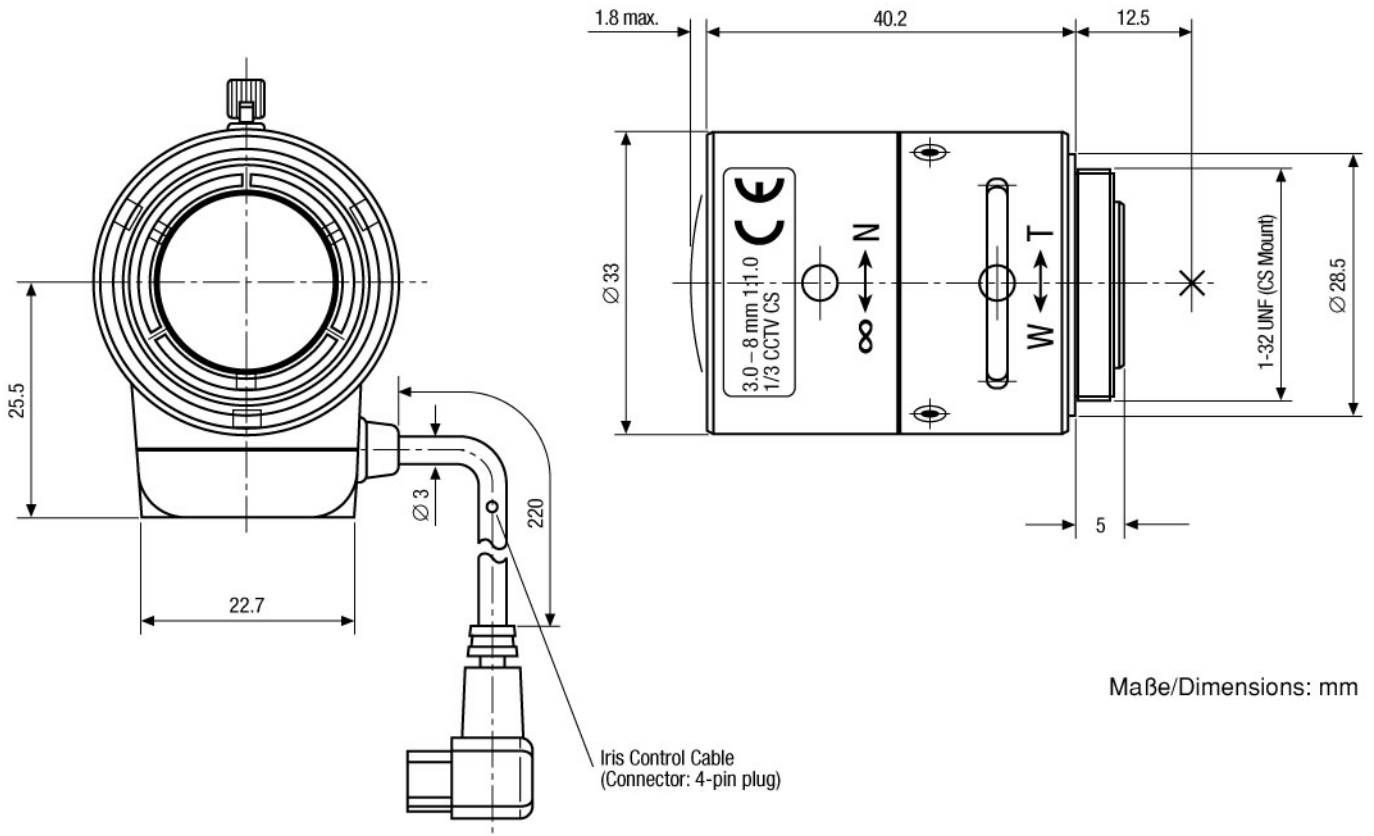
High Standard of Optical and Mechanical Quality
Without Built-in Auto Iris Amplifier
With 4-pin Connector
Adjustable Slip-ring Mount for Cable Positioning

Specifications

Nominal format size	1/3"
Focal length (f)	3.0-8mm
Aperture range (F)	F1.0-F240
Iris control system	Galvanometer
Horizontal angle of view at nominal format size	90.8°-36.2°
Minimum object distance (M.O.D.)	0.2m
Focus constant range	+0.03mm at f3.0mm; +0.03mm at f8.0mm (Focus deviation at switch-over to IR light at 880nm)
Flange focal length	12.5mm
Screw-in depth	5.0mm
Filter screw size	-
Slip-ring mount	340°-360° Variable adjustment range
Cable length	Approx. 20cm
4-pin plug	Standard
Lens mount	CS
Temperature range	-20°C to +50°C
Dimensions (LxDxH)	See drawing
Weight	Approx. 40g

Accessories of

91892 / VKC-1319IR12-24	1/3" Day/Night Camera with Switchable IR Cut Filter, DSP, 12VDC/24VAC, 510TVL
92486 / CG-311PA1V	1/3" Day/Night Camera with Switchable IR Cut Filter, DSP, 12VDC/24VAC, 480TVL
91937 / VKC-1319/IR	1/3" Day/Night Camera with Switchable IR Cut Filter, DSP, 230VAC, 510TVL
91943 / VKC-1323/IR-12V	1/3" Day/Night Camera with Switchable IR Cut Filter, DSP, 12VDC, 480TVL
91967 / VKC-1330IR12-24	1/3" Day/Night Camera, DSP, EDR, RS-485, Rem. IR Cut Filter, 12VDC/24VAC, 510TVL
91968 / VKC-1330/IR	1/3" Day/Night Camera, DSP, EDR, RS-485, Rem. IR Cut Filter, 230VAC, 510TVL
91423 / ENC-501L	1/3" Network Colour Camera w. CS Mount, integr. Web Server, 5VDC/230VAC, 340TVL
91438 / ENC-501W	1/3" WLAN Colour Camera with Antenna CS-Mount, 6mm Lens, 5VDC/230VAC, 340TVL
92488 / CG-301PA1V	1/3" Day/Night Multifunction Camera with WDR, OSD, DSS, 12VDC/24VAC, 480TVL
92038 / VKC-1340IR12-24	1/3" Day/Night Camera, HighRes 540TVL, Removable IR Cut Filter, 12VDC/24VAC
92039 / VKC-1340/IR	1/3" Day/Night Camera, HighRes 540TVL, Removable IR Cut Filter, 100-240VAC
92064 / VKC-1341/12-24	1/3" Colour Camera, HighRes 540TVL, 12VDC/24VAC
92065 / VKC-1341	1/3" Colour Camera, HighRes 540TVL, 100-240VAC



VIDEOR TECHNICAL E. Hartig GmbH
 Carl-Zeiss-Straße 8 · 63322 Rödermark · Germany
 Telefon +49 (0) 60 74/8 88-0 · Telefax +49 (0) 60 74/8 88-100
 info@videortechnical.com · www.videortechnical.com