

Video Security



F0216M

F1,6/2,6mm Wide Angle Lens, 1/3"

CS Mount

Art-No. 43134



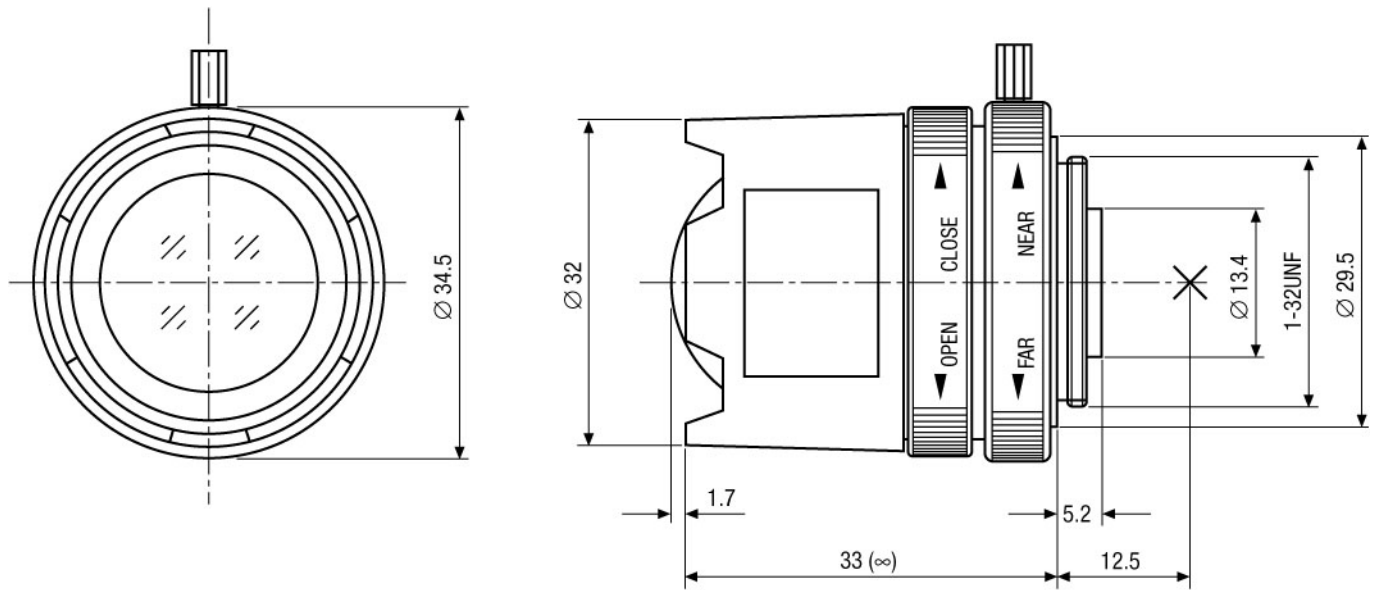
Features

For Colour and Black & White Cameras
High Resolution and Contrast
CS Mount

High Standard of Optical and Mechanical Quality
For Use in Industrial and Security Sectors

Specifications

Nominal format size	1/3"
Focal length (f)	2.6mm
Aperture range (F)	F1.6-11C
Flange focal length	12.5mm
Horizontal angle of view at nominal format size	99.6°
Minimum objekt distance (M.O.D.)	0.3m
Screw-in depth	5.2mm
Filter screw size	-
Lens mount	CS
Temperature range	-20° to +50°C
Dimensions (LxD)	See drawing
Weight	45g



Maße/Dimensions: mm

VIDEOR TECHNICAL E. Hartig GmbH
 Carl-Zeiss-Straße 8 · 63322 Rödermark · Germany
 Telefon +49 (0) 60 74/8 88-0 · Telefax +49 (0) 60 74/8 88-100
 info@videortechnical.com · www.videortechnical.com



VIDEOR TECHNICAL