

Video Security

Housings | eneo Stainless Steel Housings

ESH-20

Stainless Steel Housing AISI 316, 320mm
Water Cooled, IP68, 2x M16x1.5

Art-No. 79625



Features

Stainless Steel Housing according to EN10088
Integrated Air Barrier for Window Clearing
Air and Liquid Hose Connections
Internal Dimensions: 85x85x320mm
Window Diameter: 96mm
2 Cable Entries M16x1.5mm

Polished Surface / Protection Rating: IP68
Envir. Temperature upto 400°C at 7.5lt. Water Flow
Option: Wall bracket/Power Supplies/IR Filters
Option: Filter Holder/Special Windows (upto 900°C)
Recommended Connection Cable: MCAB-1, #87404

Specifications

Housing length	320mm (usable camera length) 282mm with PSU
Space for power supply	60mm
Cable entries	2x Metal glands M16x1.5mm
Window screen	Tempered glass 96x6mm (Diam. x thickness) with air barrier nozzles. Temperature range: up to +260°C (other glasses: up on request)
Clear Shield	no
Heater/sunshield	-
Window heater	no
Sunshield	no
Hidden cable management	no
Integrated wall mount	no
Protection rating	IP68
Housing	indoor housing, Stainless steel AISI 316 (X5CrNiMo)
Housing material	stainless steel
Colour (housing)	metal look, polished

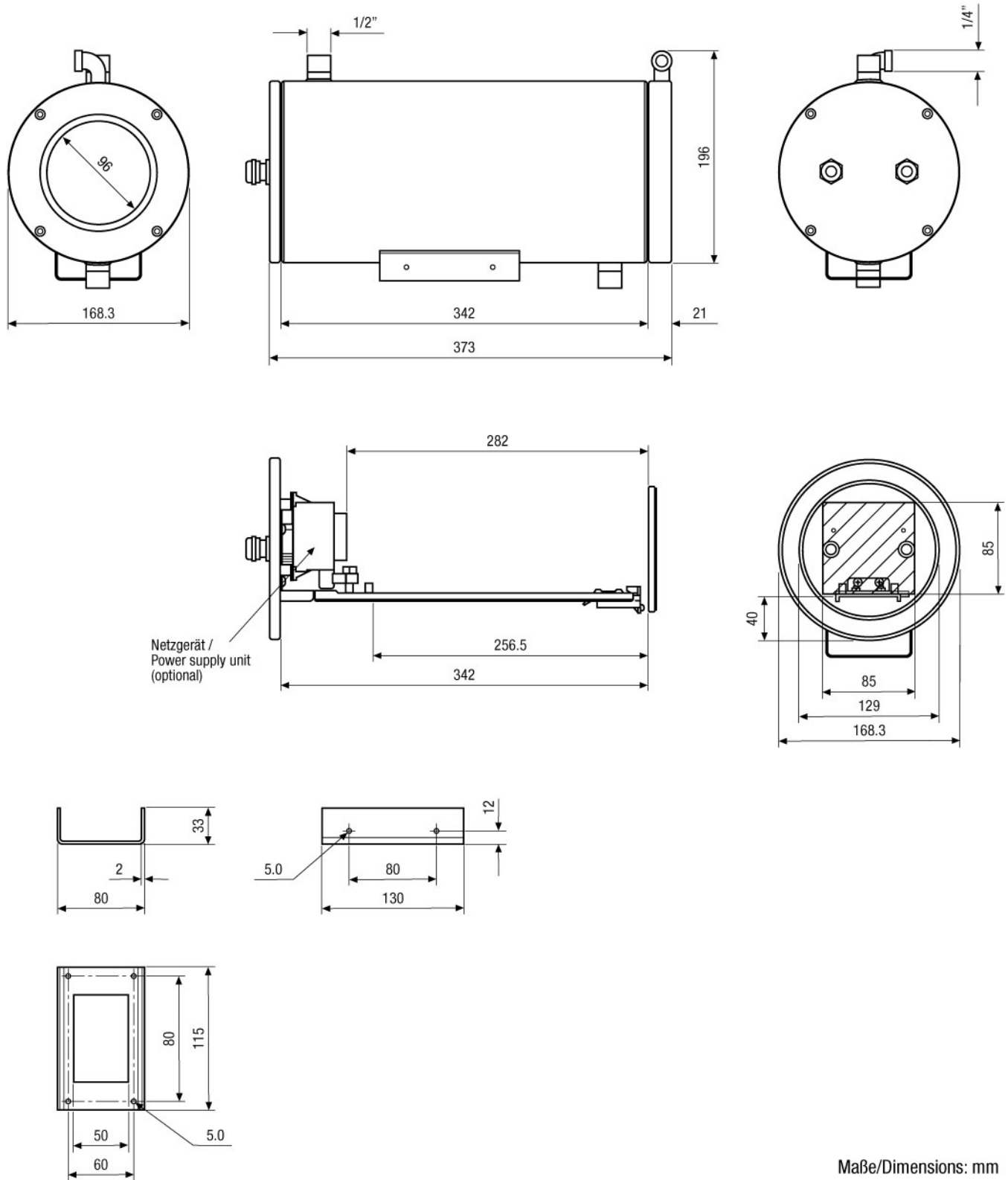
ESH-20

(Specifications continued)

Usable temperature range	Environmental temp. 200°C, water flow 2l/min: <35°C inside temp. Environmental temp. 300°C, water flow 2.5l/min: <45°C inside temp. Environmental temp. 400°C, water flow 7.5l/min: <50°C inside temp.
Dimensions (HxWxD)	See drawing
Weight	12kg

Accessories

79656 / ESH/CB	Ceiling Mount Bracket with Swivel Head for ESH Housing Series, AISI 316
79629 / ESH/WB	Wall Mount with Swivel Head for ESH Housing Series, AISI 316
79655 / ESH/PM	Pole Mount Kit for ESH/WB, AISI 316, ESH Housing Series
79635 / ESH/NE12VDC	Power Supply Unit 230V0/12VDC (400mA) for ESH Housing Series
79636 / ESH/NE24VAC	Power Supply Unit 230V/24VAC (400mA) for ESH Housing Series
79632 / ESH/AIR FILTER	Air Filter for ESH-20 Stainless Steel Housing
70457 / AK-3	Camera Connection box, 230VAC Input 24VAC-100W, 12VDC-1A Output



Maße/Dimensions: mm

VIDEOR TECHNICAL E. Hartig GmbH
 Carl-Zeiss-Straße 8 · 63322 Rödermark · Germany
 Telefon +49 (0) 60 74/8 88-0 · Telefax +49 (0) 60 74/8 88-100
 info@videortechnical.com · www.videortechnical.com

