

# Video Networking



## ENC-1004L

1/3" Network Colour Camera w. CS Mount,  
integr. Web Server, 5VDC/230VAC, 480TVL

Art-No. 91523



## Features

1/3" CCD Colour Camera with C/CS Mount  
Horizontal Resolution of 480 TV Lines  
Automatic Shutter Control (AES)  
MJPEG or MPEG-4 Video Compression  
Simultaneous Video and Audio Signal Transmission  
E-Mail and FTP Transmission of Important Events

Integrated Activity Detection  
Ethernet Interface: 10/100Base-TX  
Supports Various Network Environments  
Alarm In/Output, Audio Output  
Upgrade via SD Card, USB Interface and Network  
SD Socket for Local Video Storage by SD Cards

## Specifications

<b>Imager</b>	1/3" Sony Super HAD Interline Transfer CCD (with HQ1 DSP)
<b>Manual electronic shutter (MES)</b>	1/1000sec. fixed
<b>White balance (AWB)</b>	2500 ~ 9500K
<b>Mirror function</b>	Supplied
<b>Flickerless function</b>	Supplied
<b>Privacy Zone masking</b>	3 areas
<b>Picture adjustments</b>	Max. AGC gain, Contrast, Brightness, BLC, Sharpness, Colour saturation and Fluorescent light
<b>Audio</b>	Built-in Microphone, 16Bit, 8kHz
<b>Digital signature</b>	MJPEG watermark
<b>USB Interface</b>	Supplied
<b>MPEG4 Quality</b>	5 fixed levels and customized Bitrate (from 64kBps ~ 8MBps)
<b>System</b>	CCIR/PAL
<b>Active picture elements</b>	Approx. 440,000; (H) 752 x (V) 582 Pixels
<b>Resolution</b>	480 TV lines (camera); 704x576 (D1), 704x288 (half D1), 352x288 (CIF)
<b>Sensitivity at 50% video signal</b>	0.5Lux at F1.2 and AGC 24dB (VT measurement result)

## ENC-1004L

(Specifications continued)

<b>Automatic gain control (AGC)</b>	24/30dB selectable
<b>Automatic shutter control (AES)</b>	1/50 - 1/100,000Sec.
<b>Activity detection</b>	Integrated motion detector, 96 zones, 5 levels sensitivity (MJPEG)
<b>Lens mount</b>	C/CS
<b>Usable iris controls</b>	Manual/DC controlled iris
<b>Secondary Storage</b>	Via SD card
<b>Recording</b>	on PC with Viewer Software or on SD Card on camera side
<b>Video output</b>	1Vp-p, CVBS, 75ohms, BNC
<b>Compression standard</b>	MJPEG or MPEG4
<b>Frame rate</b>	25 frames/sec. max. (recording mode), Picture size: 4 - 64KB (MJPEG)
<b>Transmission rate</b>	30, 24, 15 Fields/Sek. (MPEG4 at all resolutions), 2.4MBit/sec. via Network
<b>Image display</b>	Via Web Browser or LAN Cam Viewer Software
<b>Alarm input</b>	1 (software controlled)
<b>Alarm outputs</b>	Open collector (5V / 0.02A max.)
<b>Alarm handling</b>	Automatic connection setup to a specified IP address (FTP)
<b>Ethernet interface</b>	10/100 Base-TX, RJ45, MDIX protocol support
<b>Protocols</b>	TCP/IP, ICMP, FTP, DHCP, HTTP, DNS, DNNS, UDP, SNMP, UpnP, SMTP
<b>Software upgrade</b>	via SD card, RS-232, USB or FTP
<b>Operation protection</b>	Multilevel and Multiuser - Password protected
<b>Serial interfaces</b>	RS-232, RS-485
<b>Supply voltage</b>	5VDC +/-10% (Power supply unit included)
<b>Power consumption</b>	Approx. 2.0watts
<b>Camera mount</b>	CS 1/4" - 20 UNC thread on bottom side
<b>Housing</b>	metal
<b>Colour</b>	Grey
<b>Temperature range</b>	5°C ~ 50°C
<b>Dimensions (HxWxD)</b>	See drawing
<b>Weight</b>	Approx. 360g
<b>Parts supplied</b>	Lan-Cam-Viewer Software, Power supply 230V/50Hz - 2A, C/CS mount ring, Manual

## Accessories

<b>71856 / DNR-108/80</b>	Digital IP Recorder (8 Channel), 80Gb 12VDC/230VAC
<b>76011 / ZELARIS_AC S</b>	Surveillance Software for Network Cameras from Eneo, Axis
<b>76012 / ZELARIS_AC C</b>	Client Software for Zelaris_AC S
<b>76023 / ZELARIS_AC SMO</b>	Site Map Option for Zelaris_AC S

## Accessories of

71856 / DNR-108/80

Digital IP Recorder (8 Channel), 80Gb 12VDC/230VAC

71875 / DNR-108/80W

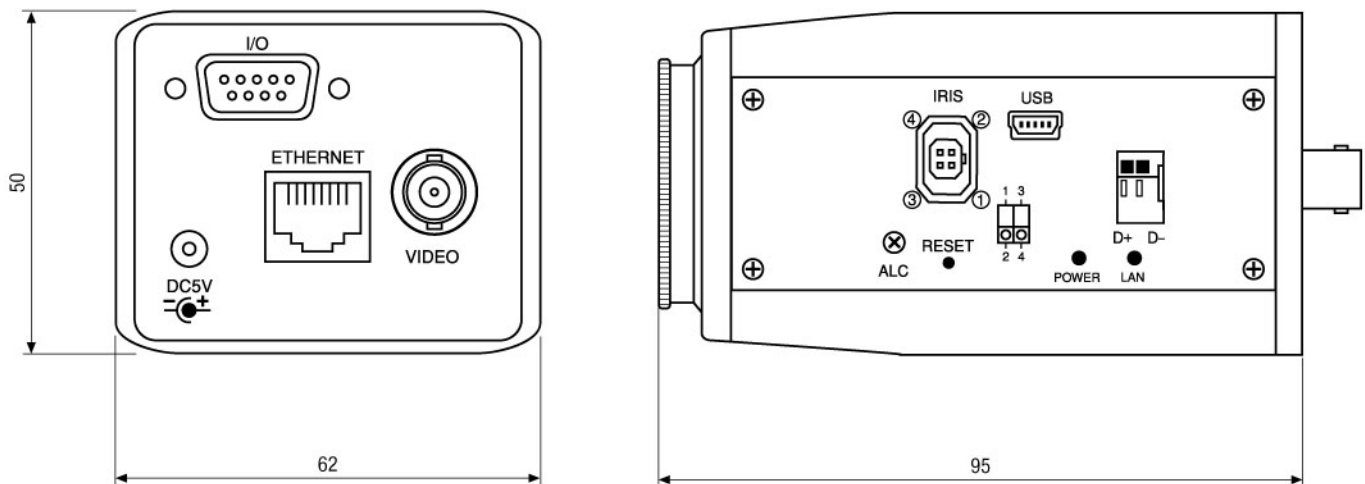
Digital W LAN IP Recorder (8 Channel), 80Gb,  
12VDC/230VAC

## Product Information

Viewer Software for the recording of upto 16 cameras ENC-1004L

System requirements for the Viewer Software:

- Standard PC with P-IV processor and >1.8GHz system clock
- Windows 2000 or Win XP
- Network connection 10/100 Base-Tx
- Internet Explorer 5 or higher
- Hard disk 80Gb, depend on recording demand
- RAM 512Mb (recommended)



Maße/Dimensions: mm

VIDEOR TECHNICAL E. Hartig GmbH  
 Carl-Zeiss-Straße 8 · 63322 Rödermark · Germany  
 Telefon +49 (0) 60 74/8 88-0 · Telefax +49 (0) 60 74/8 88-100  
 info@videortechnical.com · www.videortechnical.com

