

Video Security



Housings | eneo Board Camera Housings

EMG-2

Dome Corner Mount Housing for Board Cameras, Pantone Coolgray 1C

Art-No. 71566



Features

For Corner Mount
3mm Clear Lexan Bubble 3.15" (8cm)
Adjustable Camera Mount
For Board Cameras upto 42x42 mm

Vandal and Tamper-Resistant
For Easy Indoor and Outdoor Installation
Housing Finish: Pantone Coolgray 1C

Specifications

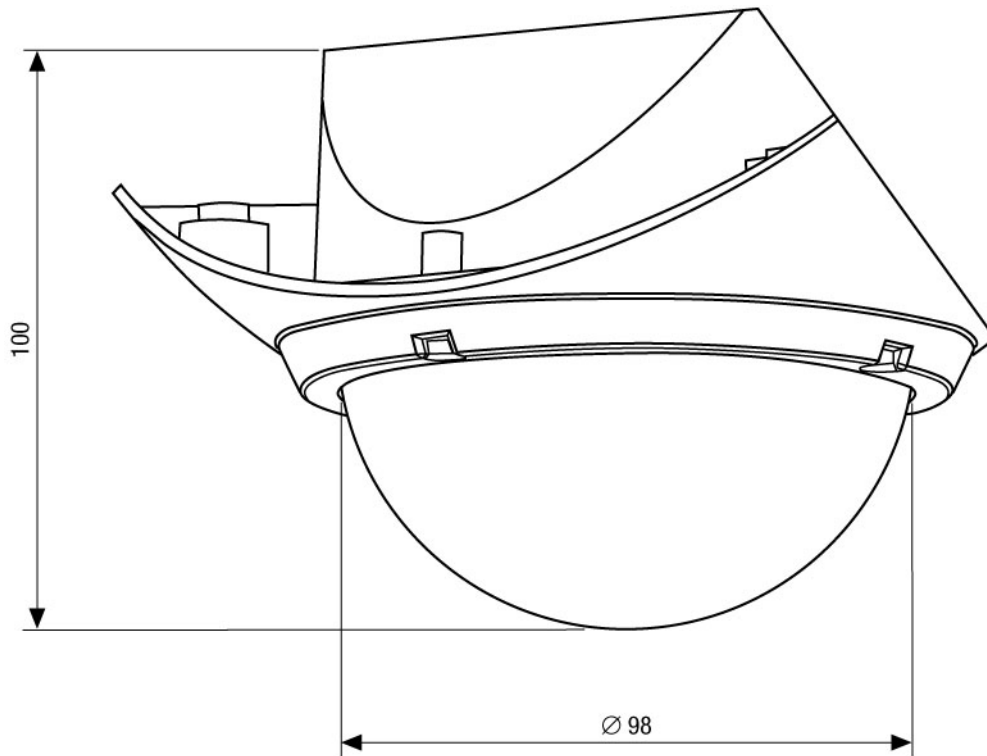
Camera fixing	board, Board cameras upto 60 (L) x 42 (W) x 62 (H) mm
Camera mount	On a turn and tiltable mounting bracket Adjustment range: 360° (H), 0 to 90° (V)
Bubble	Vandal resistant 3mm clear polycarbonate bubble
Heater	no
Voltage input	40VAC max.
Protection rating	IP65, at installation according to the manual
Cable entry	Rubber rings
Mounting	corner mount
Vandalism resistant	yes
Housing	indoor housing, Die-cast aluminium with clear polycarbonate bubble
Housing material	aluminium
Colour (housing)	Pantone Cool Gray 1C
Colour (bubble)	clear
Dimensions (HxWxD)	See drawing
Weight	450g
Parts supplied	Mounting kit, Torx wrench key

70448 / VT-PS12DC-6

Plug-in Power Supply Unit 100-240VAC 12VDC (1.0Amp),
Regulated, w. open Ends

73844 / FW7362/12

Plugable AC/DC Adapter 100-240V/12VDC-2.5A, Regulated



Maße/Dimensions: mm