

Video Security



Housings | eneo Board Camera Housings

EMG-1

Corner Mount Housing for Board Cameras
Pantone Coolgray 1C

Art-No. 71497



Features

For Corner Mount
Clear Lexan Window Screen (1.0 F-stop reduction)
For Board Cameras upto 42x42 mm

Vandal and Tamper-Resistant
For Easy Indoor and Outdoor Installation
Housing Finish: Pantone Coolgray 1C

Specifications

Camera fixing	Board cameras upto 42 (L) x 42 (W) x 65 (H) mm
Camera mount	On a turn and tiltable mounting bracket
Heater	-
Voltage input	40 VAC max.
Cable entry	3/4" and 1/2" thread for conduit glands, lock stopper included
Protection rating	IP X5 (IP65 at proper installation, e. g. using of all sealing rings and appropriate glands)
Mounting	Corner surface mount
Housing	Die-cast aluminium with tinted polycarbonate window screen
Colour	Pantone Coolgray 1C
Dimensions (HxWxD)	See drawing
Weight	560 g
Parts supplied	Mounting kit, 1/2" gland, Blind covers, Torx wrench key

Accessories

73844 / FW7362/12	Plugable AC/DC Adapter 100-240V/12VDC-2.5A, Regulated
77779 / VT-PS12DC-UK	Power Supply Unit w. UK Mains plug-in, 100-240VAC/12VDC-1.0A, Regul., open Ends

EMG-1

(Accessories continued)

70448 / VT-PS12DC-6

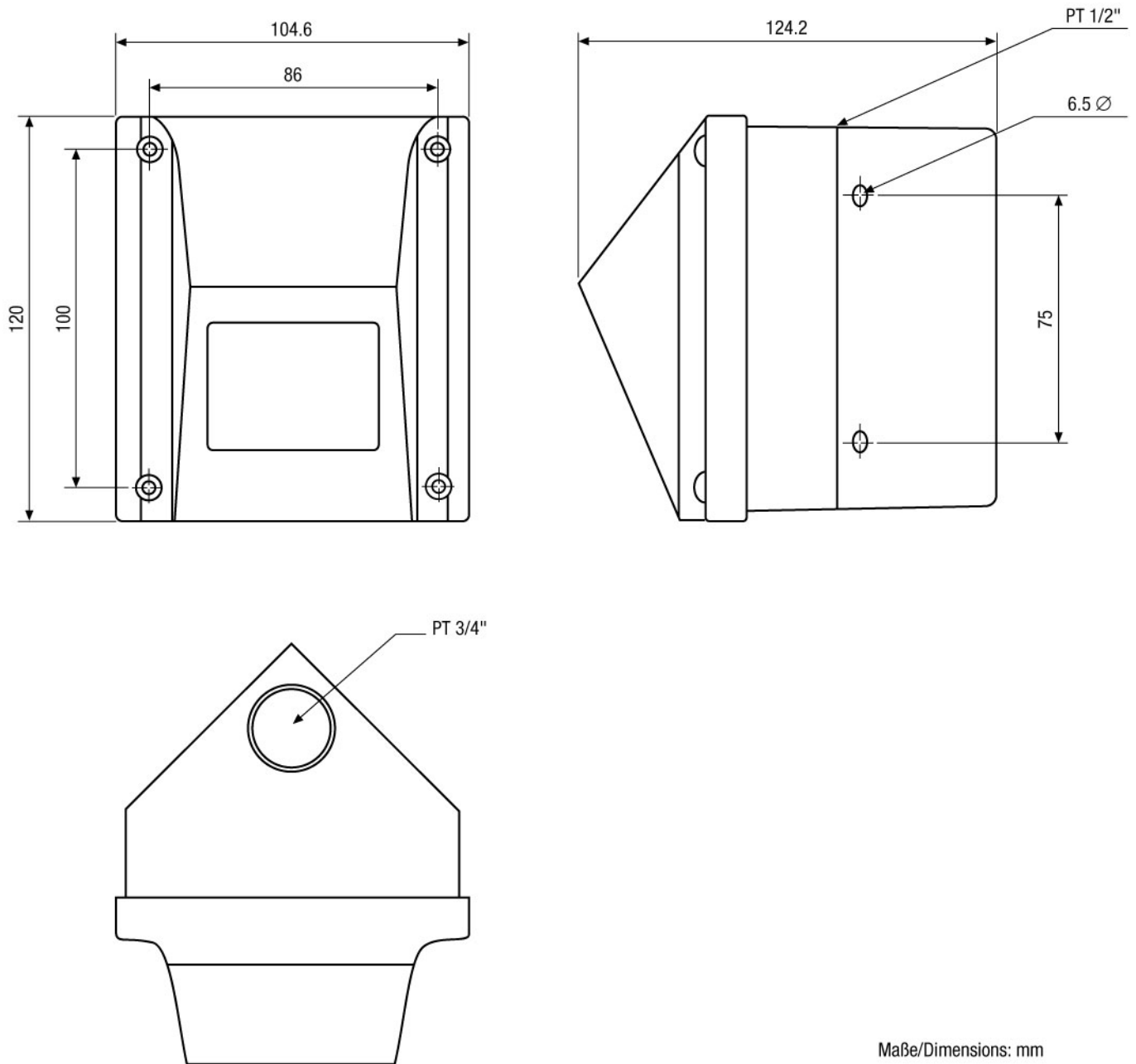
Plug-in Power Supply Unit 100-240VAC 12VDC (1.0Amp),
Regulated, w. Open Ends

77772 / VT-PS12DCDT

PSU 12VDC/0,5A, Regulated, Desktop Version, 1.8m Cable
each w. open ends

Product Information

Recommended board cameras: VK-133, VK-1317, VK-1318/VAR48, VKC-144, VKC-148, VKC-1413/VAR25, CB-341PA1V.



Maße/Dimensions: mm

VIDEOR TECHNICAL E. Hartig GmbH
 Carl-Zeiss-Straße 8 · 63322 Rödermark · Germany
 Telefon +49 (0) 60 74/8 88-0 · Telefax +49 (0) 60 74/8 88-100
 info@videortechnical.com · www.videortechnical.com