

Video Security

Housings | eneo Economy Housings

EHL-W/ECLKA

Weatherproof Housing (300mm) w. Heater,
Thermostat, Wall Bracket, RAL9002,230VAC

Art-No. 79653



Features

Camera Weatherprotection with integrated Sunshield
Fold-down Aluminium Housing Body
UV Resistant ABS Plastic Front and Back Part
3mm Glass Front Window
Accepts Camera & Lens Combinations up to 252mm
Insulated Camera Mounting

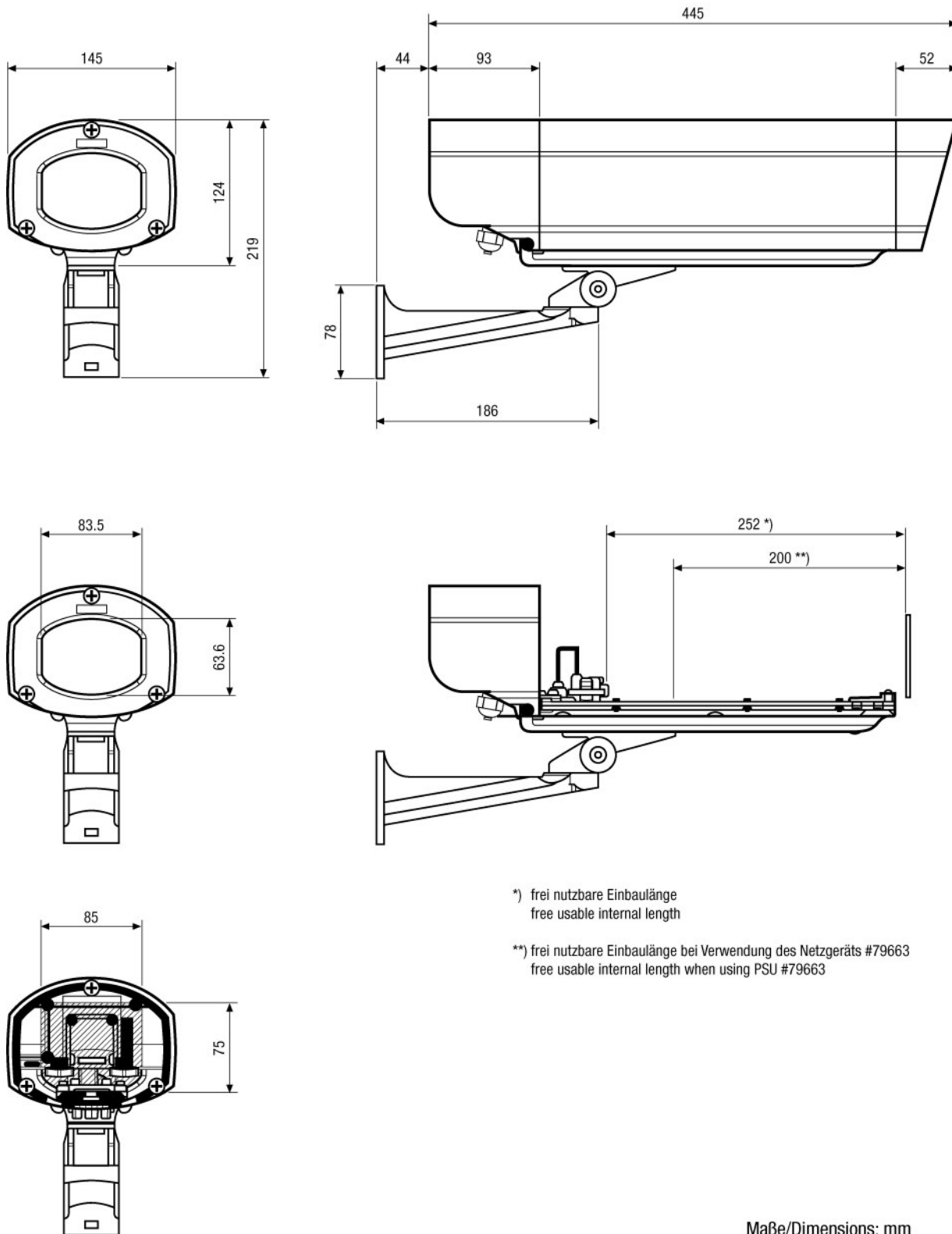
2 Cable Entry Glands M16x1.5mm
230V Window Heater Included
Protection Rating IP66
Surface RAL9002
Wall Bracket with Swivel Head Included
Option: PSU 12/24V, Blower Kit, Camera Support Kit

Specifications

Maximum installation length	252mm
Max. camera size (LxWxH)	252x85x75mm
Space for power supply	50mm
Cable entries	2x M16x1.5mm for cable diameter 4.5~10mm, under removeable cover
Clear Shield	no
Window heater	yes, PTC heater element, 230V / 40W with thermostat
Thermostat	On: +15°C, Off: +22°C
Sunshield	yes
Hidden cable management	no
Integrated wall mount	no
Protection rating	IP66
Housing	outdoor housing, Aluminium with plastic covers (ABS)
Housing material	aluminium
Colour (housing)	RAL9002
Weight	2.4kg (incl. wall bracket)

Accessories

79604 / SU-6	Camera Height Adjustment Kit for VHK and EHL Housings (3 Diff. Slides and Screws)
79664 / EHL-BLS/230V	Blower Kit 230V/50Hz with Thermostat for EHL-W/ECLKA Housing, 230VAC
70457 / AK-3	Camera Connection box, 230VAC Input 24VAC-100W, 12VDC-1A Output
79415 / NE-115	Power Supply Unit 230V/12VDC-400mA for Housings VTL-W/D-N2
79568 / NE-119/24V	Power Supply Unit 230V/24VAC (400mA) for EHL-W/ECLKA Housing Series
79592 / PM-6S	Pole Mount Adapter for 1 Wall Mount, (50-140mm Pole), RAL9002
79593 / PM-6D	Pole Mount Adapter for 2 Wall Mounts, (50-140mm Pole), RAL9002



*) frei nutzbare Einbaulänge
free usable internal length

***) frei nutzbare Einbaulänge bei Verwendung des Netzgeräts #79663
free usable internal length when using PSU #79663

Maße/Dimensions: mm

VIDEOR TECHNICAL E. Hartig GmbH
 Carl-Zeiss-Straße 8 · 63322 Rödermark · Germany
 Telefon +49 (0) 60 74/8 88-0 · Telefax +49 (0) 60 74/8 88-100
 info@videortechnical.com · www.videortechnical.com