

# EDC-3222

Home | Security | Dome Cameras | PTZ

EDC-3222  
1/4" Dome, PTZ, Day&Night, WDR, BLC, clear, 22x,  
580TVL, 24VAC, Indoor

**Art-Nr. 74193**



## Main Features

High resolution day&night camera with ExView CCD	Auto calibration (0.1 ~6°)
Integral 22x AF zoom lens / 16x digital zoom	Preset, pattern, tour and autopan function
True D&N mode with IR cut filter	Privacy masking up to 16 zones
Advanced wide dynamic range (WDR) upto x512 (54dB)	On-screen menu control (OSD)
Powerful digital noise reduction (2D/3D DNR)	RS-485/RS-422 control interface
High and low speed shutter control (MES+DSS)	Supply voltage: 24VDC/AC, 50/60Hz

## Specifications

Series	eneo Fastrax III
Video standard	CCIR/PAL
System	Day&Night
Sensor size	1/4"
Imager	CCD, Sony ExView HAD Interline Transfer
Active picture elements	795(H) x 596(V) pixels
Synchronization	Internal/AC line lock, phase adjustment via remote control
Signal-to-noise ratio	50dB (AGC OFF)
Sensitivity (at 50% video signal)	1,0 Lux, (colour), 0.1Lux (B&W) at F1.2 (measured)
Horizontal resolution	580 TVL
Automatic gain control (AGC)	Available
Automatic electronic shutter (ESC)	yes
Manual electronic shutter (MES)	1/50 ~1/100,000sec.

# EDC-3222

(Continuation Specifications)

<b>Low Speed Shutter</b>	yes
<b>Digital Noise Reduction (DNR)</b>	yes
<b>Flickerless function</b>	yes
<b>Mirror function</b>	vertical
<b>White balance</b>	modes: manually, automatic, indoor, outdoor, ATW
<b>Backlight compensation</b>	BLC
<b>Wide Dynamic Range (WDR)</b>	yes, 54dB
<b>Aperture Correction (APC)</b>	horizontal, vertical
<b>IR cut filter</b>	switchable
<b>Speed (manual control)</b>	380 °/Sek.
<b>Speed range at manual control (pan)</b>	0.1° ~380°/sec. (Proportional to zoom)
<b>Speed range at manual control (tilt)</b>	0.1° ~200°/sec. (Proportional to zoom)
<b>Preset speed</b>	380 °/Sek.
<b>Rotation range</b>	360°
<b>Tilt range</b>	-10° ~+190° (Digital Flip)
<b>Preset positioning</b>	240 presets with camera status (12-character title display)
<b>Frame store</b>	The image will be frozen during calling preset
<b>Backlash</b>	0.2°
<b>Patterns</b>	8 patterns up to 500sec.
<b>Tours</b>	Up to 8 programmable guard tours, consisting of 42 presets each and up to 12 character title display
<b>Autoscan</b>	16 User programmable auto scans with 13 selectable speeds and 12 character title display
<b>Proportional pan and tilt</b>	Continually decreases pan and tilt speeds in proportion to depth of zoom
<b>Auto flip function</b>	180° digital flip (turns the video output from the camera upside down and reverses it horizontally)
<b>Programmable park position</b>	Included
<b>Privacy zones masking</b>	8 zones masking with block or video OFF option
<b>Zones</b>	16 each with programmable 12 character label
<b>Video outputs</b>	composite (CVBS), 1Vp-p, (C)VBS, 75ohms, BNC
<b>Lens type</b>	zoom
<b>Focal length</b>	3,9 mm - 85,8 mm
<b>Horizontal angle of view</b>	49,5° - 2,46°
<b>Digital Zoom</b>	16x
<b>Aperture range (F)</b>	F1.6 (3.6) ~F130
<b>Focus control</b>	Automatic with manual override
<b>Iris control</b>	auto iris, Manual override
<b>MOD (Minimum object distance)</b>	1,0 m
<b>Filter screw size</b>	not available

# EDC-3222

(Continuation Specifications)

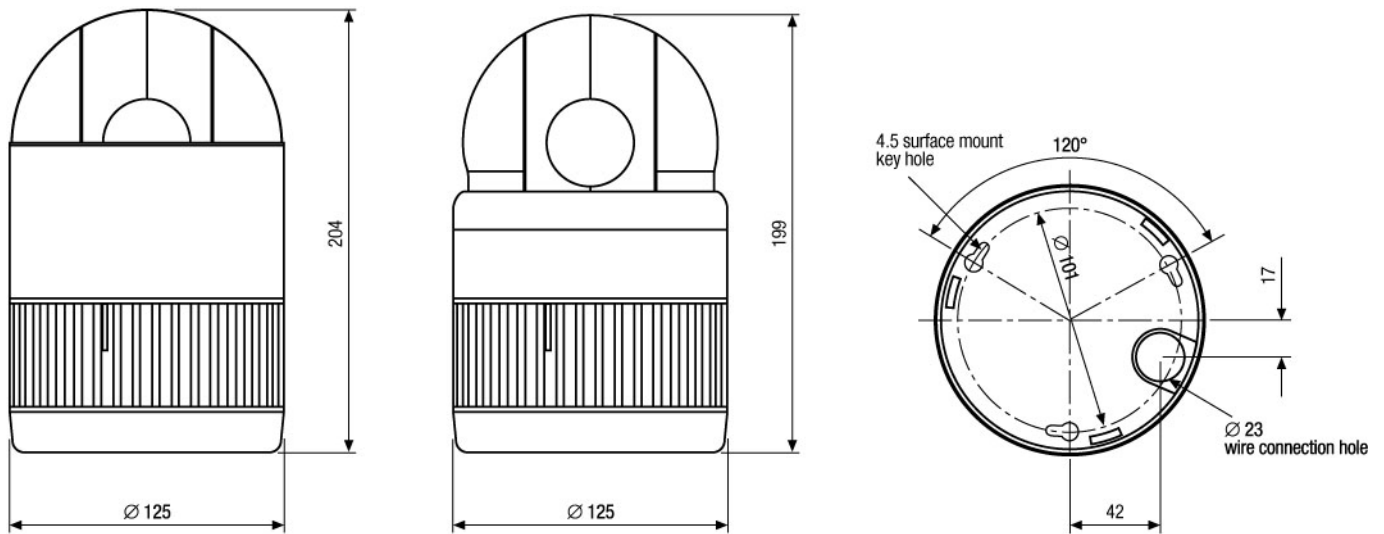
<b>Alarm inputs</b>	8, selectable between NO and NC
<b>Alarm outputs</b>	1
<b>Alarm processing</b>	Programmable alarm action with selectable priority levels
<b>Illumination</b>	no
<b>Activity detection</b>	yes
<b>Menu languages</b>	German, English, French, Spanish, Italian, Portugese, Polish
<b>OSD function control</b>	day&night, AGC, BLC, AWB, iris, MOD, flickerless, digital zoom, digital noise reduction (DNR), WDR, shutter mode
<b>Text display</b>	16 character label
<b>Camera ID</b>	Via ID no.
<b>Sharpness correction</b>	adjustment range: 0 ~15
<b>Brightness</b>	range: 1 ~15
<b>External adjustments</b>	ID, Baud rate, Termination and protocol type switches
<b>Operation protection</b>	Available
<b>Backup</b>	Non-volatile back box memory stores all camera and site-specific dome settings
<b>Adresses</b>	Up to 999 Dome ID's (3999 by software setting)
<b>Keyboard control</b>	Direct mode control with Eneo EDC-KBD(M), KBD-2 keyboard series, or in conjunction with the eneo DVR series DLR, DTR and DPR
<b>Remote control</b>	Camera remote settings via keyboard
<b>Serial interfaces</b>	RS-422, RS-485, 9600Baud (default), 999 camera ID addresses selectable. Besides the keyboard control via the eneo EDC-KBD(M) and KBD-2(NSC-100) series, control via Pelco P&D protocol
<b>Temperature range (Operation)</b>	0°C ~+50°C
<b>Heater</b>	no
<b>Protection rating</b>	n/a
<b>Supply voltage</b>	24VDC, 24VAC, (18 ~30VAC), 50/60Hz
<b>Power consumption</b>	20W
<b>Vandalism resistant</b>	no
<b>Bubble</b>	4.9" (125mm), clear acrylic plastic
<b>Colour (bubble)</b>	clear
<b>Mounting</b>	ceiling mount, Housing assy
<b>Housing</b>	indoor
<b>Housing material</b>	plastic
<b>Colour (housing)</b>	black
<b>Weight</b>	1.25kg
<b>Parts supplied</b>	Camera, Manual, Clear bubble
<b>Certificates</b>	CE

## Optional accessories

## EDC-3222

70449	NE-128	Voltage supply unit 230V/24VAC-5A, IP66
74130	EDC-OPC-2/24V	Pendant Mount Outdoor Dome Housing, Sun Shield, Clear Bubble 6.5", 24VAC
70527	NE-132/AC24V	Power Supply Unit 230VAC/24VAC (1.0A)
74746	KBD-NSC-100	Network System Controller with 3-Axis Joystick and Jog Shuttle, 5VDC
74136	EDC-OPS-2/24V	Pendant Mount Outdoor Dome Housing with Sunshield, Tinted Bubble 6.5", 24VAC
74149	KBD-2	System Keyboard with 3-Axis Joystick and Jog Shuttle, 12VDC
70457	AK-3	Camera Connection box, 230VAC Input, 24VAC-3.2A, 12VDC-1A Outputs
74088	EDC-KBD1	System Keyboard with 3-axis Joystick, 12VDC
74092	EDC-KBDM-3	System Keyboard w. Joystick, 5" Monitor 12VDC, Fastrax Protocol
74134	EDC-IPS-2/24V	Pendant Mount Indoor Dome Housing with Tinted Bubble 6.5", 24VAC
74094	EDC-COAX	Coax Telemetry Board for VPT-501/601, EDC/EDMC Series assembled
74095	EDC-PBP	Protocol Converter BiPhase to RS-422, RS-485 for EDC Dome Cameras, 12VDC
74124	FASTRAX_CONFIG	Configuration Software for Eneo Fastrax, Minitrax Dome Cameras and VKC-1416
74135	EDC-IPC-2/24V	Pendant Mount Indoor Dome Housing with Clear Bubble 6.5", 24VAC
74163	EDC-AKS2	Power&Connection Box with Connection Cable 3.5m, In/Outdoor, 230V-24VAC/3.0A
74089	EDC-CR1	Converter RS-232/RS-485, Repeater RS-485
74154	EDC-IDFSW	Flush Mount Dome Housing, White Trimring Smoked Bubble 6.8"

## Technical drawing



Maße/Dimensions: mm