

# eneo Fastrax Series

Colour/B&W High Speed Dome Camera,  
18x Zoom, 0.7Lux, 460TVL, 24VAC



EDP-No.: 74049

## EDC-141

- High Resolution Colour/B&W Camera
- 18x Optical and 12x Digital Zoom (216 Total)
- Removable IR Cut Filter
- Indoor/Outdoor Selectable Camera Preferences
- 240 Presets
- Dynamic Window Blanking
- RS-485/RS-422 Interface
- 8 Alarm Inputs/4 Outputs
- Programmable Alarm Action with Priority Levels
- Quick Detachable (Hot Swap)



## Specifications:

Speed range at manual control (tilt)	0.5° to 90°/sec. (Proportional to the zoom position)
Speed range at manual control (pan)	0.5° to 90°/sec., Turbo: 380°/sec. (Proportional to the zoom position)
Preset speed	Up to 380°/sec. pan
Rotation range	360° (endless)
Preset positioning	240 presets with 16-character labels each. 0.75sec. max. preset recall time. Backlash: 0.2°
Patterns	4 patterns up to 120sec. each, includes preset calls
Tours	Up to 8 programmable guard tours, consisting of 36 presets and functions with individual dwell time (up to 99sec.)
Auto flip function	Rotates dome 180° at bottom of tilt travel
Programmable park position	Included
Auto scan	8 user programmable Auto Scans with preset pan/tilt angle and zoom ratio, 9 selectable speeds
Window blanking	4 dynamic window blanking zones with user-defined four-sided shapes and up to 16-character labels each
In/outdoor use	Indoor/outdoor camera preferences
Imager	1/4" 752 (H) x 582 (V) pixels (Sony ExView HAD)

## EDC-141

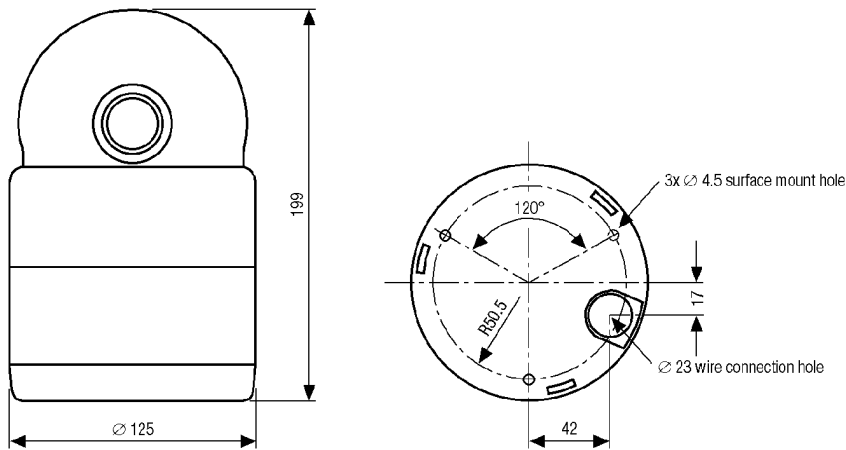
---

<b>Digital signal processing (DSP)</b>	Yes (DSP-3R)
<b>Resolution</b>	460 TV lines
<b>Sensitivity</b>	0.7Lux at F1.4; 0.05Lux at 1/4 sec. shutter speed and switched-in IR cut filter; 0.01Lux at 1/4 sec. shutter speed and switched-off IR cut filter.
<b>Signal-to-noise ratio</b>	>50db
<b>Automatic gain control (AGC)</b>	Automatic (ON/OFF switchable)
<b>Shutter speed (AES/MES)</b>	Automatic/manual: 1/4 to 1/10,000 sec.
<b>Synchronization</b>	AC line lock, phase adjustment via remote control, V Sync
<b>White balance (ATW)</b>	Automatic (with manual override)
<b>Video output</b>	1Vp-p, CVBS, 75ohms, BNC
<b>Zoom range</b>	F1.4/4.1-73.8 mm (18x optical zoom, 12x electronic zoom)
<b>Horizontal angle of view</b>	48° (Wide); 2.7° (Tele end)
<b>Iris control</b>	Automatic (with manual override)
<b>Autofocus</b>	Automatic with manual override
<b>Minimum object distance (MOD)</b>	0.3m
<b>Menu driven set-up</b>	ON/OFF switchable
<b>Menu languages</b>	English
<b>Alarm processing</b>	Programmable alarm action with selectable priority levels
<b>Alarm inputs</b>	8, selectable between NO and NC
<b>Alarm outputs</b>	4
<b>Bubble</b>	4.9" (125mm), clear acrylic plastic
<b>Control interfaces</b>	RS-422/RS-485, 9600Baud, 32 camera ID adresses selectable. Besides the keyboard control via the EDC-KBDM, the control via matrix switchers and keyboards from Pelco (D+P protocol), Ernitec and Sensormatic* is available. *Back channel via RS-422 is not activated
<b>Keyboard control</b>	Direct mode control with EDC-KBDM, or in conjunction with Triplex Multiplexer series VBMT/VCMT-8000
<b>Auxiliary outputs</b>	2 relays with NO/NC contact, 24VDC/1A resistive
<b>Remote control</b>	Camera remote settings via keyboard
<b>Operation protection</b>	Available

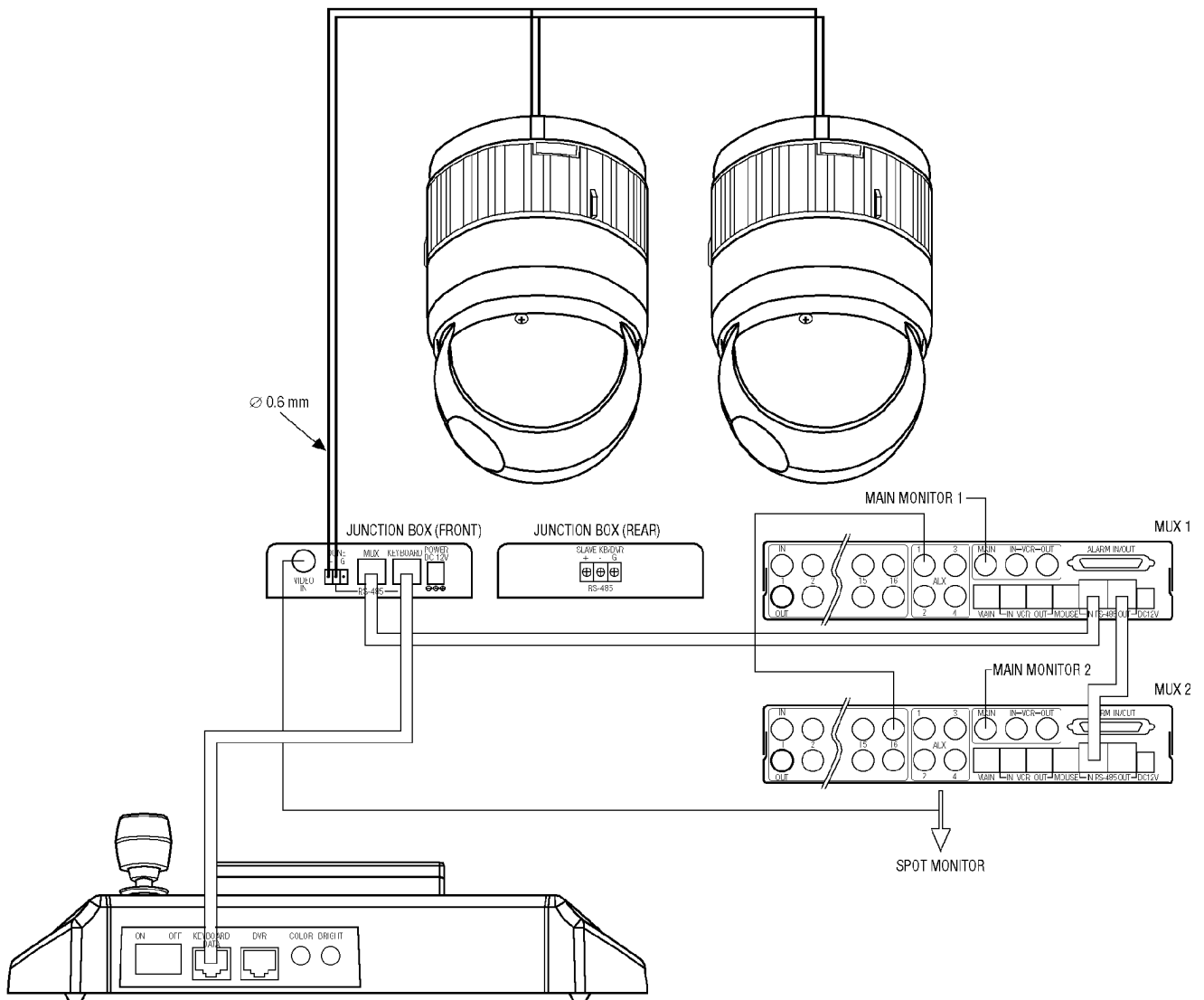
## EDC-141

<b>Backup</b>	Non-volatile back box memory stores all camera and site-specific dome settings
<b>Supply voltage</b>	18 to 30VAC (24VAC nominal), 50/60Hz
<b>Power consumption</b>	Approx. 20watts
<b>Temperature range</b>	0°C to +50°C
<b>Protection rating</b>	IP40
<b>Housing</b>	Black plastic for indoor drop-ceiling mount
<b>Dimensions (HxWxD)</b>	See drawing
<b>Weight</b>	Approx. 1.4 kg

<b>Accessories</b>	
<b>EDP No. / Type</b>	<b>Description</b>
70445 NE-123	Voltage supply unit 230V/24VAC-2A, IP66
74052 EDC-KBDM	System Keyboard w. Joystick, 4" Monitor, 12VDC/230VAC
74057 EDC-IDF	Flush Mount Dome Housing, Smoked Bubble 4.9"
74078 EDC-OPS-1	Pendant Mount Outdoor Dome Housing Tinted Bubble 6.8"
74077 EDC-IPC-1	Pendant Mount Indoor Dome Housing, Clear Bubble 6.8"
74076 EDC-OPC-1	Pendant Mount Outdoor Dome Housing Clear Bubble 6.8"
74075 EDC-IPS-1	Pendant Mount Indoor Dome Housing, Tinted Bubble 6.8"



Maße/Dimensions: mm



**Videor Technical E.Hartig GmbH • Carl-Zeiss-Straße 37 • 63322 Rödermark**  
**Tel: +49 (0) 60 74 / 888 - 0 • Fax: +49 (0) 60 74 / 888 - 100 • e-mail: [info@videortechnical.com](mailto:info@videortechnical.com) •**  
**[www.videortechnical.com](http://www.videortechnical.com)**