



## Mounts for Monitors

FDP-No. : 20061

### D-31

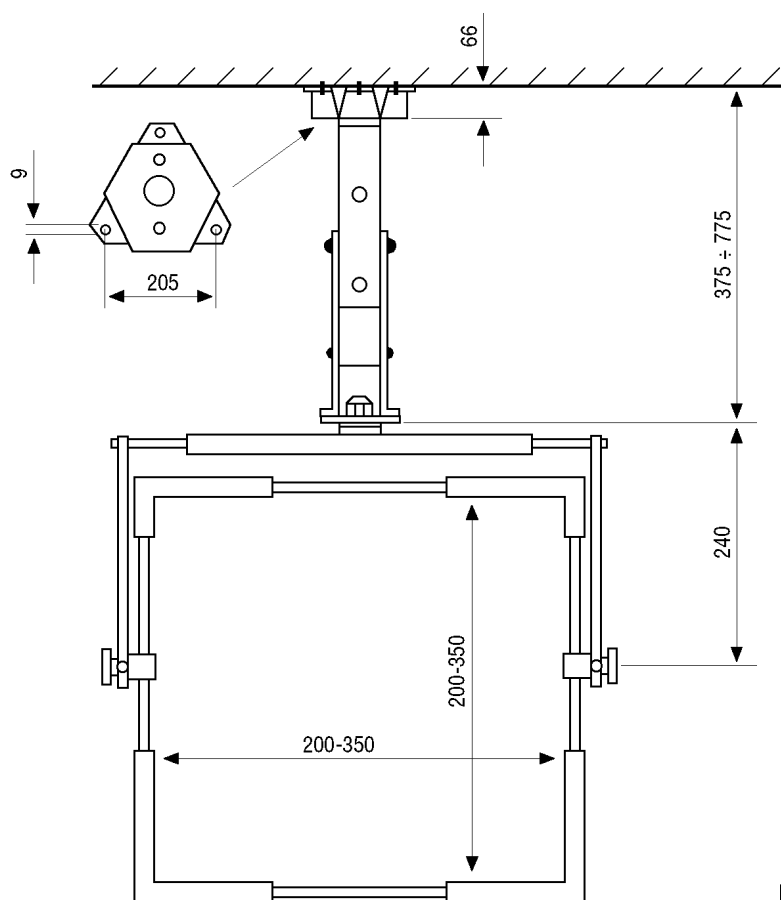
- For Ceiling Mounting
- Suitable for Monitors/TV-Sets with Stable Cabinet
- High Load Capacity
- Easy to Turn and Tilt
- Lockable Tilt Angle
- TUEV/GS Approved
- Easy Installation



### Specifications:

|                                     |             |
|-------------------------------------|-------------|
| Load capacity                       | 75 kg       |
| Vertical built-in height            | 200-350 mm  |
| Horizontal built-in height          | 200-350 mm  |
| Mounting distance from fixing point | 375-775 mm  |
| Colour                              | Black       |
| Dimensions (HxWxD)                  | See drawing |
| Weight                              | 10.5 kg     |

| Accessories    |                                  |
|----------------|----------------------------------|
| EDP No. / Type | Description                      |
| 20110 BD-1     | Mounting kit for D31/D41/D61/D71 |



Maße/Dimensions: mm

e-mail: [info@eneo-security.com](mailto:info@eneo-security.com) • [www.eneo-security.com](http://www.eneo-security.com)