

## Video Security



### CANDID M-04

1/3" B/W Camera with F1.0/3-8mm DC Lens  
Candid Weatherproof Housing, 560TVL

Art-No. 96018



### Features

B&W CCD Camera in Weatherproof Housing  
Resolution of 560 Horizontal Lines  
Electronic Shutter Control (ESC)  
High Sensitivity

Lens: F1.0/3-8mm with DC Controlled Iris  
Compact Version  
Index of Protection: IP66/67

### Specifications

|                                  |  |
|----------------------------------|--|
| System                           | CCIR   |
| Imager                           | 1/3" Interline transfer CCD  |
| Active picture elements          | Approx. 440,000; (H) 753 x (V) 582   |
| Synchronization                  | Internal   |
| Gamma correction                 | 0.45   |
| Horizontal resolution            | 560 TV lines   |
| Sensitivity                      | 0.1Lux at F1.0 (VT measurement result); 0.14Lux at F1.2                      |
| Electronic shutter control (ESC) | 1/50 to 1/100,000 sec.   |
| External adjustments             | DC/ESC switch  |
| Video output                     | 1 Vp-p, CVS, 75 ohms   |
| Lens                             | F1.0/3-8 mm with DC controlled iris  |
| Horizontal angle of view         | 91°-36°  |
| Cable entry                      | Wiring for video and voltage supply made, accessible from outside            |
| Housing                          | Aluminium with plastic front and back (Makrolon)                             |
| Heater/sunshield                 | Yes (12 V heater)  |
| Colour                           | RAL 9016 (Body) RAL 7035 (Front and back) RAL 7037 (Inner ball, fixing ring) |
| Protection rating                | IP 66/67   |
| Supply voltage                   | 12 VDC (+/-10 %)   |

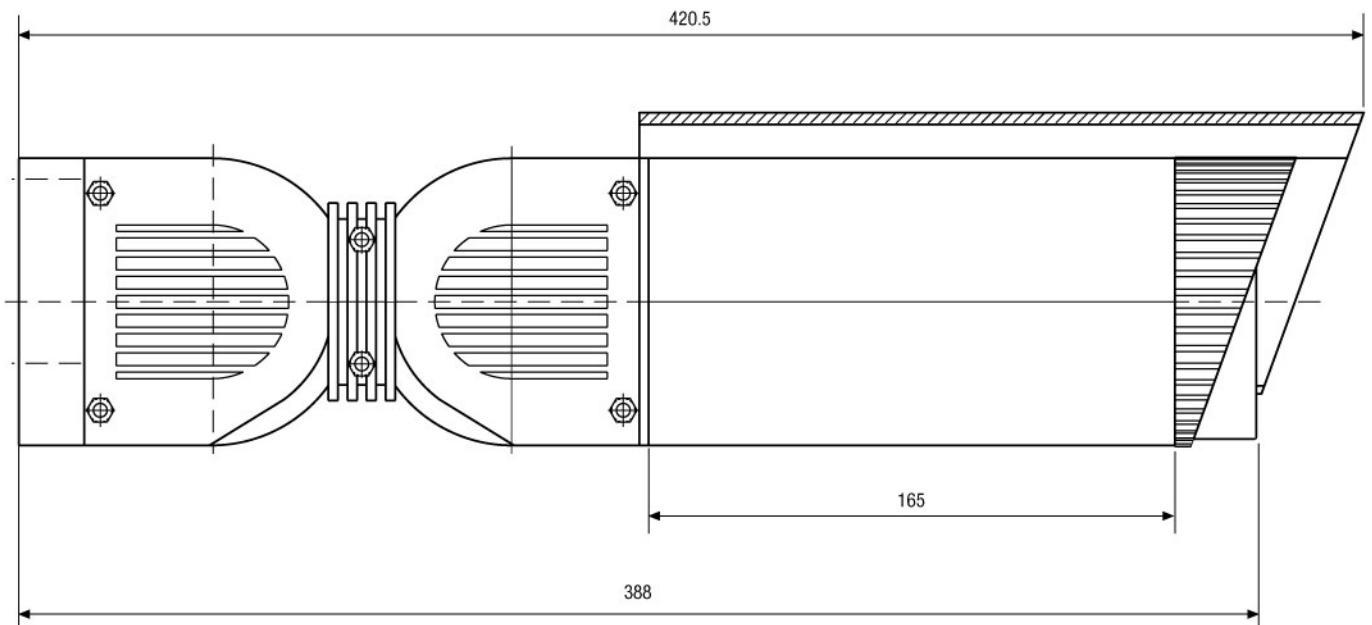
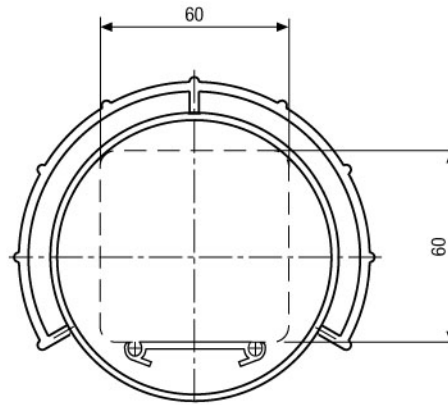
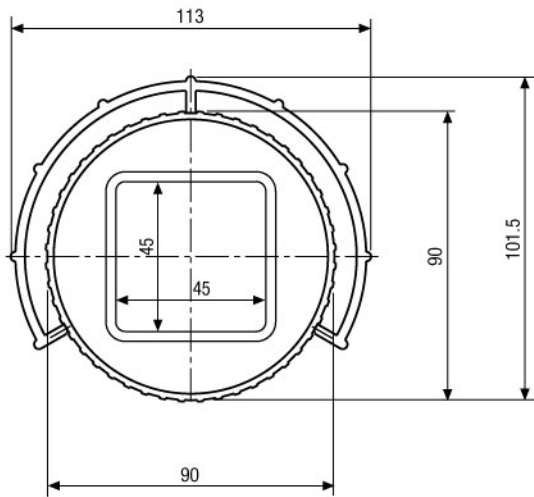
## CANDID M-04

(Specifications continued)

|                           |                                     |
|---------------------------|-------------------------------------|
| <b>Power consumption</b>  | Approx. 8watts                      |
| <b>Temperature range</b>  | -30°C to +50°C                      |
| <b>Dimensions (HxWxD)</b> | See drawing                         |
| <b>Weight</b>             | 1.2 kg                              |
| <b>Parts supplied</b>     | 3mm Allen wrench key, Bag of screws |

## Accessories

|                        |  |
|------------------------|--|
| <b>73546 / VT-PM4</b>  | Pole Mount Adapter for VHU Housing Series (100-180mm Pole), RAL7035              |
| <b>79494 / VHU-NT1</b> | Power Supply Unit for Candid Housing Series<br>230VAC/12VDC-14VAC(Camera/Heater) |



Maße/Dimensions: mm

VIDEOR TECHNICAL E. Hartig GmbH  
 Carl-Zeiss-Straße 8 · 63322 Rödermark · Germany  
 Telefon +49 (0) 60 74/8 88-0 · Telefax +49 (0) 60 74/8 88-100  
 info@videortechnical.com · www.videortechnical.com

