

# CANDID C-08

Home | Security | Cameras | Plug & Play

CANDID C-08  
1/3" Camera, Day&Night, F1.3/7.5-50mm, 540TVL,  
12VDC

Art-Nr. 96098



## Main Features

1/3" Day&Night Camera in Weatherproof Housing  
Sensitivity of 0.05Lux at F1.2 (B&W)  
Automatic Gain Control (AGC)  
Removable IR Cut Filter  
Switchable Backlight Compensation (BLC)  
Iris/Shutter Control Selectable (ALC/ESC)

Switchable Flickerless Adjustment  
Automatic White Balance (AWB/ATW)  
Enhanced Sharpness Compensation  
DC-Iris Control  
Supply Voltage: 12VDC  
Protection Rating: IP66/67

## Specifications

Series	eneo Candid
System	day&night
Video standard	CCIR/PAL
Sensor size	1/3"
Imager	CCD, Sony Super HAD Interline Transfer (SS-1M)
Active picture elements	440,000, 752(H) x 582(V)
Synchronization	Internal
Signal-to-noise ratio	50dB (AGC OFF)
Horizontal resolution	540 TVL
Sensitivity (at 50% video signal)	0.16Lux (colour), 0.05Lux at b&w (Videor measurement result at F1.2)
Automatic electronic shutter (ESC)	1/2 ~1/100,000sec.
Low Speed Shutter	no
Digital Noise Reduction (DNR)	no

# CANDID C-08

(Continuation Specifications)

<b>Flickerless function</b>	Supplied
<b>White balance</b>	Automatic/manual (2000K - 8000K)
<b>Backlight compensation</b>	BLC
<b>Wide Dynamic Range (WDR)</b>	no
<b>Backlight compensation</b>	ON/OFF switchable
<b>Aperture Correction (APC)</b>	Horizontal and vertical
<b>Sharpness correction</b>	ON/OFF switchable
<b>IR cut filter</b>	switchable
<b>Video outputs</b>	CVBS
<b>Lens type</b>	varifocal
<b>Lens</b>	F1.2 ~F260 / 7.5 ~50mm with DC-Iris controlled lens
<b>Aspherical technology</b>	yes
<b>Focal length</b>	7,5 mm - 50 mm
<b>Horizontal angle of view</b>	36,6° - 5,64°
<b>Iris control</b>	DC
<b>Filter screw size</b>	not available
<b>MOD (Minimum object distance)</b>	0,4 m
<b>Illumination</b>	no
<b>Serial interfaces</b>	no
<b>External adjustments</b>	8 DIP switches for: ALC/ESC, BLC On/Off, Flickerless On/Off, Turbo AGC On/Off, Sharpnes On/Off, Day/Night, IR mode On/Off. Level for DC voltage controlled iris, Flange focus
<b>Cable connection</b>	Wiring for video and voltage supply made, accessible from outside
<b>Protection rating</b>	IP66/67
<b>Supply voltage</b>	12VDC, (+/-20%)
<b>Power consumption</b>	Approx. 9watts
<b>Temperature range (Operation)</b>	-30°C ~+40°C
<b>Housing material</b>	Aluminium, Plastic
<b>Housing</b>	Outdoor
<b>Integrated wall mount</b>	yes
<b>Hidden cable management</b>	yes
<b>Sunshield</b>	yes
<b>Window heater</b>	yes, 12V
<b>Clear Shield</b>	no
<b>Colour (housing)</b>	RAL9016
<b>Dimensions (HxWxD)</b>	See drawing
<b>Weight</b>	1.2kg
<b>Parts supplied</b>	3mm Allen key, Bag of fixing screws
<b>Remarks</b>	Colour: RAL9016 (Body and sunshield), RAL7035 (Front and back), RAL7037 (Inner ball, fixing ring)

# CANDID C-08

(Continuation Specifications)

Certificates

CE

## Optional accessories

79494

VHU-NT1

Power Supply Unit for Candid Housing Series 230VAC/12VDC-14VAC(Camera/Heater)

73146

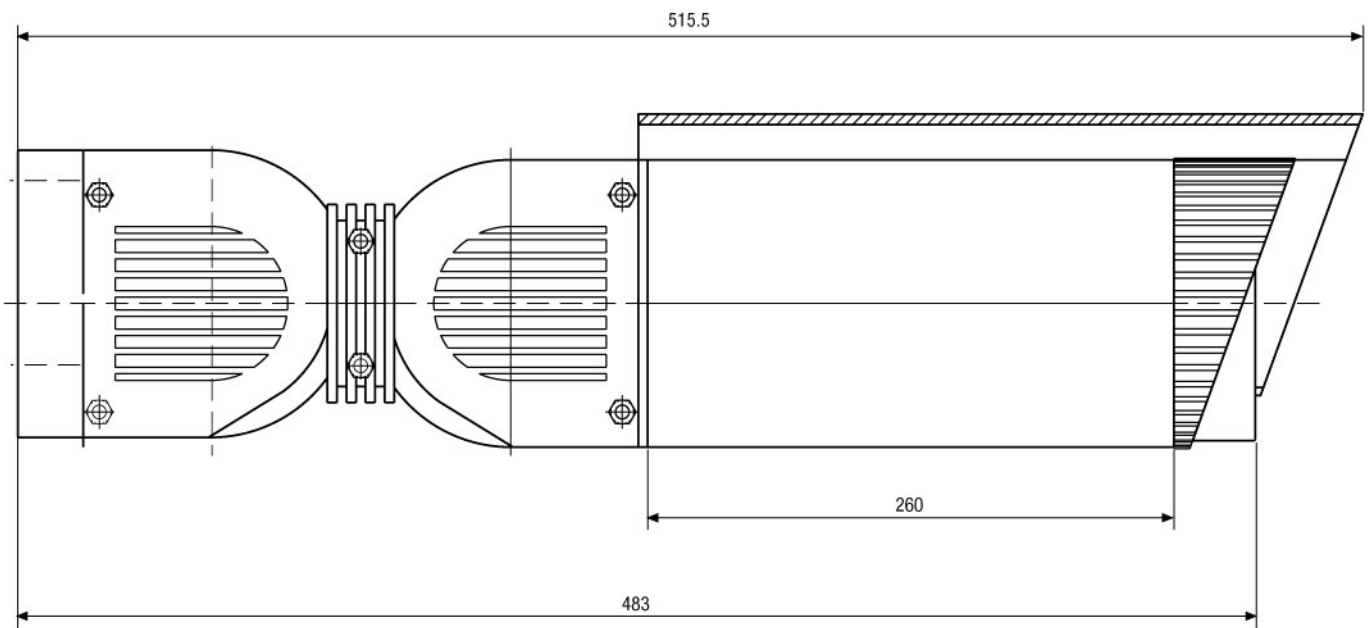
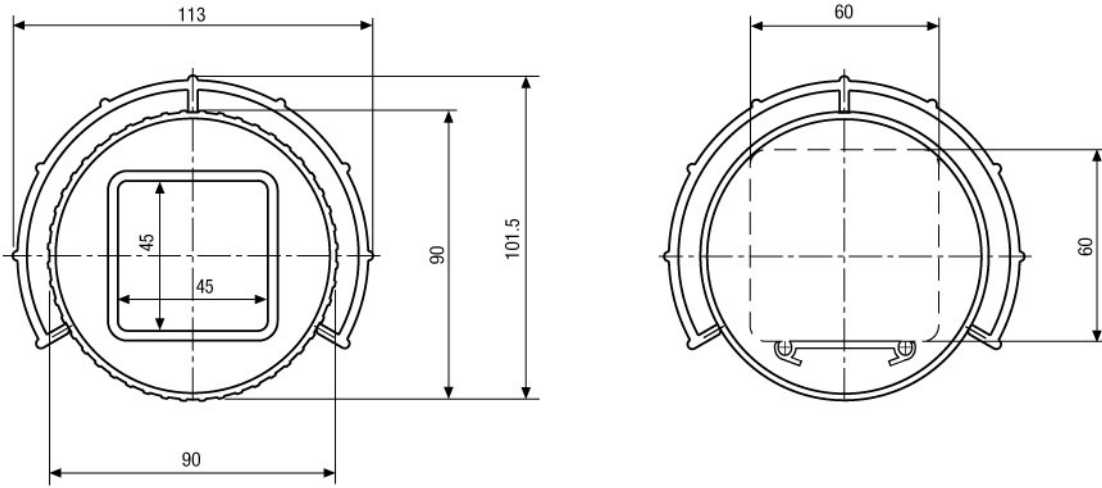
PM-41

Pole Mount Adapter for Housing Series Candid, RAL7035

# CANDID C-08

Home | Security | Cameras | Plug & Play

## Technical drawing



Maße/Dimensions: mm

VIDEOR E. Hartig GmbH, Carl-Zeiss-Straße 8, 63322 Rödermark, Germany -  
[www.videor.com](http://www.videor.com)

