

Video Security



CANDID C-05

1/3" D&N Camera, F1.2/4.5-12.5mm DC Lens
Candid Weatherproof Housing, 480TVL

Art-No. 96077



Features

1/3" Day&Night Camera in Weatherproof Housing
Resolution of 480 Horizontal Lines
Sensitivity of 0.0044Lux (F1.2) at Sens-up On
High and Low Speed Shutter Control (ESC/DSS)
Shutter Range: 1/2 to 1/100.000sec.
Sensitivity Enhancement: up to 32x max.

Automatic Gain Control up to 28dB (AGC)
Backlight Compensation (BLC)
Automatic White Balance (ATW)
Day/Night Selectable, Flickerless Function
Supply Voltage: 12VDC
Protection Rating: IP66/67

Specifications

System	CCIR/PAL
Imager	1/3" Sony Super HAD Interline Transfer CCD (SS-1M)
Active picture elements	Approx. 440,000, (H) 752 x (V) 582
Signal processing	Digital (DSP)
Synchronization	Internal
Signal-to-noise ratio	48dB (AGC OFF)
Horizontal resolution	480 TV lines
Sensitivity	0.4Lux at colour / 0.0044Lux at b&w (VT measurement result at F1.2)
Shutter speed	1/2 ~ 100,000sec.
Integration rate	32x
Automatic gain control (AGC)	28dB max.
White balance (ATW)	Automatic (2000 ~ 8000K)
Backlight compensation (BLC)	ON/OFF switchable
IR cut filter	Motorized, switchable filter. Automatic function depend on the amount of light. Manual switching: see "switching-over colour/b&w". In removed filter position, the colour signal will be switched OFF
External adjustments	Day&Night, AGC, BLC, Flickerless ON/OFF, DC-iris control

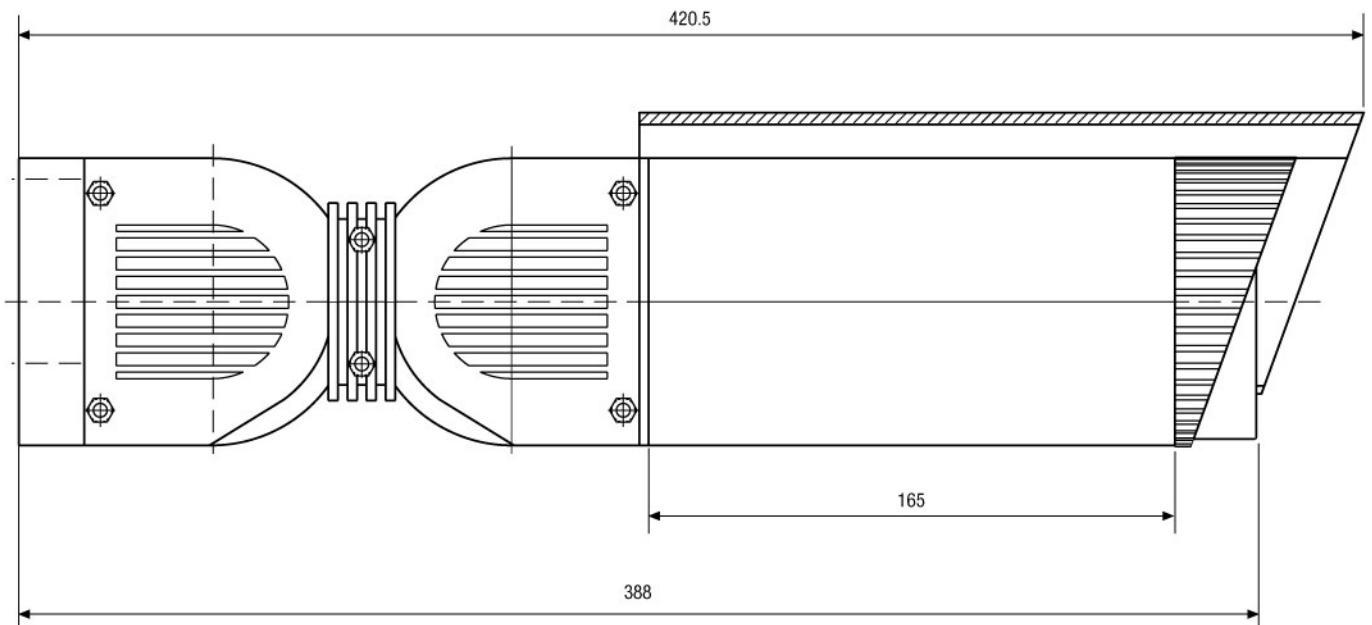
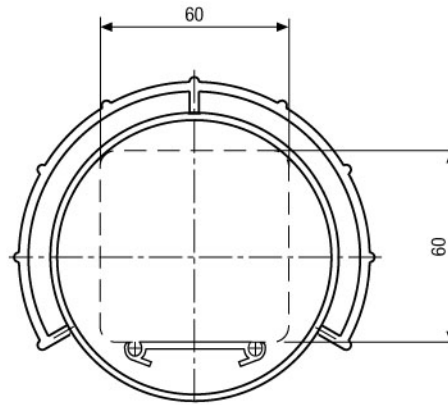
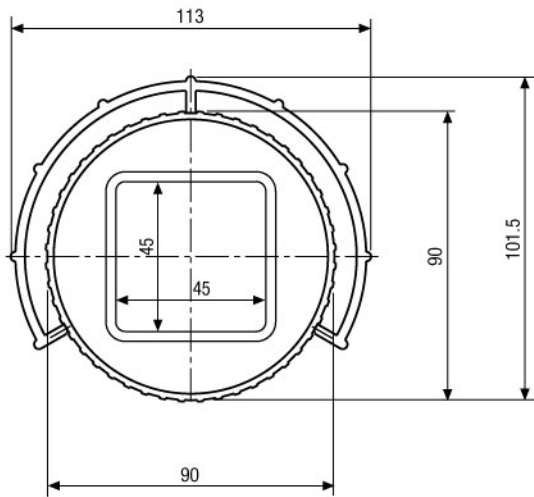
CANDID C-05

(Specifications continued)

Video output	1Vp-p, (C)CVS, 75ohms
Lens	F1.2 ~ F260 / 4.5 ~ 12.5mm with DC-Iris controlled lens
Horizontal angle of view	57° ~ 52°
Minimum object distance (M.O.D.)	0.3m
Window heater	12V, thermostatically controlled
Cable connection	Wiring for video and voltage supply made, accessible from outside
Housing	Aluminium with plastic front and back (Makrolon)
Sunshield	Yes
Colour	RAL 9016 (Body and sunshield) RAL 7035 (Front and back) RAL 7037 (Inner ball, fixing ring)
Protection rating	IP66/67
Supply voltage	12VDC (+/-20%)
Power consumption	Approx. 9watts
Temperature range	-30°C ~ +40°C
Dimensions (HxWxD)	See drawing
Weight	1.2kg
Parts supplied	3mm Allen wrench key, Bag of screws

Accessories

73546 / VT-PM4	Pole Mount Adapter for VHU Housing Series (100-180mm Pole), RAL7035
79494 / VHU-NT1	Power Supply Unit for Candid Housing Series 230VAC/12VDC-14VAC(Camera/Heater)



Maße/Dimensions: mm

VIDEOR TECHNICAL E. Hartig GmbH
 Carl-Zeiss-Straße 8 · 63322 Rödermark · Germany
 Telefon +49 (0) 60 74/8 88-0 · Telefax +49 (0) 60 74/8 88-100
 info@videortechnical.com · www.videortechnical.com

