

Video Security



B5528MA

F2,8/55mm Macro Lens, 2/3",
C Mount

Art-No. 42085



Features

Telecentric Construction

Very low Distortion

Suitable for Colour- and Black & White Cameras

Macro Lens

C Mount

High Resolution and Contrast

High Standard of Optical and Mechanical Quality

Specifications

Focal length (f)	55 mm
Aperture range (F)	F2.8
Lens mount	C
Nominal format size	2/3"
Horizontal angle of view at nominal format size	9.2°
Focus	14 cm to infinity
Distortion	<1%
Telecentric Area in Field of Object	33mm diameter
Telecentric range	0,4x - 0,5x (0,5x -1x with Extension tube 50mm)
Filter screw size	M43x0.75 mm
Screw-in depth	4.0 mm
Dimensions (LxD)	93x53 mm
Weight	320 g

Accessories

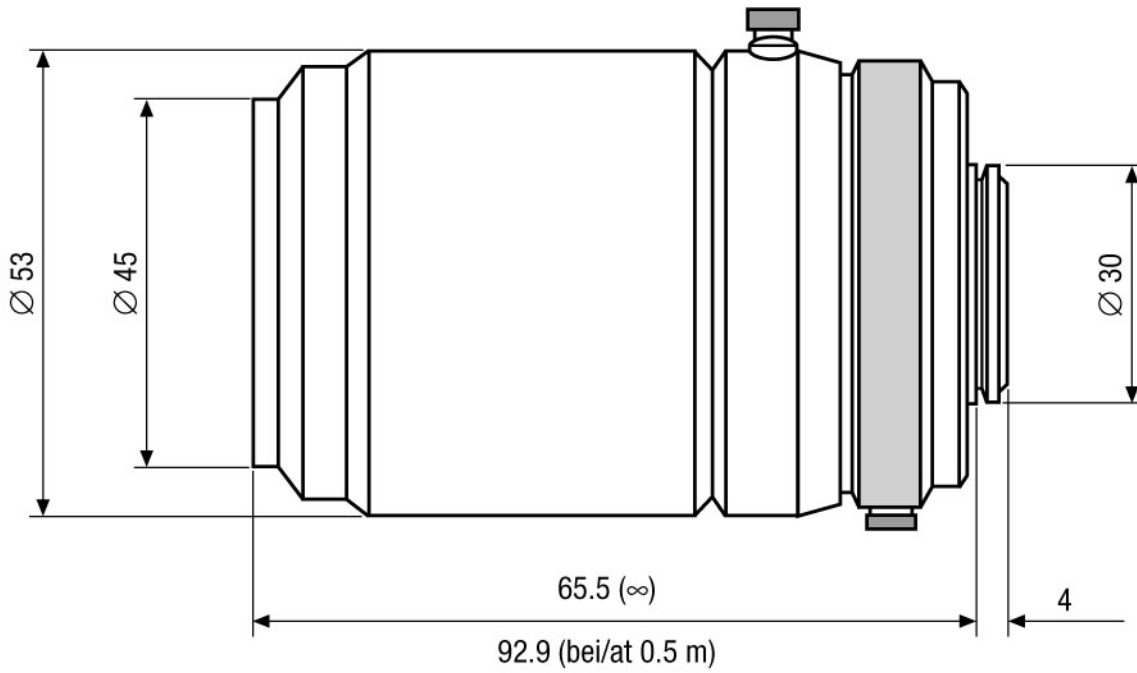
42086 / 0,75X-CON	Wide converter 0,75x for macro lens 55mm
42087 / 2X-CON	Tele Converter 2x for 55mm Macro Lens

B5528MA

Accessories of

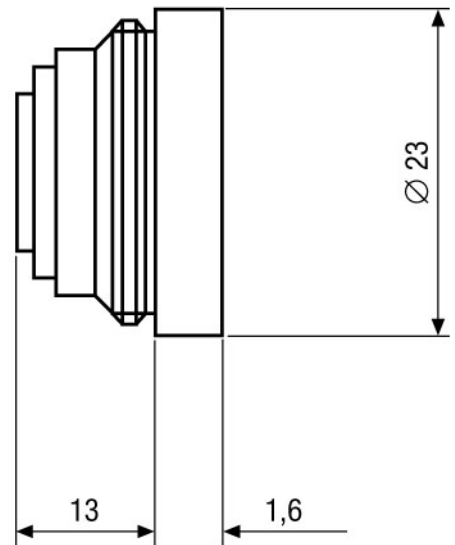
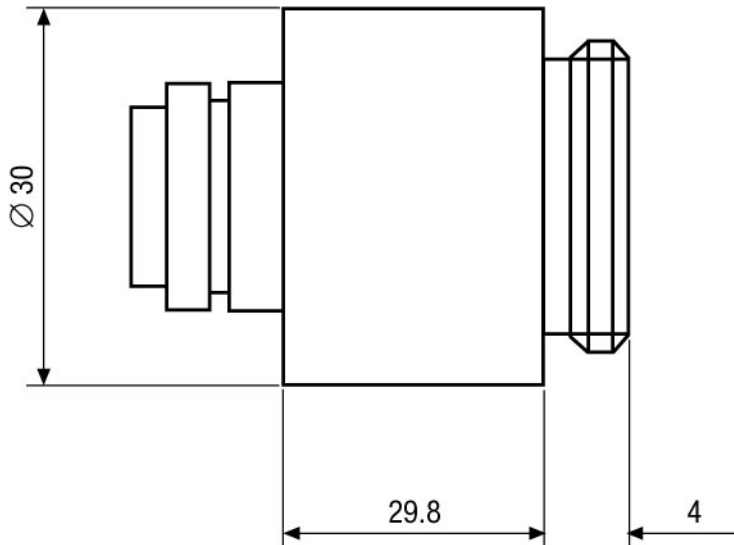
91601 / EVQ-1000

1/2" Progressive Scan CMOS Camera, 16:9 HDTV,
1280x720 Pixel, 12VDC/24VAC



2 x Converter

0,75 x Converter



Maße/Dimensions: mm