

Video Security



B12Z03MV-MP
 F2.8/12-36mm Megapixel Zoom Lens, 2/3"
 Variable Focal Length, C Mount
Art-No. 42013



Features

High Resolution Vari Focal Lens
High Standard of Optical and Mechanical Quality
For Use in Industrial and Security Sectors
Low Distortion

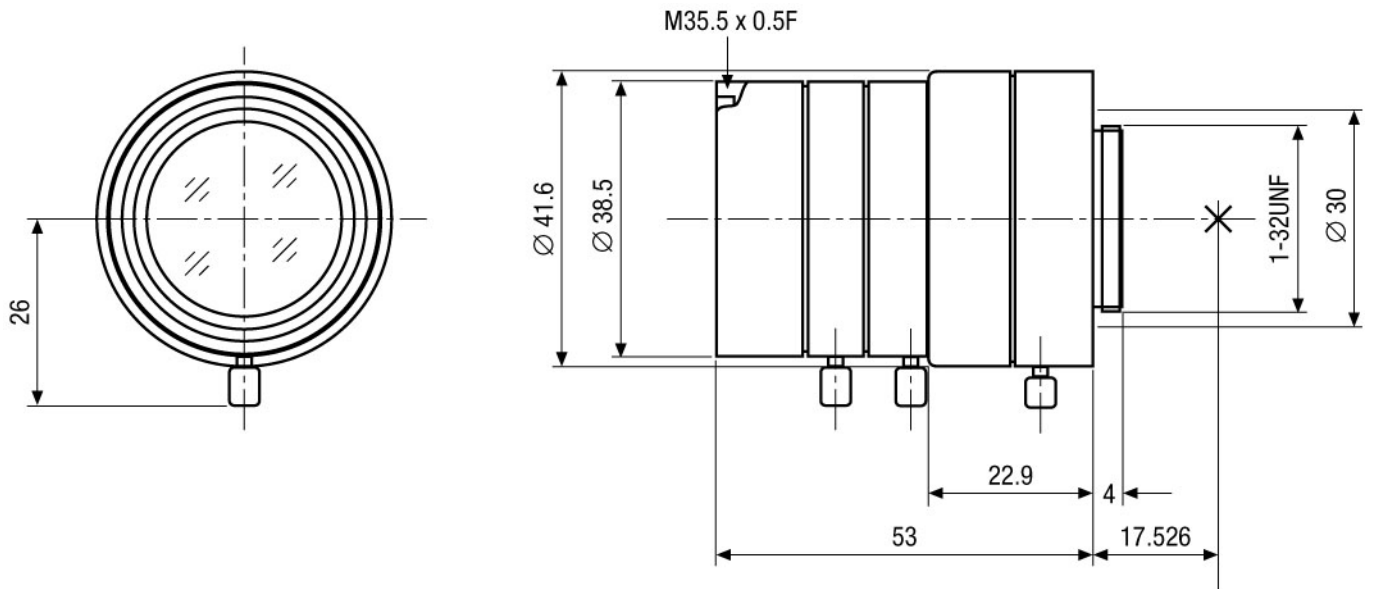
Locking Mechanism for Focus, Zoom and Iris
C Mount
Compact Design

Specifications

Focal length (f)	12-36mm
Aperture range (F)	F2,8-16(C)
Lens mount	C
Nominal format size	2/3"
Flange focal length	17.526mm
Horizontal angle of view at nominal format size	41° to 13.6°
Vertical angle of view at nominal format size	31.2° to 10.4°
Scene coverage	12mm: 40x30mm; 36mm: 48x36mm (at 1/2" and M.O.D.)
Distortion	Tele: +1.7%; Wide: -19% (at 1/2" Format)
Back focal distance	Tele: 13.5mm; Wide: 14.7mm
Minimum object distance (M.O.D.)	Tele: 0.2m; Wide: 0.05m
Filter screw size	M35.5x0.5mm
Screw-in depth	4.0mm
Dimensions (LxD)	53x41.6mm (see drawing)
Weight	105g

Accessories of

91601 / EVQ-1000	1/2" Progressive Scan CMOS Camera, 16:9 HDTV, 1280x720 Pixel, 12VDC/24VAC
-------------------------	---



Maße/Dimensions: mm