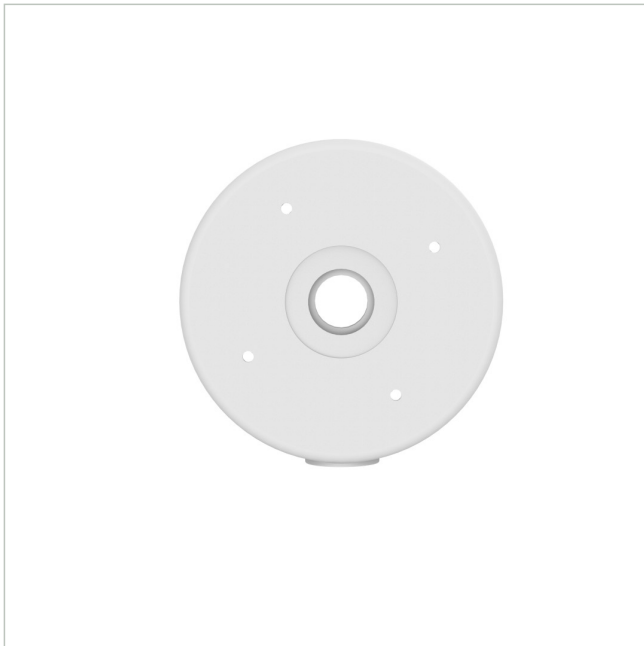


AK-26

SKU: 235526



Camera junction box for wall- and ceiling mount Fix dome cameras IN-Serie

Main Features

Professional installation

For wall and ceiling surface mounting

Weatherproof IP64

Easy and fast cable connection

Compatible with the following products

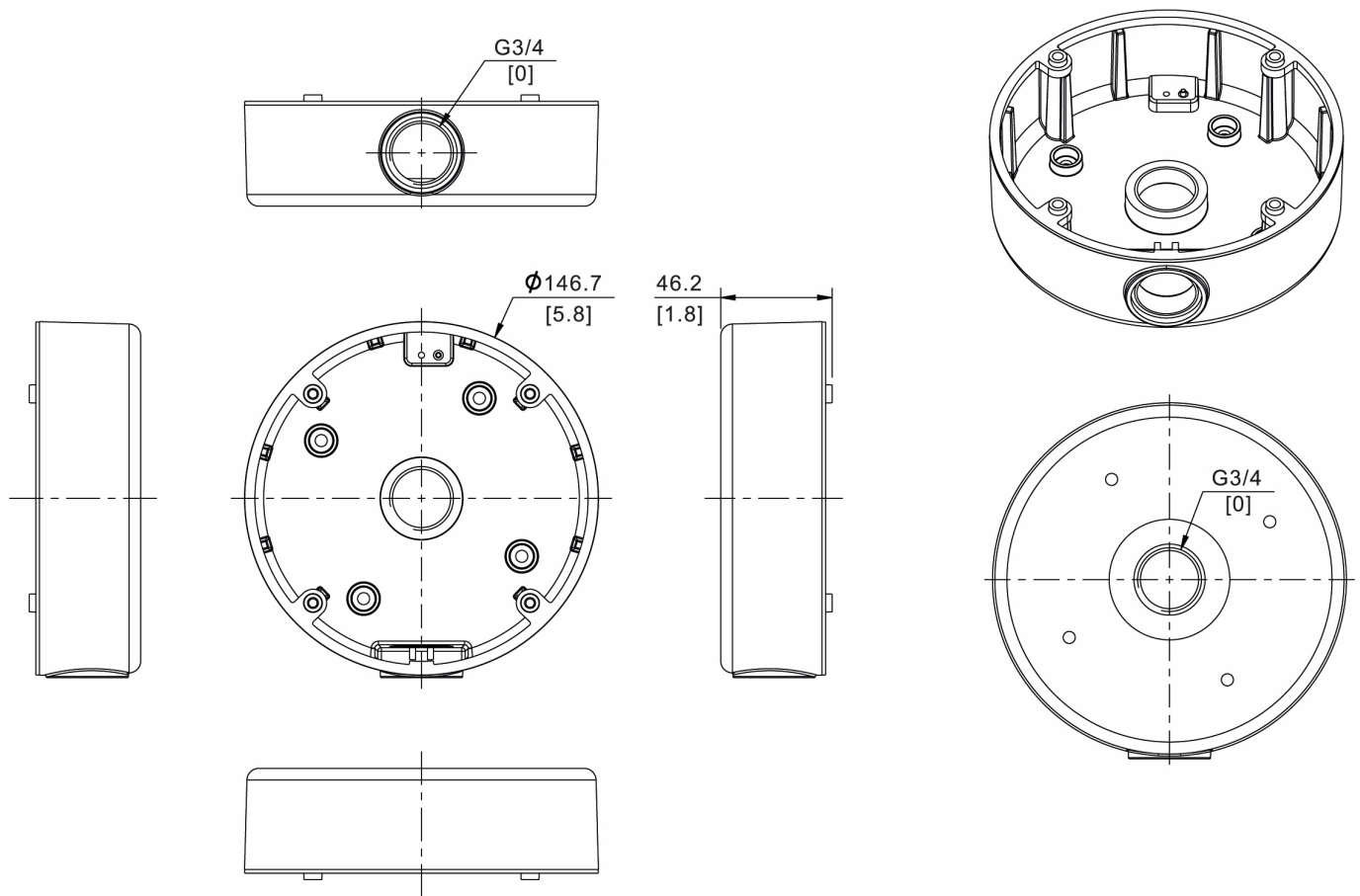
IN Series Fix Dome Cameras

Specifications

Other	
Dimensions (HxWxD)	see drawing
Parts supplied	mounting accessories
Series	eneo IN-Series
Housing	aluminium
Protection rating	IP64
Weight	250g
Farbe	Pantone P 179-1, RAL9003
Gehäuse	aluminium
Manufacturer order number	235526
EAN/GTIN	4260229840061

AK-26

Technical Drawing



Maße / Dimensions: mm



eneo is a registered trademark of
VIDEOR E. Hartig GmbH
Carl-Zeiss-Straße 8

63322 Rödermark, Deutschland

Phone: +49 6074 - 888 - 300
Fax: +49 6074 - 888 - 100
E-Mail: info@eneo-security.com
Web: www.eneo-security.com

Stay informed and subscribe
to the eneo newsletter

