

DC Controlled Lenses

FDP-No. : 41106

A08Z10NDDC EC

- Suitable for 1/2" Colour and Black & White Cameras
- C Mount
- DC Controlled Iris
- Lens Design Exclusive for Motorization
- High Standard of Optical and Mechanical Quality
- Quality Motors on Focus and Zoom
- Adjustable Slip-ring Mount for Cable Positioning
- DC Plug as Standard



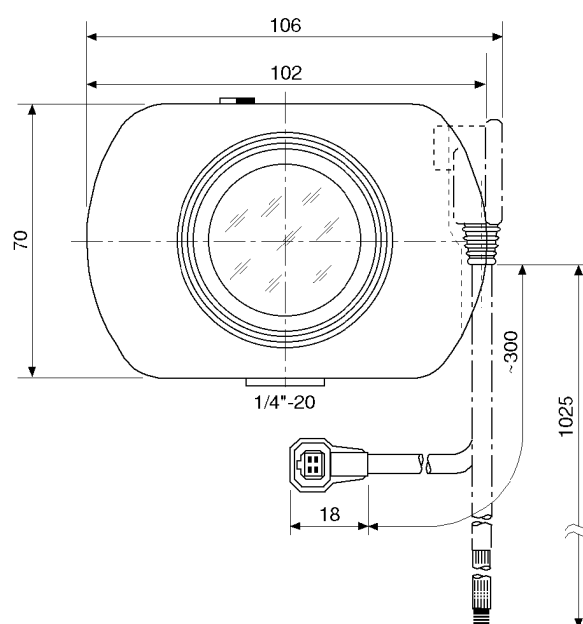
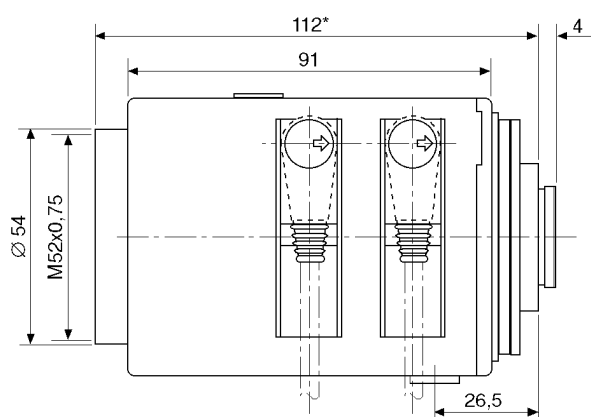
Specifications:

Focal length (f)	8-80 mm
Aperture range (F)	F1.8-F360
Mount	C
Nominal format size	1/2"
Flange focal length	17.526 mm
Horizontal angle of view at nominal format size	46.2°-4.8°
Minimum object distance (M.O.D.)	1.3 m
Screw-in depth	4.0 mm
Filter screw size	M52x0.75 mm
Slip-ring mount	340°-360° Variable adjustment range
Iris control:	
Iris control system	Galvanometer
Connection	Cable length: 20 cm, with 4-pin plug
Focus/Zoom:	
Supply voltage range	6 or 12 VDC +/-10%
Max. current consumption/motor (run)	25 mA
Response time	Approx. 7 sec. (at 8V)
Motor clutch on focus/zoom	Yes
Temperature range	-5°C to +50°C

A08Z10NDDC EC

Cable length	Approx. 30 cm
Dimensions (LxD)	112x102 mm
Weight	390 g

Accessories	
EDP No. / Type	Description
43094 ACB	Auto iris control box for DC iris lenses to AI output. With integrated Level and ALC adj. potentiom.



* Gemessen in Stellung/Length at: ∞

Maße/Dimensions: mm

e-mail: info@eneo-security.com • www.eneo-security.com