

# Video Security



## A04Z12NDDC-NFS

F1.2/4-12mm DC Lens/var. Focal Length  
with No Focus Shift, 1/2" C Mount

Art-No. 43248



## Features

Suitable for 1/2" and 1/3" Colour and B&W Cameras  
No-Focus-Shift from Visible to Near IR Light Range  
Variable Focal Length  
Aspherical Lens Elements  
C Mount

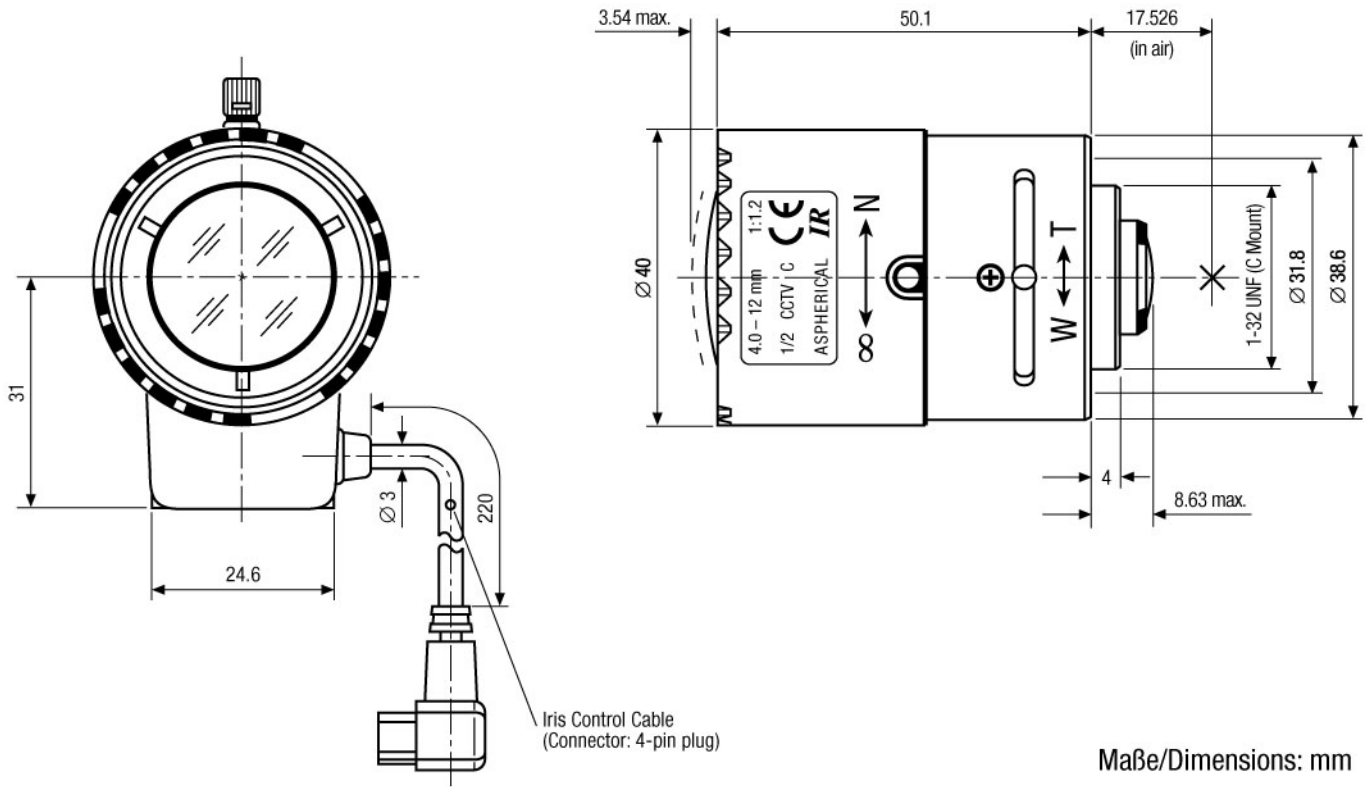
High Standard of Optical and Mechanical Quality  
Without Built-in Auto Iris Amplifier  
With 4-pin Connector  
Adjustable Slip-ring Mount for Cable Positioning

## Specifications

Nominal format size	1/2"
Focal length (f)	4 ~ 12mm
Aperture range (F)	F1.4 ~ F250
Iris control system	Galvanometer
Horizontal angle of view at nominal format size	93.7° ~ 68.9°
Minimum object distance (M.O.D.)	0.3m
Focus constant range	+0.05mm at f4,0; +0.03mm at f8mm; +0.05mm at f12mm (Focus deviation at switch-over to IR light at 880nm)
Flange focal length	17.526mm
Screw-in depth	8.6mm
Filter screw size	-
Slip-ring mount	340° ~ 360° Variable adjustment range
Cable length	Approx. 20cm
4-pin plug	Standard
Lens mount	C
Temperature range	-20°C ~ +50°C
Dimensions (LxDxH)	See drawing
Weight	68g

## Accessories of

<b>91892 / VKC-1319IR12-24</b>	1/3" Day/Night Camera with Switchable IR Cut Filter, DSP, 12VDC/24VAC, 510TVL
<b>91937 / VKC-1319/IR</b>	1/3" Day/Night Camera with Switchable IR Cut Filter, DSP, 230VAC, 510TVL
<b>92486 / CG-311PA1V</b>	1/3" Day/Night Camera with Switchable IR Cut Filter, DSP, 12VDC/24VAC, 480TVL
<b>91943 / VKC-1323/IR-12V</b>	1/3" Day/Night Camera with Switchable IR Cut Filter, DSP, 12VDC, 480TVL
<b>91967 / VKC-1330IR12-24</b>	1/3" Day/Night Camera, DSP, EDR, RS-485, Rem. IR Cut Filter, 12VDC/24VAC, 510TVL
<b>91968 / VKC-1330/IR</b>	1/3" Day/Night Camera, DSP, EDR, RS-485, Rem. IR Cut Filter, 230VAC, 510TVL
<b>91423 / ENC-501L</b>	1/3" Network Colour Camera w. CS Mount, integr. Web Server, 5VDC/230VAC, 340TVL
<b>91438 / ENC-501W</b>	1/3" WLAN Colour Camera with Antenna CS-Mount, 6mm Lens, 5VDC/230VAC, 340TVL
<b>92488 / CG-301PA1V</b>	1/3" Day/Night Multifunction Camera with WDR, OSD, DSS, 12VDC/24VAC, 480TVL
<b>91089 / TK-C1460BE</b>	1/2" D/N Camera, DSP 12VDC/24VAC, 480TVL
<b>91995 / VKC-1335/12-24</b>	1/3" D&N, WDR, DSS Camera with Removable IR CF, CS Mount, 12/24V, 480TVL
<b>91996 / VKC-1335</b>	1/3" D&N, WDR, DSS Camera with Removable IR CF, CS Mount, 230VAC, 480TVL



VIDEOR TECHNICAL E. Hartig GmbH  
 Carl-Zeiss-Straße 8 · 63322 Rödermark · Germany  
 Telefon +49 (0) 60 74/8 88-0 · Telefax +49 (0) 60 74/8 88-100  
 info@videortechnical.com · www.videortechnical.com

