



Description

Type 642

The type 642 is a robust outdoor wall bracket for loads up to 20kg (Type 642), where as the type 642B can accept pan & tilt head plus housing loads of up to 10kg.

Type 424

The type 424 is a heavy duty outdoor adjustable mount. Free standing or used in conjunction with type 435 wall bracket. Max. load 30 kg.

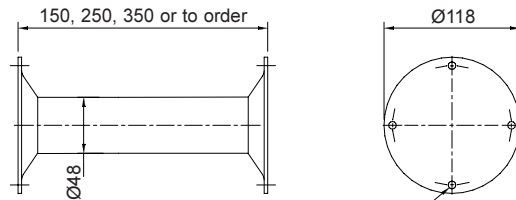
Type 426

The type 426 is an outdoor spacer column. Standard lengths 150, 250 & 350mm or to order. Max. load 20 kg.

Features

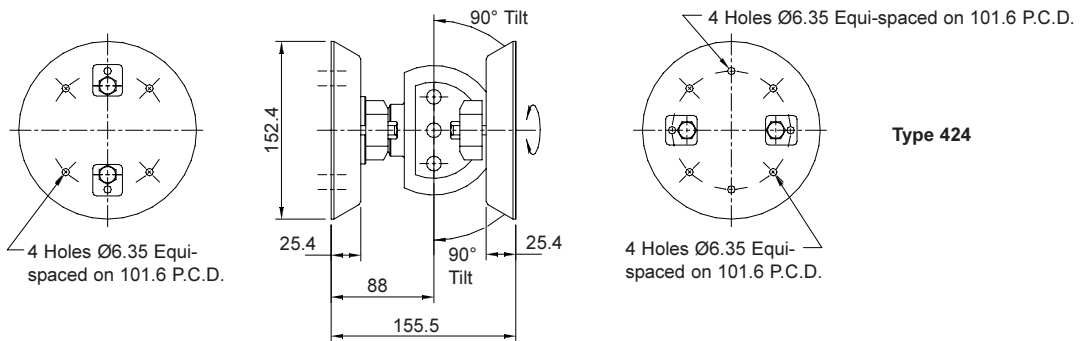
- 1 Payloads of up to 20kg (642)
- 2 Payloads of up to 30kg (type 424)
- 3 Various lengths available (type 426)

All Dimensions in millimetres

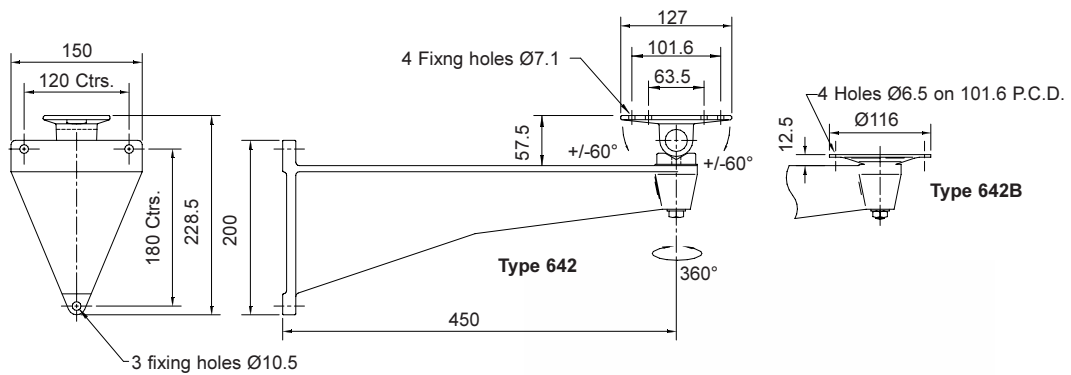
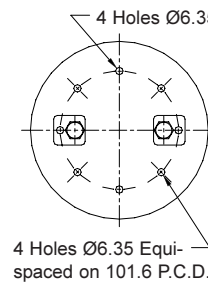
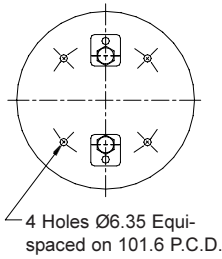


Type 426

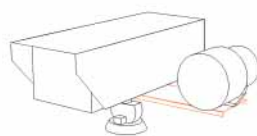
4 Holes Ø6.5 Equispaced on 101.6 P.C.D.



Type 424

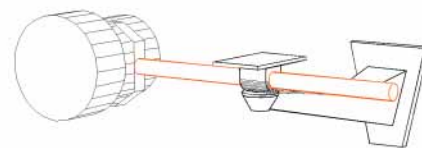


Type 642B



Bracket options

Type 424 IRS - Single IR Lamp option.
Type 424 IRD - Double IR Lamp option.
For use with 424 adjustable mount.



Type 642 IRS - Single IR Lamp option for type 428, 429 & 642 bracket.

Type 642 IRD - Double IR Lamp option for type 428, 429 & 642 bracket.

Specifications

	Type 642	Type 424	Type 426
Material:	Alum.Alloy	Alum.alloy	Mild Steel
Finish:	Powder coated & stoved.	Powder coated & stoved.	Powder coated & stoved.
Max. Load:	20 kg 10 kg (type 642B)	30 kg.	20 kg.

Dennard

55 Fleet Road, Fleet, Hants, England. Tel: 01252 614884 Fax: 01252 626013

Web Site Address: www.dennard-cctv.com



Home