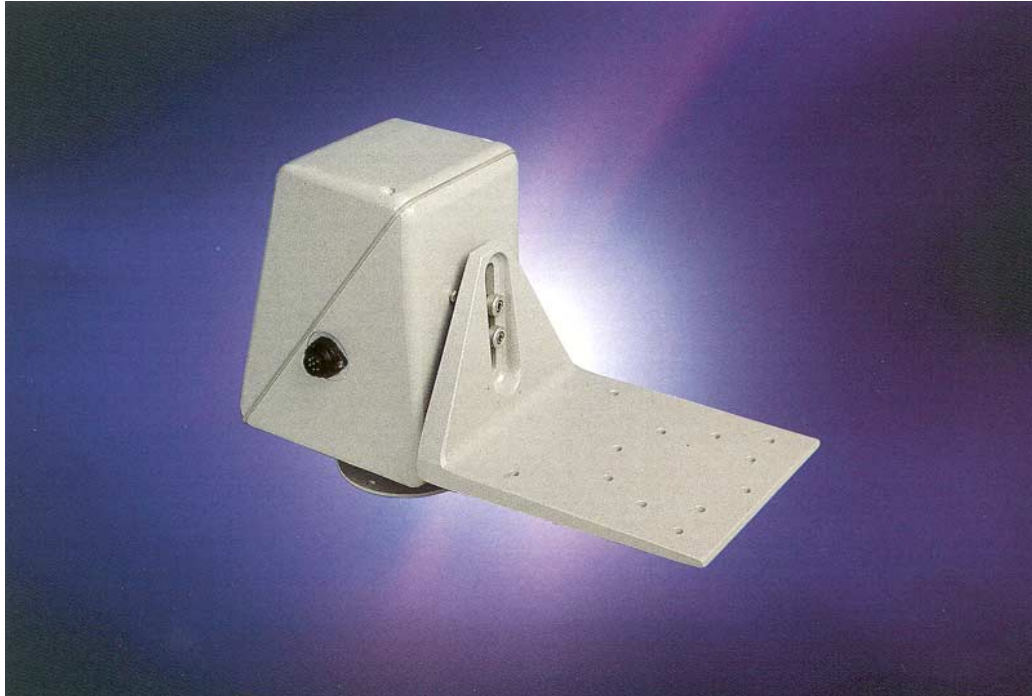


Dennard



Description

Type 488

The type 488 pan and tilt head, is a medium duty, remotely controlled, outdoor unit, designed to accept payloads of 15kg. Constructed from aluminium alloy castings, powder coated and stoved, with anodised high strength aluminium alloy shafts.

Build Options

- /A Autopan (fitted in the unit)
- /PP Pan Potentiometers.
- /TP Tilt Potentiometers.
- /LT Low Temperature (-30°C).

Features

- Vertically adjustable camera platform.
- Internal limit switches.
- Upright or inverted operation.
- Weatherproof. BS.EN 60529 Level IP 66 (no water ingress)
- Payloads of upto 15kg.
- Robustly constructed.
- 6.0 Degrees / Sec. pan speed
- 4.0 Degrees / Sec. tilt speed
- 230V.a.c., 110V.a.c., 24V.a.c.

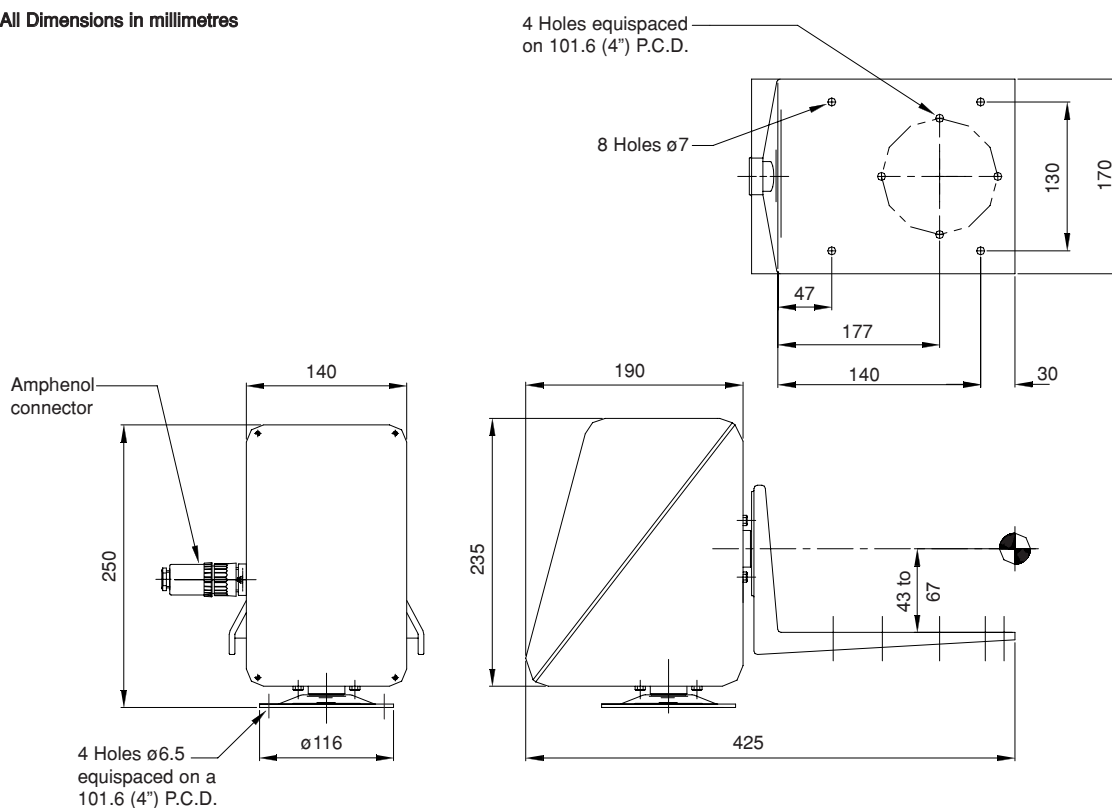


DENNARD SUPPORT LINE +4

Fax: 01252 626013



All Dimensions in millimetres



Specifications

- Maximum Load: 15kg
- Pan Movement: 10° to 350°
- Tilt Movement: ±5° to ±175°
- Pan Speed: 6°/sec.
- Tilt Speed: 4°/sec.
- Pan Torque: 125kg cm
- Tilt Torque: 165kg cm
- Operating temperature: -20°C to +55°C
- Backlash: 0.5° maximum
- Weight: 9kg
- Finish: Powder coated & stoved.
- Power consumption: 16 VA total.
- Connection: 7 way connector.



55 Fleet Road, Fleet, Hants, England. Tel: 01252 614884 Fax: 01252 626013

Web Site Address: www.dennard.cctv.com

