



### Description

#### Type 2000 & 2001

Innovative design combined with advanced production techniques and modern styling make the type 2000 the benchmark for the next generation of pan & tilt heads.

The Type 2000 & 2001 are offered with conventional externally adjustable limit switches or continuous pan rotation. Pre-position tell back options are also available.

Ease of maintenance and servicing has been significantly improved over conventional pan & tilt designs. All external fixings are the same size, options and accessories can be retro fitted with plug in wiring.

All Type 2000 pan & tilt heads can be operated upright or inverted and are also available with d.c. motors.

#### Type 2000

The Type 2000 is a 240V.a.c. unit and the Type 2000/110 is a 110V.a.c. unit

#### Type 2001

The Type 2001 is a 24V.a.c. version of the Type 2000

### Features

- 1 Aesthetically styled.
- 2 Payloads of upto 20kg (no need for counter balance weights).
- 3 Pressure die cast construction.
- 4 11.25° / sec. pan speed. (available to order)
- 5 230V.a.c. 110V.a.c. 24V.a.c. units
- 6 Available in a range of configurations
- 7 Weatherproof. BS. EN 60529 Level IP 66 (no water ingress)
- 8 Covered externally adjustable limits
- 9 Anti-backlash pan gearing

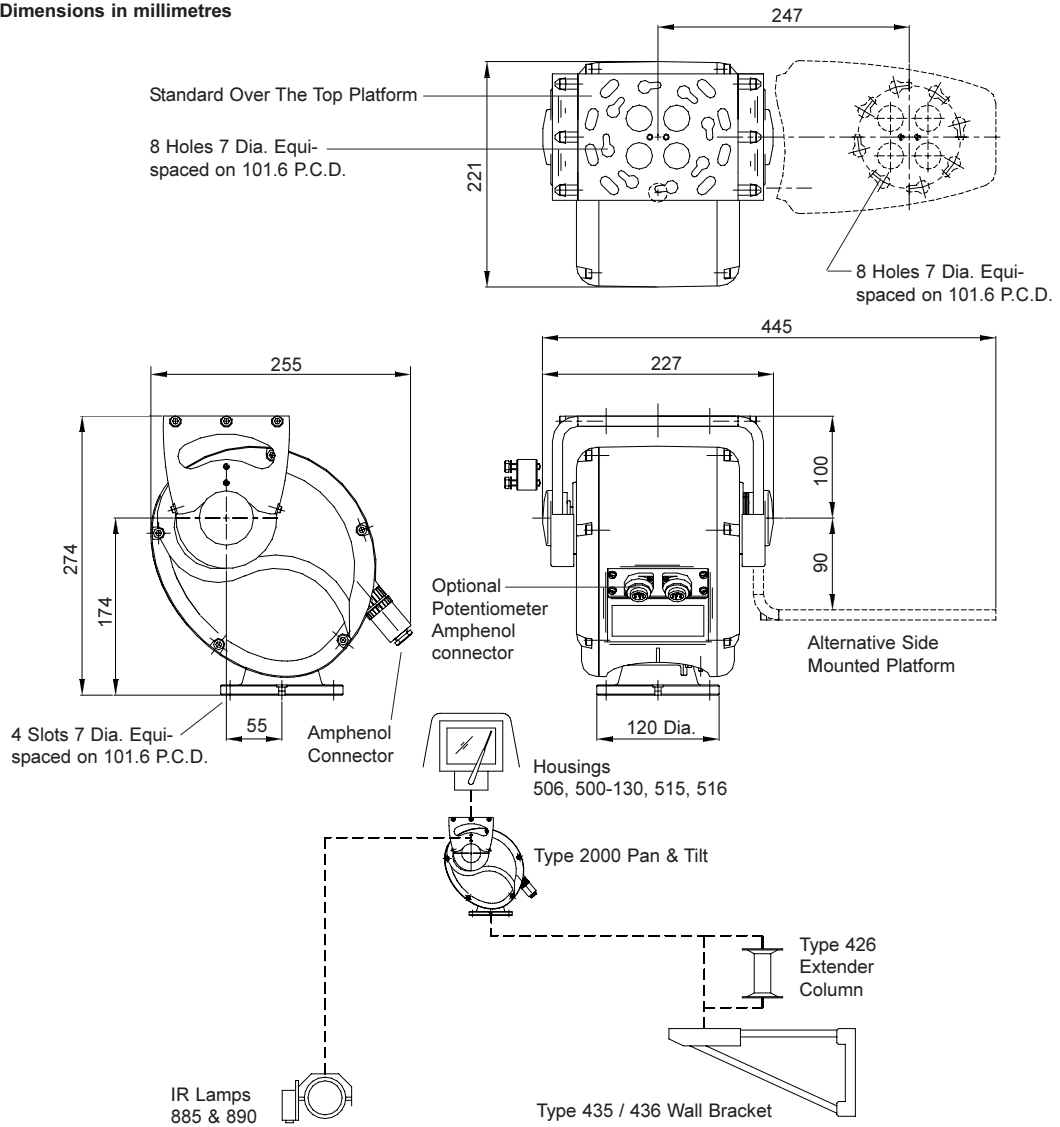
### Build Options

- /A Autopan. (fitted in the unit)
- /PP Pan Potentiometers.
- /TP Tilt Potentiometers.
- /PE Pan Encoder.
- /CR Constant Rotation.
- /LT Low Temperature (-30°C).
- /12° Fast Pan Speed.
- /SP Side Platform.

**DENNARD SUPPORT LINE +44 (0) 1252 614884**

**Fax: 01252 828013**

All Dimensions in millimetres



**Specifications**

Maximum Load:	20kg
Pan Movement:	5° to 350°
Tilt Movement:	+20° to -90°
Pan Speed:	7.5°/sec.
Tilt Speed:	3°/sec.
Pan Torque:	150kg cm
Tilt Torque:	400kg cm
Operating temperature:	-20°C to +55°C
Backlash:	0.5° maximum (anti backlash final pan gear).
Weight:	7.5kg
Finish:	Powder coated & stoved.
Power consumption:	24 VA total.
Connection:	Multipole connector(s).
Environmental protection:	BS. EN.60529 Level IP66 (no water ingress)



55 Fleet Road, Fleet, Hants, England. Tel: 01252 614884 Fax: 01252 626013

Web Site Address: [www.dennard-cctv.com](http://www.dennard-cctv.com)

