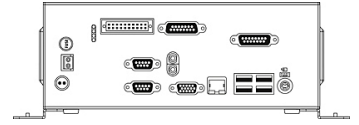


# VideoNetBox



# VIDEO NETBOX®



The VideoNetBox, VNB, is a compact hybrid audio and video recorder with up to 8 free allocatable video channels (IP or analogue), designed for wall mounting. Using a release code the basic version with 2 video channels can be activated by blocks of another 6 free allocatable video channels at a time.

Its compact and robust design allows the recorder to be used ad-hoc.

- Up to 8x free allocatable video channels (SD/HD)
- PentaplexPlus functionality: Simultaneous real-time recording, streaming, live display, playback and remote access <sup>1)</sup>
- Video compression: H.264, MPEG-4, MJPEG
- Audio compression: G.722, MPEG-1 Layer 2
- Bit rate up to 2 Mbps with analogue cameras, up to 6 Mbps with IP cameras
- Frame rate per channel up to 25 fps with analogue cameras, up to 12.5 fps with IP cameras
- Resolutions: SD, HD (720p, 1080i, 1080p), up to 8 MP
- Evaluation with VideoNetView, PView 7 or SeMSy® via Ethernet
- Integrated management software VideoNetView
- Integrated SmartFinder and privacy zones for analogue cameras
- Integrated motion detection for analogue and Dallmeier IP cameras
- Live browser access and integrated UTC compatibility
- Configuration and commissioning via Ethernet (NetConfig)
- 12V DC voltage output for camera supply
- Hard disks: up to 2x 2.5" HDDs (optional)
- Linux operating system on Flash memory
- DIN EN 50130-4 compliant

<sup>1)</sup> Only video recording, live display and playback of IP cameras only via VideoNetView or PView 7

Variants		Options	Activations
Item number		Item number	Item number
022.001.000.002	VNB without HDDs 2x free allocatable video channels  Minimum order quantity: 32 units	002.000.02 Wall mount bracket for VPI-8, for the installation of 2x single devices	000.205.FS SEDOR® camera sabotage protection
		100.095 PRemote advance and SEDOR® camera sabotage protection activations (ex factory), incl. Multi Display Board for the use of PRemote advance	022.001.2FS Activation of additional 2 free allocatable video channels (VNB)
		200.517.8 VPI-8, Video Power Inserter for the cabling of analogue cameras, power supply, video signal and RS485 interface via a CAT cable	200.117.01FS PRemote PDA for VideoNetBox PRemote advance required
		100.034 DNI-1 basis set, for the connection of an external data interface (such as ATM, access control, cash register, etc.)	200.118FS PView / PRemote live split recording
		100.039 Power supply unit for DNI interfaces and TA-24	200.230.FS Activation of the internal video player

\* Trademarks which are designated by ® are registered trademarks of Dallmeier electronic.

## Technical specifications

Standard / max. video channels	2x / 8x video channels (analogue or IP)
Supported cameras	Analogue and IP cameras of Dallmeier and of third party, incl. megapixel and high-definition cameras
Operating mode	PentaplexPlus: recording, streaming, live display, playback, remote access
Recording mode	Permanent, motion, contact, timer
Split display (analogue channels)	1, 4, 9 (only via VideoNetView and PView 7)
Split display (IP channels)	1, 4, 9 (only via VideoNetView and PView 7)
Display resolution	D1, 4CIF, Half D1, 2CIF, CIF, QCIF
Recording resolution	SD, HD (720p, 1080i, 1080p), up to 8MP
Frame rate per analogue channel	With 2 activated channels: up to 25 fps with 4CIF With 4 activated channels: up to 12 fps with 4CIF With 6 activated channels: up to 3 fps with 4CIF With 8 activated channels: up to 3 fps with 4CIF
Frame rate per IP based channel	6.25 / 12.5 fps
Max. bit rate	Up to 48 Mbps
Bit rate per analogue channel	With 2 activated channels: up to 2 Mbps With 4 activated channels: up to 2 Mbps With 6 activated channels: up to 1,5 Mbps With 8 activated channels: up to 1,5 Mbps
Bit rate per IP based channel (SD)	Up to 4 Mbps
Bit rate per IP based channel (HD)	Up to 6 Mbps

### Integrated / optional functions

Management software	VideoNetView
Configuration software	NetConfig
PRemote advance	Optional activation
UTC compatibility	Integrated
Privacy Zones	Integrated
Motion detection	Integrated
SmartFinder	Integrated
SEDOR® camera sabotage protection	Optional activation
Track modes	Standard, automatic, manual
Audio for all channels	Optional activation
DCCP -Dallmeier Camera Control Protocol-	Integrated
SNMP (SI-package SYS-Watch)	Integrated
Activation of further channels	Up to 3x 2 freely allocatable video channels

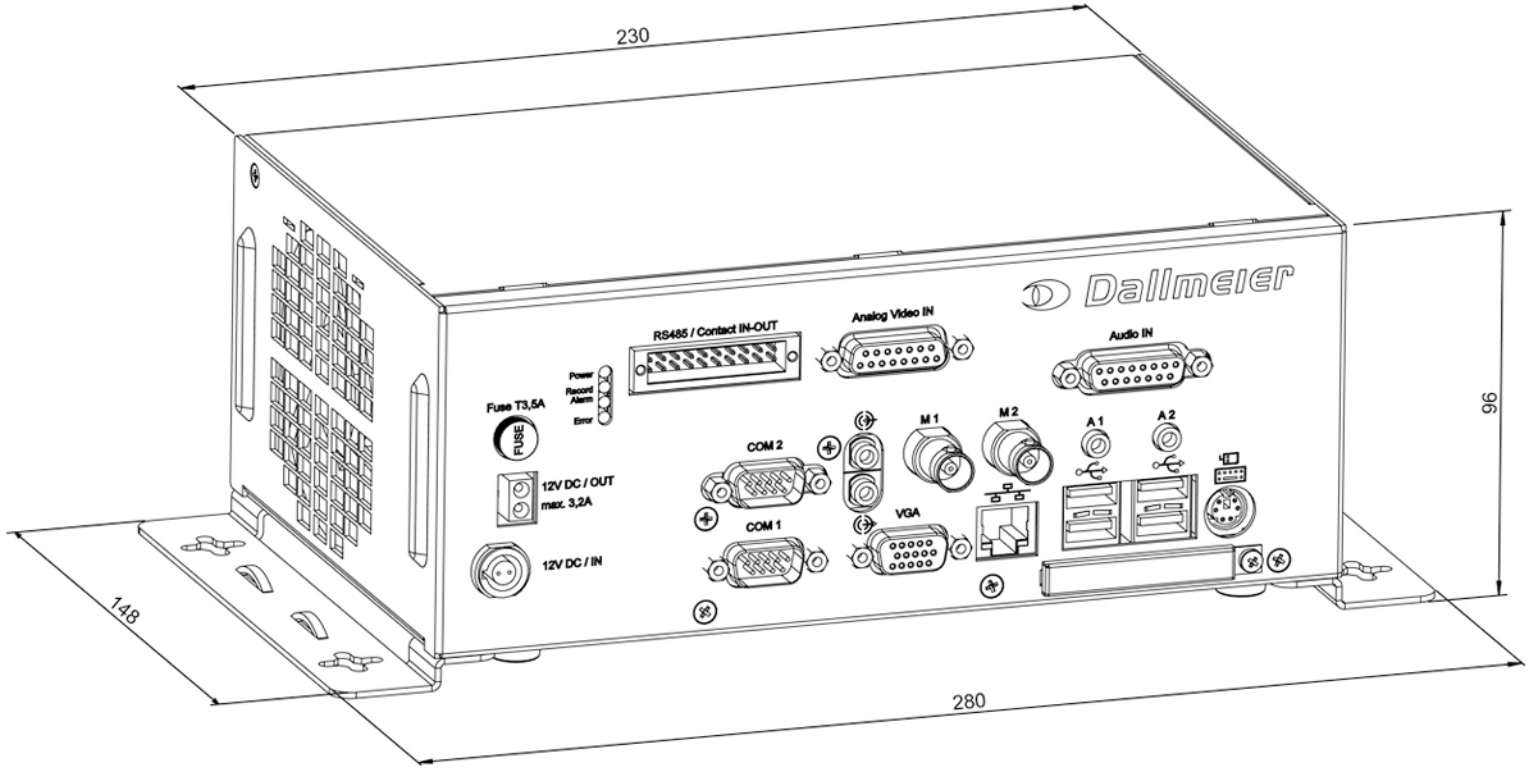
### Interfaces

Video outputs	1x VGA (only for configuration)
Audio inputs	8x
Aux-Line IN/Mic IN/Audio OUT	1x 3.5 mm phone jack / - / 1x 3.5 mm phone jack
Ethernet	1x RJ45, 10/100/1000 Mbps
Ethernet protocols	IPv4, TCP, UDP, ARP, ICMP, DHCP, NTP, HTTP, RTSP
Contact IN / Relay OUT	12x, each 4 functions / 2x, configurable as NO or NC
Serial / USB / PS/2	2x RS232, 1x RS485 / - / 4x USB 2.0 / mouse, keyboard

### Further specifications

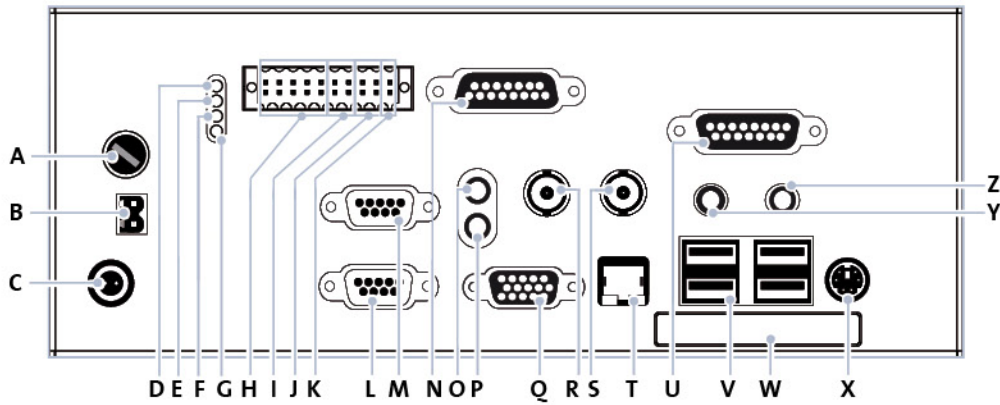
Hard disks	Max. 2x 2,5" HDD (optional)
Max. storage capacity	Up to 1 TB
Video norm	SDTV (PAL/NTSC)
Voltage supply	12V DC +/- 5%
Power consumption	Max. 55 W
Heating power	Max. 188 BTU/h
Dimensions (W x H x D)	Approx. 230 x 85 x 150 mm
Operating temperature	5° - 40° C, 20° - 25° C recommended
Humidity	5 - 70% RH non-condensing
Atmospheric load	Dust-free
Weight	Approx. 4 kg
Fan	1x with automatic speed adaptation
Voltage output	12V DC +/- 5% (max. 3.2 A) (for max. 2 cameras / 20 m)
Operating system	Linux
Languages	German, English, French, Spanish (others on request)
Approvals/certifications	CE

VideoNetBox  
Technical drawings



[mm]

The number of the connections can differ depending on the ordered equipment or device variant. The following description refers to a device with full equipment and optional connectors.



- |   |   |
|---|---|
| <p><b>A Fuse</b><br/>5 x 20 mm, type T, 3,5 A</p> <p><b>B 12V DC OUT</b><br/>Weidmüller socket, 2-pole, 12V DC +/- 5% (3,2 A max.)</p> <p><b>C Power supply 12V DC</b><br/>ODU socket, 2-pole, 12V DC +/- 5%</p> <p><b>D Status LED (Power)</b><br/>Blue / The recorder is in operation.</p> <p><b>E Status LED (Record)</b><br/>Green / The recorder is recording.</p> <p><b>F Status LED (Alarm)</b><br/>Orange / The recorder is in alarm state.</p> <p><b>G Status LED (Error)</b><br/>Red / the recorder indicates an error.</p> <p><b>H Contact IN cameras (1-8)</b><br/>8 pins on Weidmüller 20 pins</p> <p><b>I Contact IN global (1-4)</b><br/>4 pins on Weidmüller 20 pins</p> <p><b>J Relay OUT (1 and 2)</b><br/>4 pins on Weidmüller 20 pins</p> <p><b>K Serial interface</b><br/>2 pins on Weidmüller 20 pins, RS485 (for Dallmeier PTZ domes only)</p> <p><b>L Serial interface COM 1</b><br/>D-SUB, 9 pins, RS232</p> <p><b>M Serial interface COM 2</b><br/>D-SUB, 9 pins, RS232</p> | <p><b>N Video IN (1-8)</b><br/>D-SUB, 15-pole, 1 kOhm, 2.828 Vpp (for D-SUB/BNC adapter cable)</p> <p><b>O AUX / Line IN</b><br/>3,5 mm phone jack, 16 kOhm, 2.828 Vpp (for intercom)</p> <p><b>P Audio OUT</b><br/>3,5 mm phone jack, 1 kOhm, 2.828 Vpp (for intercom)</p> <p><b>Q Video OUT VGA</b><br/>Mini-D-SUB, 15-pole, VGA, 1024 x 768 (only configuration, no video)</p> <p><b>R Not active</b><br/>BNC,</p> <p><b>S Not active</b><br/>BNC,</p> <p><b>T Ethernet interface</b><br/>RJ45, 10/100/1000 mbps</p> <p><b>U Audio IN (1-8)</b><br/>D-SUB, 15-pole, 1 kOhm, 2.828 Vpp (for D-SUB/Cinch adapter cable)</p> <p><b>V USB interface</b><br/>4x USB 2.0, type A</p> <p><b>W Flash memory</b><br/>CF card, type 1</p> <p><b>X Mouse / Keyboard</b><br/>PS/2, black (direct connection or via mouse + keyboard adapter)</p> <p><b>Y Not active</b><br/>3,5 mm phone jack</p> <p><b>Z Not active</b><br/>3,5 mm phone jack</p> |
|---|---|