

MDF3000A-CS-DN



The MDF3000A-CS-DN is a HiRes UWDR Cam_inPIX® colour module camera.

- Horizontal resolution: 540 TV lines
- 1/3" DPS* sensor with Cam_inPIX® technology
- Digital Pixel System* chipset
- Pure 17-bit Digital Signal Processing
- High sensitivity for low-light images at F0.95, 50IRE: 0.5 lux and (-DN) 0.2 lux
- Progressive image capture
- Progressive With Segmented Frames (PsF) image data transmission
- ICR function for Day/Night switching
- Advanced noise reduction
- Enhanced image quality by means of numerous control functions like AWB, AGC, BLC and extended slow shutter
- HiRes vari-focal lens with F0.95/ f=2.8-8mm
- Configuration via UTC commands
- Compact and lightweight camera housing
- Versatile and adjustable mounting device
- DIN EN 50130-4 compliant

Variants	
Item number	
200.400.3.100	MDF3000A-CS-DN PAL / Day-Night/ not suitable for IR lighting HiRes vari-focal lens F0.95/ 2.8-8mm
200.400.3.101	MDF3000A-CS-DN PAL / Day-Night/ suitable for IR lighting HiRes vari-focal lens F0.95/ 2.9-8mm
200.400.3.200	MDF3000A-CS-D CasinoCam PAL / Day HiRes vari-focal lens F0.95/ 2.8-8mm

Options	
Item number	
100.043	Voltage converter 24V AC on 12V DC
200.433	Privacy Zone Box, for analogue cameras
200.440	PicoRemote, UTC Remote Box for analogue Cam_inPIX® cameras
100.042	Universal power pack 110-240V AC / 12V DC, removable adapter EU/UK/US/AUS
200.434.1.001	MicroStreamer-PoE, PAL / grey

* Digital Pixel System is a trademark or registered trademark of the company Pixim, Inc. headquartered in Mountain View, California, USA., DPS is a trademark or registered trademark of the company Pixim, Inc. headquartered in Mountain View, California, USA., Trademarks which are designated by an © are registered trademarks of Dallmeier electronic.

Technical specifications

Sensor	1/3" CMOS sensor with Cam_inPIX®
Signal Processing	17-bit Digital Signal Processing
Dynamic range	102 dB typical - 120 dB max
Image capture	Progressive
Transfer format	PxF -Progressive With Segmented Frames
Image resolution	720 H x 540 V pixels
Horizontal resolution	540 TV lines
B/W and colour mode	Colour mode also in night mode selectable
Day/Night functionality	Mechanical ICR function for Day/Night switching
Light sensitivity	At F0.95, 50IRE: 0.5 lux, (DN) 0.2 lux
Zoom	Digital 4x
Slow Shutter	Up to 8x
Signal to noise ratio (SNR)	> 48 dB
Brightness adjustment (ALC/AE)	Automatic / manual
Backlight compensation (BLC)	Adjustable backlight zone
Automatic gain control (AGC)	Brightness and gain limit adjustable 0-48 dB
Gamma correction	Automatic / manual
Adjustable white balance	ATW, AWB, MWB (2000K to 11000K)
Synchronisation	Internal
AE presets	7 presets
Configuration	Outlined OSD: remote-controlled via UTC commands
Languages	English
Signal format (video)	CVBS, 75 Ohm
Privacy zones	Via Privacy Zone Box

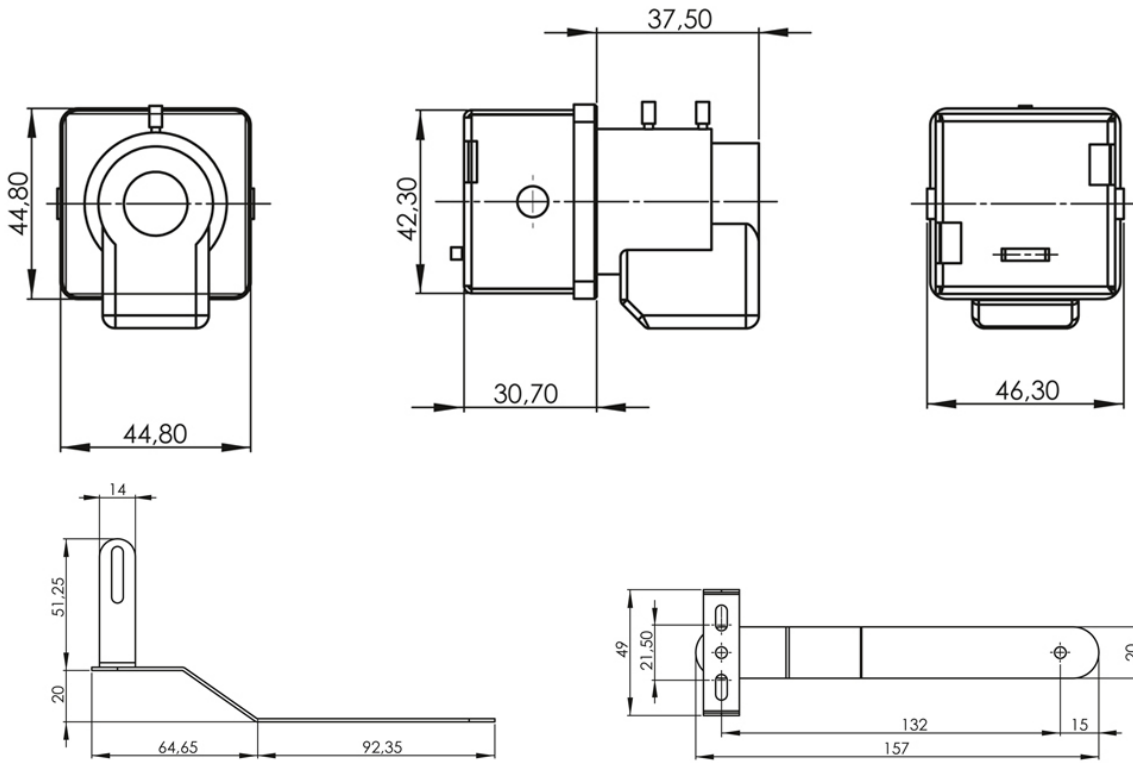
Lens specifications

Mount	CS mount, C mount with 5 mm adapter
Iris range/ focal length range	F0.95/ 2.8-8 mm -D-
Iris control	DC auto Iris
Horizontal angle of view	Wide end: 99°, tele end: 35°
IR filtering	Integrated IR Cut filter
Lens variants	F0.95/ 2.9-8 mm, IR corrected -DN-
CasinoCam camera variants	With the lens F0.95/ 2.8-8 mm

Further specifications

Video norm	SDTV (PAL/NTSC)
Video outputs	1x CVBS/BNC
Voltage supply	12V DC +/- 10%
Power consumption	Max. 2 W
Dimensions	Approx. W 47 x H 45 x L 71 mm
Weight	Approx. 146 g
Operating temperature	-10°C - 45°C, recommended 0°C - 35°C
Humidity	0% - 90% RH non-condensing
Approvals/certifications	CE, FCC, ACA, CB, UVV-Kassen, DIN EN 50130-4

MDF3000A-CS-DN
Technical drawings



[mm]