

# DMX 800

Hybrid VideoIP Appliance, 24 Channels, 1080p, 10x 2.5" HDD, 2 HU, max. 80 W

SMALL · SMART · GREEN



The **DMX 800** Smatrix is a hybrid VideoIP appliance with integrated storage system. Using a licence code the basic version with 8 free configurable video channels (analogue/ SD-IP/ HD-IP) can be expanded by up to 8 further free configurable video channels. Up to 8 IP based video channels (SD-IP/ HD-IP) can be activated additionally.

The **DMX 800** is characterised by its space-saving design as well as by its low power consumption and low thermal output. It is ideally suited for applications requiring high-speed recording, expanded storage capacity and low power consumption while ensuring maximum security. It can be installed and operated in a 19" rack using the included 19" bracket.

Hybrid Appliance	Up to 24 Channels	Low Power Consumption	Storage System	RAID System (optional)
<ul style="list-style-type: none"> <li>Up to 24 video channels (16 channels analogue/ SD-IP/ HD-IP and 8 channels SD-IP/ HD-IP)</li> <li>Simultaneous real-time<sup>1)</sup> recording, real-time streaming, remote access, live display, playback<sup>2)</sup></li> <li>Video compression H.264, MPEG-4, MJPEG</li> <li>Audio compression MPEG-1 Layer 2</li> <li><b>Real-Time Recording 25 fps (optional)</b></li> <li>Resolution SD (up to D1), HD (up to 1080p), megapixel (up to 8MP)</li> <li>Supports RTSP cameras</li> </ul>				<ul style="list-style-type: none"> <li>Suitable for LDAP user management</li> <li>Configuration and recording of ONVIF compliant cameras<sup>3)</sup></li> <li>Integrated motion detection for analogue and Dallmeier IP cameras</li> <li>Easy-change functionality for hard disk drives (hot-swap)</li> <li><b>RAID functionality<sup>4)</sup> with level 5 (optional)</b></li> <li>Linux operating system (proprietary and hardened) on flash memory</li> <li>19" bracket included in delivery</li> <li>Prepared for redundant power supply unit (optional, ex factory only)</li> <li>Low power consumption max. 80W</li> </ul>

Variants	
003216.401	<b>DMX 800</b> Without HDDs, 8 freely configurable video channels (analogue/ SD-IP HD-IP)
003216.402	<b>DMX 800</b> Without HDDs, 16 freely configurable video channels (analogue/ SD-IP/ HD-IP)

Options	
003390	<b>HDD 500 GB, SATA, 2.5" (Toshiba)</b>
003388	<b>DPS Redundant Power Supply Set</b> Mounting set for redundant power supply unit (DPS Mounting Kit + DPM-150W Power Supply Unit) - ex factory only
002818	<b>DPM-150W</b> Power supply module 150 W, 115/230 V AC +/- 5%, 50/60 Hz (DMX)

Licenses	
000126	<b>DLC - 2 Freely Configurable Channels (DMX)</b> License for 2 additional freely configurable channels (analogue/ SD-IP/ HD-IP)
000560	<b>DLC - 2 Additional IP Based Channels (DMS, DMX)</b> License for 2 additional IP based channels for a device with 16 freely configurable channels
000561	<b>DLC - 4 Additional IP Based Channels (DMS, DMX)</b> License for 4 additional IP based channels for a device with 16 freely configurable channels
000562	<b>DLC - 8 Additional IP Based Channels (DMS, DMX)</b> License for 8 additional IP based channels for a device with 16 freely configurable channels
000162	<b>DLC - Day/Night Remote Switching</b> Day/Night switching of analogue Dallmeier cameras via Contact IN/Coax
003223	<b>DLC - Real-Time Recording (DMX 800)</b> Real-time recording for all analogue and IP channels, regardless of the resolution
000267	<b>DLC - Audio Recording For All Analogue Channels</b> License for the use of audio recording for all analogue channels
000168	<b>DLC - 1 Analysis Channel SmartFinder Advance</b> License for the use the analysis function "Static Objects" for one channel
000273	<b>DLC - DualStreaming<sup>3)</sup></b> License for video recording and video streaming with different quality
002778	<b>DLC - Multicast streaming (DMX)</b> License for the use of multicast streaming via SeMSy® III
000022	<b>DLC - RAID 5<sup>4)</sup></b> License for recording with RAID 5
002780	<b>DLC - PRemote HD (DMS, DMX, DLS, DVS)</b> License for the transmission of SD and HD video at low bandwidth
003225	<b>DLC - Software Maintenance 12 Month<sup>3)</sup></b> Enables the implementation of recorder software updates for 12 months
003174	<b>DLC - ViProxy (DMS, DVS, DMX)</b> License for the use of the second Ethernet interface

1) In connection with licence DLC - Real-Time Recording only  
 2) Live display, playback, and remote access with SeMSy® or PView7 via Ethernet  
 3) Function in preparation

4) Using the RAID configuration a connection to an UPS is necessary  
 5) Daily prices of hard disks can be found in the Dallmeier Partner Forum.

# DMX 800

Hybrid VideoIP Appliance, 24 Channels, 1080p, 10× 2.5" HDD, 2 HU, max. 80 W

## Specifications

Max. video channels	24× channels (16× analogue/ SD-IP/ HD-IP and 8× SD-IP/ HD-IP)
Supported cameras	Analogue and IP cameras of Dallmeier and of third-party supplier incl. megapixel and HD cameras
Video/audio compression	H.264, MPEG-4, MJPEG / MPEG-1 Layer 2
Operating mode	Recording, streaming, live display, playback, remote access via PView7 Light and PView7
Recording resolution	SD, HD (720p, 1080i, 1080p), up to 8 MP
Recording mode	Permanent, motion, contact, timer, variable recording mode (VRM)
Frame rate per analogue channel	Up to 12.5 fps at 4CIF / DCIF / 2CIF / CIF / QCIF
Frame rate per IP based channel	6.25 / 12.5
Max. total bit rate	Up to 64 Mbps
Bit rate per analogue channel	Up to 2 Mbps
Bit rate per IP based channel (SD)	Up to 4 Mbps
Bit rate per IP based channel (HD)	Up to 6 Mbps

## Integrated Functions

Track modes	Automatic, manual
SNMP	Integrated
UTC control	Integrated
Privacy Zones	Integrated (for analogue cameras)
Motion detection	Integrated (for analogue cameras and Dallmeier IP cameras)
SEDOR® camera sabotage protection	Integrated
SmartFinder	Integrated
DCCP – Protocol	Integrated
Audio for IP based channels	Integrated
iPhone server	Integrated (PRemote required)

## Software

Operating system	Linux (proprietary, hardened)
Application	Dallmeier recorder software
Language application	English, German, French, Spanish, Italian (others on request)
External management software	PView7, SeMSy® III
External configuration software	NetConfig2

## Hardware

Flash module	1 GB (for operating system only)
Hard disks	Max. 10× 2.5" HDD (optional)
Max. storage capacity	Currently up to 5 TB (without RAID) Currently up to 4 TB (with RAID 5)
Fan	3× with automatic speed adaptation
Power supply unit 1	Integrated
Power supply unit 2	Optional (ex factory only)

## Interfaces

Video IN	16× CVBS / BNC, 75 Ohm, with loop-through
Video OUT	1× VGA (for configuration only)
Audio IN (cameras)	16× Cinch (via D-SUB/Cinch adapter)
AUX / Line IN	1× 3.5 mm phone jack
Microphone IN	1× 3.5 mm phone jack
Audio OUT	1× 3.5 mm phone jack
USB	3× USB 2.0
Ethernet	1× RJ45, 10/100/1000 Mbps
Ethernet protocols	IPv4, TCP, UDP, ARP, ICMP, DHCP, NTP, HTTP
Contact IN camera	16×, each 4 functions
Contact IN global	6×, each 4 functions
Relay OUT	5×, as NO or NC
Serial	4× RS232 1× RS485
PS/2	–

## Electrical Data

Voltage supply	110/230 V AC +/- 10%, 50/60Hz
Power consumption	Max. 80 W
Thermal output	Max. 273 BTU/h

## Mechanical Data

Dimensions (W x H x D)	Approx. 483 × 88 × 436 mm (19.0 × 3.45 × 17.15 inches)
Weight	Approx. 12 kg (26.45 lb) with 10 HDDs

## Ambient Data

Temperature	+5°C up to +40°C (41°F – 104°F)
Recommended temperature	+20°C up to +25°C (68°F – 77°F)
Humidity	5 – 70% RH, non-condensing
Atmospheric load	Dust-free

## Approvals and Certifications

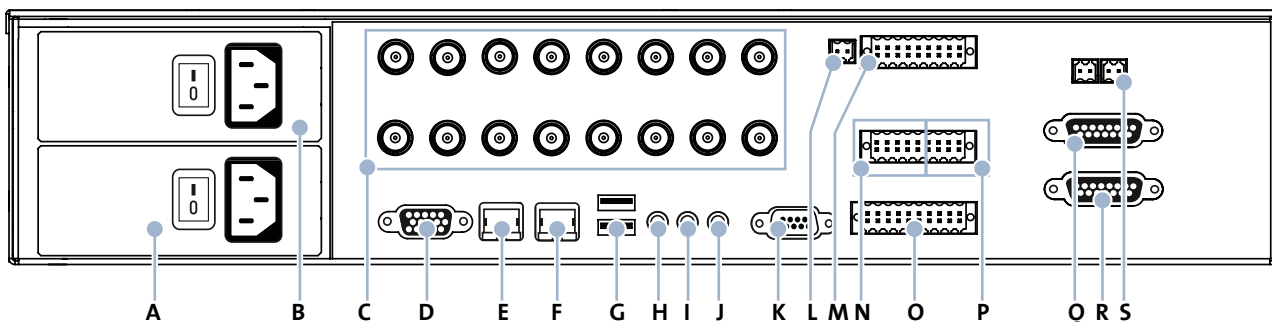
CE, FCC, ACA, DIN EN 50130-4, LGC Forensics

# DMX 800

Hybrid VideoIP Appliance, 24 Channels, 1080p, 10× 2.5" HDD, 2 HU, max. 80 W

## Connections

The number of the connections can differ depending on the ordered equipment or device variant. The following description refers to a device with full equipment and optional connectors.



### A Power Supply Unit 1

IEC C14 socket, 110/230V AC +/-10%, 50/60 Hz

### B Power Supply Unit 2

IEC C14 socket, 110/230V AC +/-10%, 50/60 Hz

### C Video IN (1-16)

BNC, 75 Ohm, 1 Vpp, with loop-through, CVBS

### D Video OUT VGA

Mini-D-SUB, 15 pole, VGA, 1024 x 768 (only configuration, no video)

### E Ethernet Interface 1

RJ45, 10/100/1000 mbps

### F Ethernet Interface 2

RJ45, 10/100/1000 mbps

### G USB Interface

2x USB 2.0, type A

### H AUX / Line IN

3.5 mm phone jack, 16 kOhm, 2.828 Vpp (for intercom)

### I Audio OUT

3.5 mm phone jack, 1 kOhm, 2.828 Vpp

### J Microphone IN

3.5 mm phone jack, red, 4.3 kOhm, 2.828 Vpp (for intercom)

### K Serial Interface COM 2

D-SUB, 9 pins, RS232

### L Not Active

Weidmüller, 2 pins

### M Contact IN Cameras (1-16)

Weidmüller, 18 pins

### N Relay OUT (1-5)

11 pins on Weidmüller 18 pins

### O Serial Interface COM 3 - COM 6

Weidmüller 20 pins, RS232

### P Kontakt IN global (1-6)

7 pins on Weidmüller 18 pins

### Q Audio IN (1-8)

D-SUB, 15 pole, 1 kOhm, 2.828 Vpp (for D-SUB/Cinch adapter cable)

### R Audio IN (9-16)

D-SUB, 15 pole, 1 kOhm, 2.828 Vpp (for D-SUB/Cinch adapter cable)

### S Serial Interface COM 1

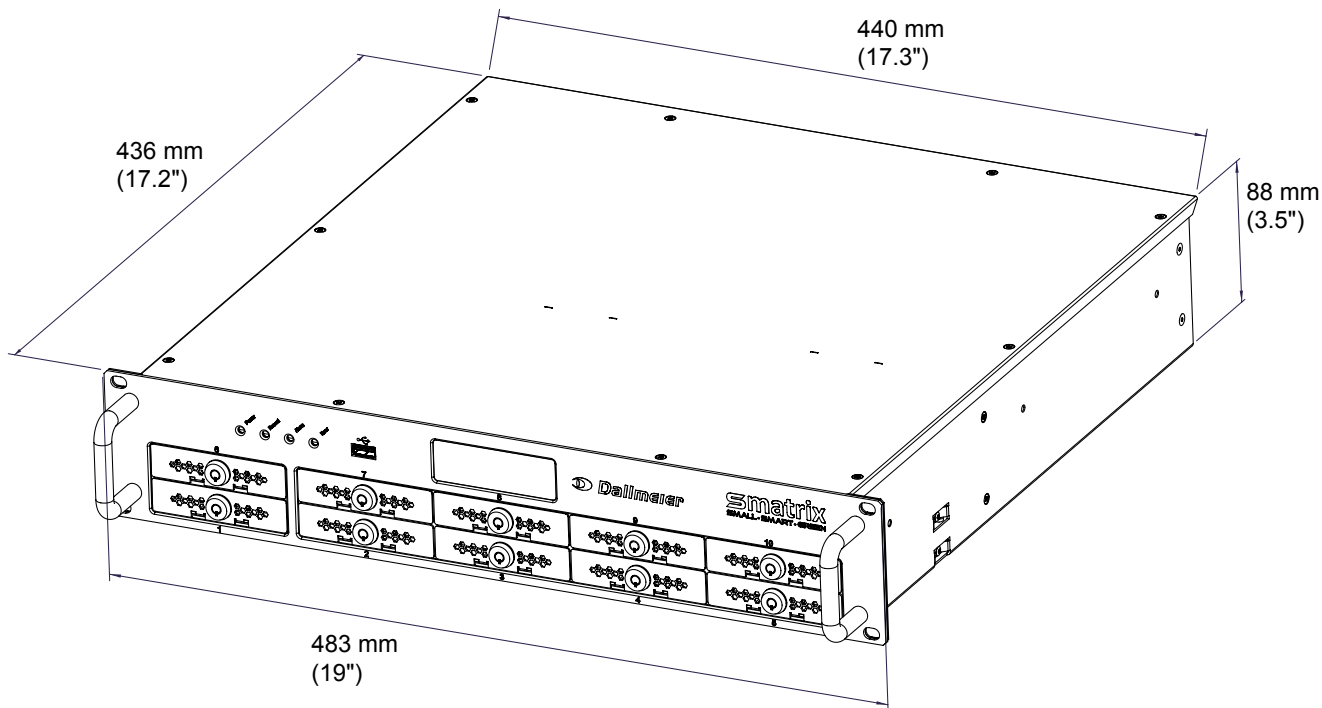
2 × 2 pins, RS485, +/- = left/right (for Dallmeier PTZ dome cameras only)

# DMX 800

Hybrid VideoIP Appliance, 24 Channels, 1080p, 10× 2.5" HDD, 2 HU, max. 80 W

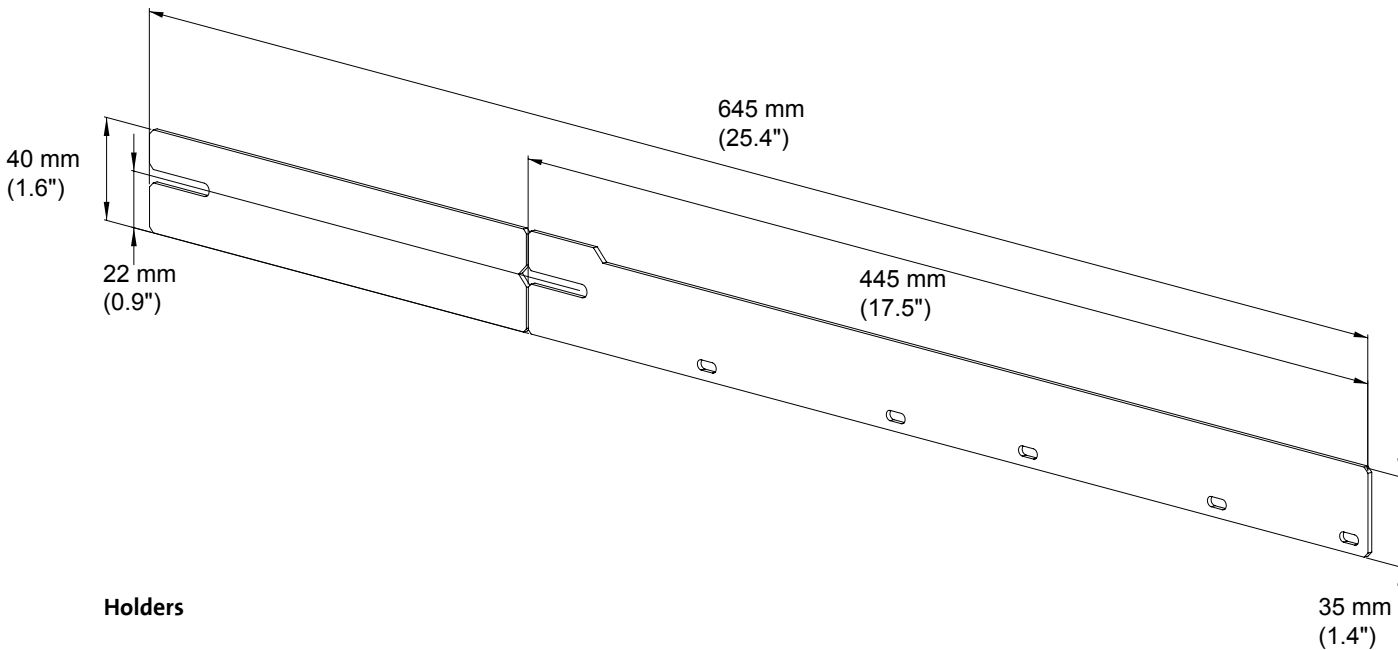
## Dimensions

### Housing



### 19" Bracket

#### Rails



#### Holders

