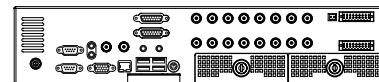


# DLS 16 / DLS 16 Plus

H.264 Recorder, 16 Analogue Channels, 12 fps at CIF/4CIF, max. 2x 3.5" HDD, 2 HU



The **DLS 16** is a H.264 audio and video recorder with up to 16 analogue channels. The variant **DLS 16 Plus** is optimised for recordings with a high frame rate at a high resolution.

The **DLS 16 / DLS 16 Plus** is a stand-alone device and can be installed and operated in a 19" rack using the included 19" bracket.

- Up to 16 analogue video channels
- Simultaneous real-time recording, real-time streaming, remote access, live display, playback
- Video compression H.264
- Audio compression G.722.1
- DLS 16 bit rate up to 1.5 Mbps
- DLS 16 Plus bit rate up to 2 Mbps
- DLS 16 frame rate per channel up to 12 fps at CIF
- DLS 16 Plus frame rate per channel up to 12 fps at 4CIF
- Resolution up to 4CIF
- Evaluation with SeMSy® or PView 7 via Ethernet
- Integrated management software PView 7 Light
- Integrated SmartFinder, Privacy Zones and motion detection
- Integrated UTC compatibility
- Changeable hard disks: up to 2x 3.5" HDDs (optional)
- Easy-Change functionality in case of HDD failure
- Linux operating system on Flash memory
- DIN EN 50130-4 compliant

## Variants

000117	<b>DLS 16</b> Without HDDs, 16x analogue video channels, 12 fps at CIF, max. 2x 3.5" HDD, 2 HU
000118	<b>DLS 16 Plus</b> Without HDDs, 16x analogue video channels, 12 fps at 4CIF, max. 2x 3.5" HDD, 2 HU

## Options

000107	<b>HDD 500 GB, SATA, 3.5"</b>
000077	<b>HDD 1000 GB, SATA, 3.5"</b>
000084	<b>HDD 2000 GB, SATA, 3.5"</b>
000005	<b>19" Bracket (DLS, VNS)</b> Bracket for a 2 HU single device
000139	<b>DNI-1 Basic Set</b> Basic set (2x DNI-1) for connection of external systems
000181	<b>TA-24 MS Multiscreen Keyboard</b> Keyboard for operating CVBS monitors including CVBS split switching
000283	<b>RAID 1</b> RAID 1 for devices with 2x HDDs of the same capacity (only ex factory)
000310	<b>DFM-1 USB</b> Radio clock unit, USB
000497	<b>VPI-8</b> Cabling of analogue cameras (power supply, video signal and RS485 interface) via a CAT cable
001717	<b>VSC-1</b> Video System Controller for controlling of PTZ dome cameras at DMS and DLS recorders
002022	<b>DVD-RW Drive (DLS)</b> DLS4/8/16 DVD-RW burner TEAC DV-W516GD, black

## Licenses

000162	<b>DLC - Day/Night Remote Switching</b> Day/Night switching of analogue Dallmeier cameras via Contact IN/Coax
000267	<b>DLC - Audio Recording For All Analogue Channels</b> License for the use of audio recording for all analogue channels
000271	<b>DLC - VoiceTalk</b> Licence for the use of the bidirectional audio transmission (intercom)
002780	<b>DLC - PRemote HD (DMS, DMX, DLS, DVS)</b> License for the transmission of SD and HD video at low bandwidth

# DLS 16 / DLS 16 Plus

H.264 Recorder, 16 Analogue Channels, 12 fps at CIF/4CIF, max. 2× 3.5" HDD, 2 HU

## Specifications

Video channels	16× analogue video channels
Video norm	PAL / NTSC
Supported cameras	Analogue cameras of Dallmeier and of third-party suppliers
Operating mode	Recording, streaming, live display, playback, remote access via PView7 Light and PView7
Recording mode	Permanent, motion, contact, timer, variable recording mode (VRM)
Video compression	H.264
Audio compression	G.722.1
Recording resolution	4CIF, DCIF, 2CIF, CIF, QCIF
Frame rate per analogue channel	

### DLS 16

Up to 3 fps at 4CIF  
 Up to 4 fps at DCIF  
 Up to 5 fps at 2CIF  
 Up to 12 fps at CIF  
 Up to 25 fps at QCIF  
 Up to 1.5 Mbps  
 4CIF, DCIF, 2CIF, CIF, QCIF  
 1, 4, 9, 13, 16

### DLS 16 Plus

Up to 12 fps at 4CIF  
 Up to 12 fps at DCIF  
 Up to 16 fps at 2CIF  
 Up to 25 fps at CIF  
 Up to 25 fps at QCIF  
 Up to 2 Mbps

Bit rate per analogue channel  
 Display resolution (local)  
 Split display (local)

## Integrated Functions

Track mode	Standard, automatic, manual
SNMP	Integrated
UTC control	Integrated
Privacy Zones	Integrated
Motion detection	Integrated
SmartFinder	Integrated
iPhone Server	Integrated (PRemote required)

## Software

Operating system	Linux (proprietary, hardened)
Application	Dallmeier recorder software
Application language	English, German, French, Spanish, Italian (others on request)
External management software	PView7, SeMSy® III
External configuration software	NetConfig2

## Hardware

Flash module	1 GB (for operating system only)
Hard disks	Max. 2× 3.5" HDD (optional)
Max. storage capacity	Currently up to 4 TB
Drive	DVD-RW (optional)
Fan	2× with automatic speed adaptation

## Interfaces

Camera inputs	16× CVBS / BNC, 75 Ohm, with loop-through
Video outputs	1× VGA 2× BNC / CVBS
Audio inputs (cameras)	16× Cinch (via D-SUB/Cinch adapter)
AUX / Line IN	1× 3.5 mm phone jack
Microphone IN	–
Audio outputs	1× 3.5 mm phone jack
USB	5× USB 2.0
Ethernet	1× RJ45, 10/100/1000 Mbps
Ethernet protocols	IPv4, TCP, UDP, ARP, ICMP, DHCP, NTP, HTTP
Contact IN camera	16×, each 4 functions
Contact IN global	6×, each 4 functions
Relay OUT	5×, as NO or NC
Serial / PS/2	2× RS232 / mouse, keyboard

## Electrical Data

Voltage supply	12 V DC ±5%
Power consumption	Max. 70 W
Thermal output	Max. 239 BTU/h

## Mechanical Data

Dimensions (W × H × D)	Approx. 425 × 88 × 384 mm (approx. 16.73 × 3.5 × 15.12 inches)
Weight	Approx. 10 kg with 2 HDDs (approx. 22.05 lb with 2 HDDs)

## Ambient Data

Temperature	+5°C up to +40°C (41°F – 104°F)
Recommended temperature	+20°C up to +25°C (68°F – 77°F)
Humidity	5 – 70% RH, non-condensing
Atmospheric load	Dust-free

## Approvals and Certifications

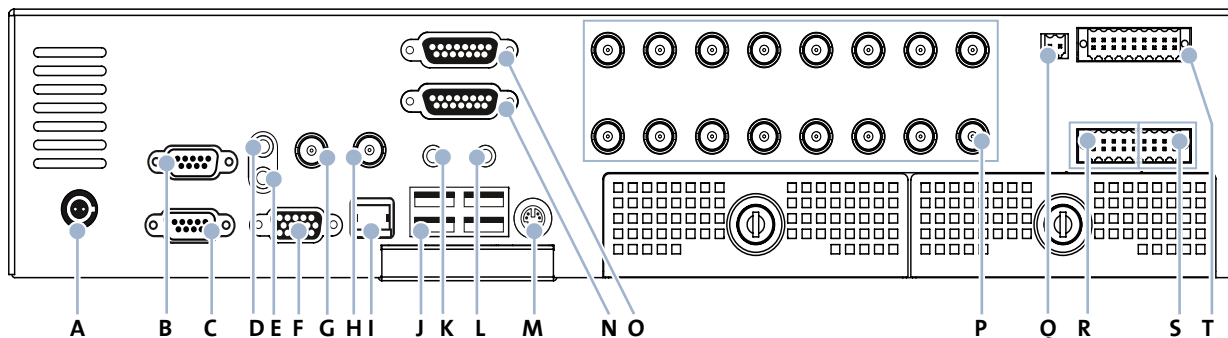
CE, FCC, UL, ACA, CB, DIN EN 50130-4, LGC Forensics

# DLS 16 / DLS 16 Plus

H.264 Recorder, 16 Analogue Channels, 12 fps at CIF/4CIF, max. 2x 3.5" HDD, 2 HU

## Connections

The number of the connections can differ depending on the ordered equipment or device variant. The following description refers to a device with full equipment and optional connectors.



**A Power Supply 12V DC**

ODU socket, 2-pole, 12V DC  $\pm 5\%$

**B Serial Interface COM 2**

D-SUB, 9 pins, RS232

**C Serial Interface COM 1**

D-SUB, 9 pins, RS232

**D AUX / Line IN**

3.5 mm phone jack, 16 kOhm, 2.828 Vpp (for intercom)

**E Audio OUT**

3.5 mm phone jack, 1 kOhm, 2.828 Vpp (for intercom)

**F Video OUT VGA**

Mini-D-SUB, 15-pole, VGA, 1024 x 768 (video and configuration)

**G Video OUT 1**

BNC, 75 Ohm, 1 Vpp, CVBS (only video, no configuration)

**H Video OUT 2**

BNC, 75 Ohm, 1 Vpp, CVBS (only video, no configuration)

**I Ethernet Interface**

RJ45, 10/100/1000 Mbps

**J USB Interface**

4x USB 2.0, type A

**K Not Active**

3.5 mm phone jack

**L Not Active**

3.5 mm phone jack

**M Mouse / Keyboard**

PS/2 (for mouse / keyboard adapter)

**N Audio IN (1-8)**

D-SUB, 15-pole, 1 kOhm, 2.828 Vpp (for D-SUB/Cinch adapter cable)

**O Video IN (1-8)**

BNC, 75 Ohm, 1 Vpp, with loop-through, CVBS

**P Serial Interface**

Weidmüller, 2 pins, RS485 (only for Dallmeier PTZ dome cameras)

**Q Relay OUT (1-5)**

11 pins on Weidmüller 18 pins

**R Contact IN Global (1-6)**

7 pins on Weidmüller 18 pins

**S Contact IN Cameras (1-8)**

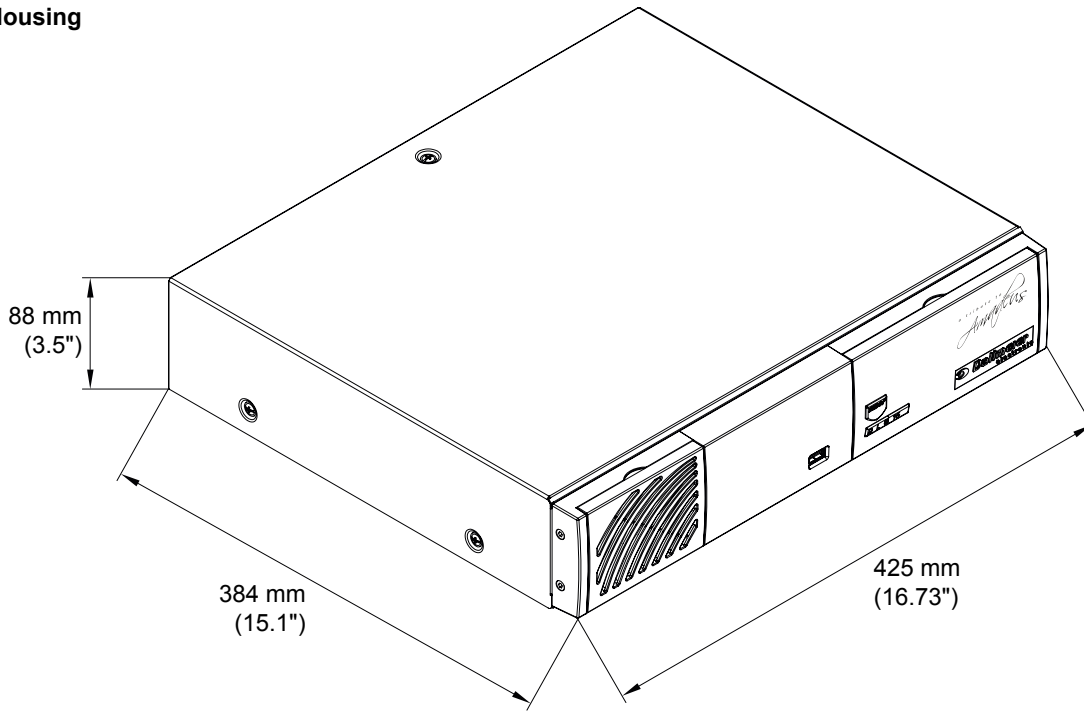
8 pins on Weidmüller 18 pins

# DLS 16 / DLS 16 Plus

H.264 Recorder, 16 Analogue Channels, 12 fps at CIF/4CIF, max. 2× 3.5" HDD, 2 HU

## Dimensions

### Housing



### 19" Bracket

