

DF3000A-DN Box Camera (Day/Night)



The DF3000A-DN is a HiRes UWDR Cam_inPIX® colour box camera.

- Horizontal resolution: 540 TV lines
- 1/3" DPS* sensor with Cam_inPIX® technology
- Digital Pixel System* chipset
- Pure 17-bit Digital Signal Processing
- High sensitivity for low-light images at F0.95, 50 IRE: 0.5 lux and (-DN) 0.2 lux
- Progressive image capture
- Progressive With Segmented Frames (PsF) image data transmission
- ICR function for Day/Night switching
- Advanced noise reduction
- Enhanced image quality by means of numerous control functions like AWB, AGC, BLC and extended Slow Shutter
- Configuration via UTC commands
- Power supply: 12V DC or 24V AC
- Standard version delivered without lens
- DIN EN 50130-4 compliant

Variants	
Item number	
000320.401	DF3000A-DN PAL/NTSC, Day/Night, grey, without lens

Options	
Item number	
000343	Design colour for DF3000A/AS/AXS, DF3000IP-POE Depending on customer demand, housing colour available according to RAL or Pantone colour chart. For enquires, please contact design@dallmeier.com .
000457	PicoRemote Box UTC Remote Box for configuration of analog Cam_inPIX® cameras via coaxial cable
000527	Lens F0.95 / 2.8-8 mm (Fujinon) 1/3", varifocal, Day, DC auto iris, CS-mount
001590	Lens F1.5 / 15-50 mm (Fujinon) 1/3", varifocal, Day, DC auto iris, CS-mount
001591	Lens F0.95 / 2.9-8 mm (Fujinon) 1/3", varifocal, Day, DC auto iris, CS-mount
001677	Power Supply Unit (240V AC -> 24V AC) 1000 mA, Europlug
001678	Power Supply Unit (110 – 240V AC -> 12V DC) Universal power supply, 110 – 240V AC to 12V DC, 850 mA, plug adapter EU/UK/US/AUS
000453.401	MicroStreamer-PoE

* Digital Pixel System / DPS is a trademark or registered trademark of the company Pixim, Inc. headquartered in Mountain View, California, USA., Trademarks which are designated by ® are registered trademarks of Dallmeier electronic.

DF3000A-DN
Box Camera (Day/Night)

Technical specifications

Sensor	1/3" CMOS sensor with Cam_inPIX®
Signal Processing	17-bit Digital Signal Processing
Dynamic range	102 dB typical - 120 dB max
Image capture	Progressive
Transfer format	PsF -Progressive With Segmented Frames
Image resolution	720 H x 540 V pixels
Horizontal resolution	540 TV lines
B/W and colour mode	Colour mode also in night mode selectable
Day/Night functionality	Mechanical ICR function for Day/Night switching
Light sensitivity	At F0.95, 50IRE: 0.5 lux, (-DN) 0.2 lux
Zoom	Digital 4x
Slow Shutter	Up to 8x
Signal to noise ratio (SNR)	> 48 dB
Brightness adjustment (ALC/AE)	Automatic / maunal
Backlight compensation (BLC)	Adjustable backlight zone
Automatic gain control (AGC)	Brightness and gain limit adjusable 0-48 dB
Gamma correction	Automatic / manual
Adjustable white balance	ATW, AWB, MWB (2000K to 11000K)
Synchronisation	Internal, AC Line Lock
AE presets	7 presets
Configuration	Outlined OSD: remote-controlled via UTC commands or at the camera via integrated joystick
Languages	English
Signal format (video)	CVBS, 75 Ohm
Privacy zones	12

Lens specifications

Mount	CS mount, C mount with 5 mm adapter
Iris range/ focal length range	Standard version delivered without lens
Iris control	DC auto iris
IR filtering	Integrated IR Cut filter
Lens variants	F0.95/ 2.8-8 mm -D- F0.95/ 2.9-8 mm, IR corrected -DN- F1.5/ 15-50 mm, IR corrected -DN- Only with the lenses F0.95/ 2.8-8 mm and F1.5/ 15-50 mm

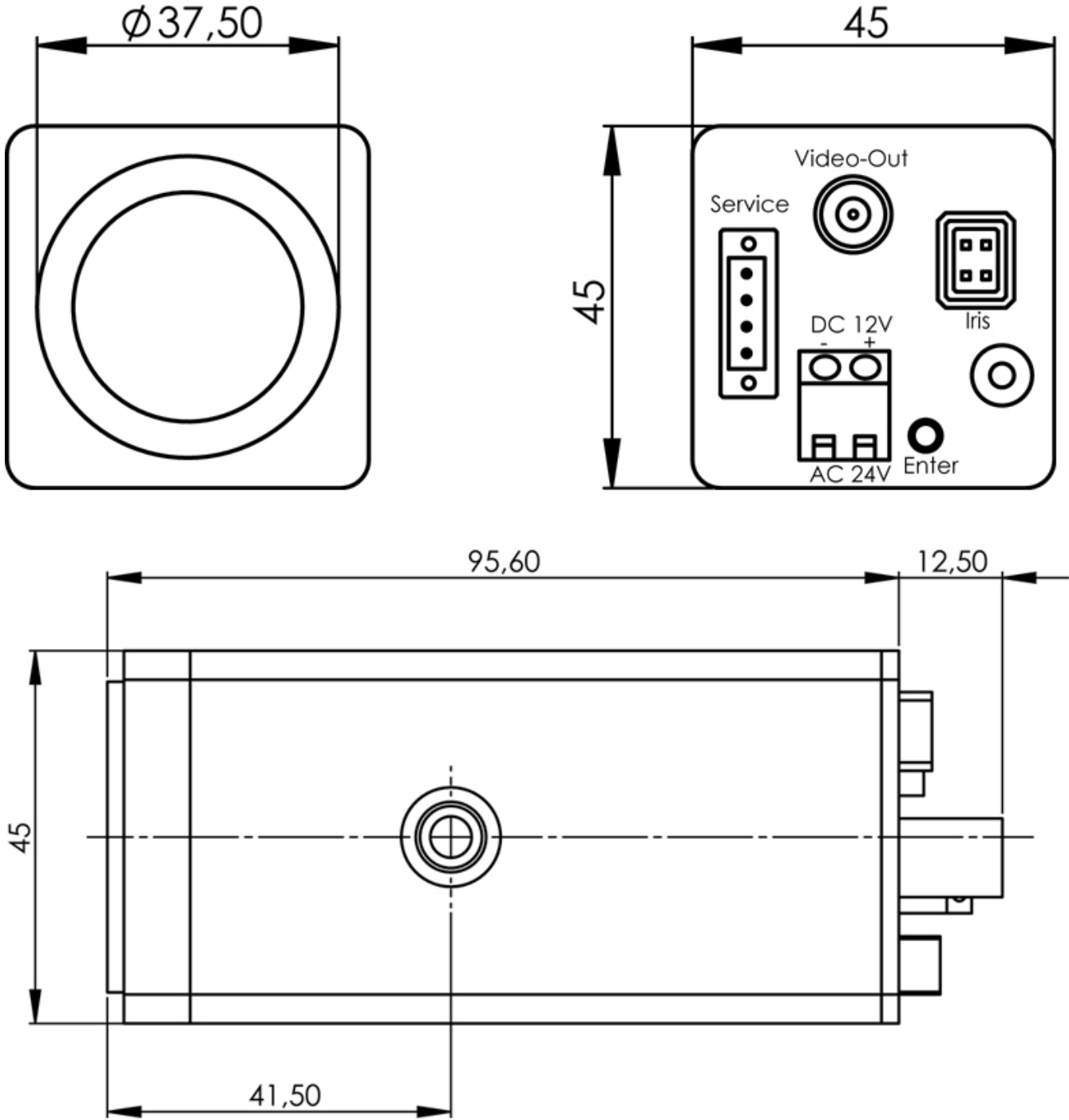
CasinoCam camera variants

Further specifications

Video norm	SDTV (PAL/NTSC)
Video outputs	1x CVBS/BNC
Voltage supply	12V DC, 24V AC +/- 10% (50/60 Hz)
Power consumption	Max. 3 W
Dimensions	Approx. W 45 x H 45 x L 108 mm
Weight	Approx. 220 g
Operating temperature	-10°C - 45°C, recommended 0°C - 35°C
Humidity	0% - 90% RH non-condensing
Approvals/certifications	CE, FCC, UL, ACA, UVV-Kassen, CB, DIN EN 50130-4

DF3000A-DN
Box Camera (Day/Night)

Technical drawings



[mm]